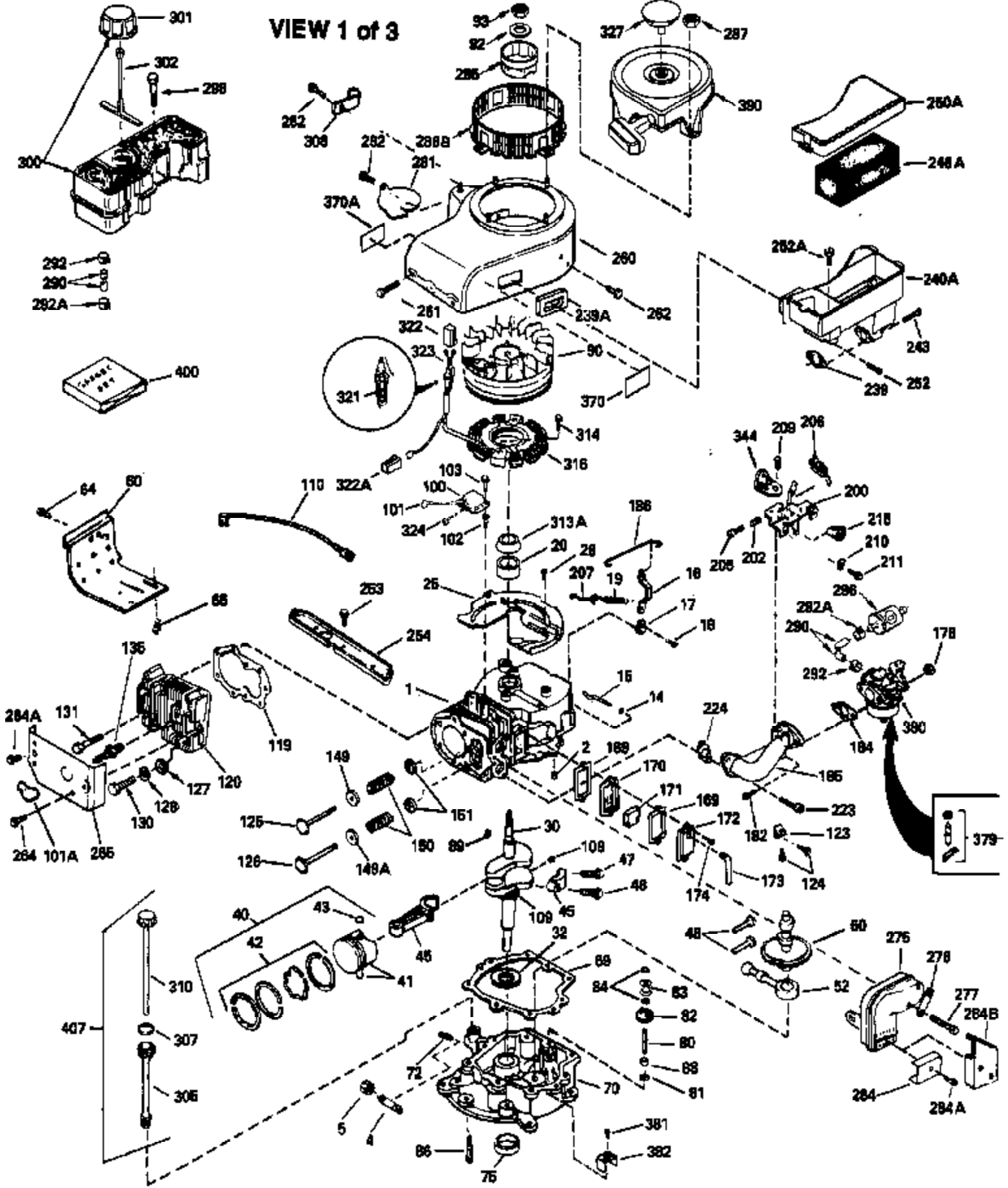


ILLUSTRATION SHOWS TYPICAL PARTS ONLY. ORDER BY PART NUMBER. PARTS NOT LISTED ARE SUPPLIED BY OEM.



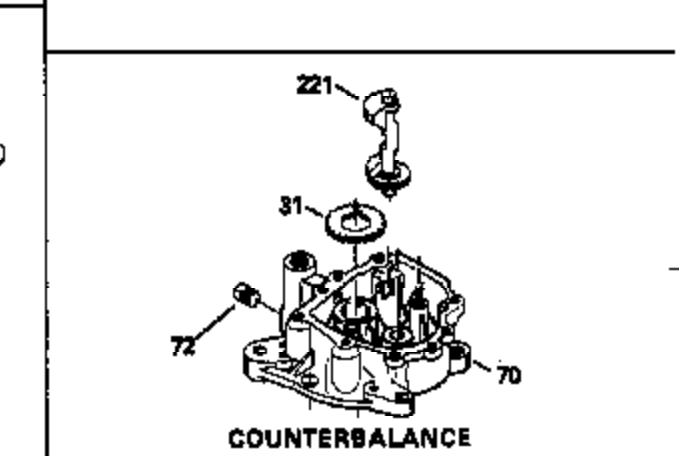
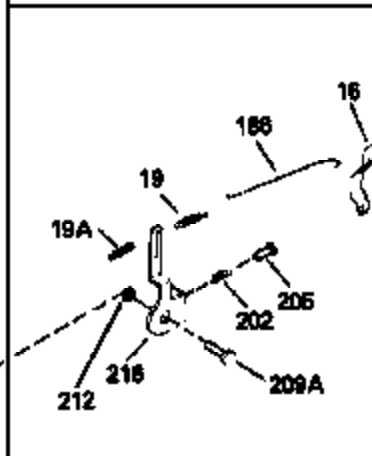
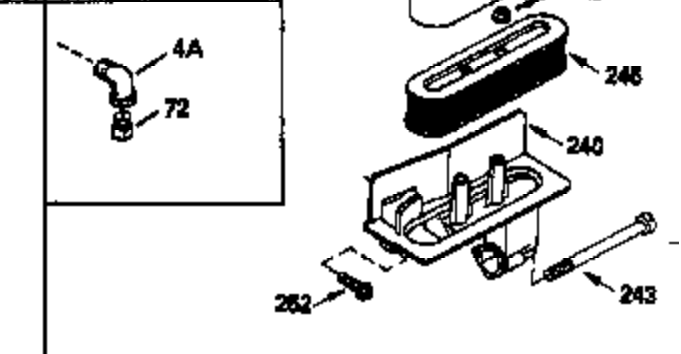
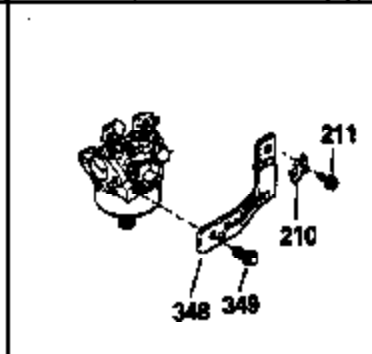
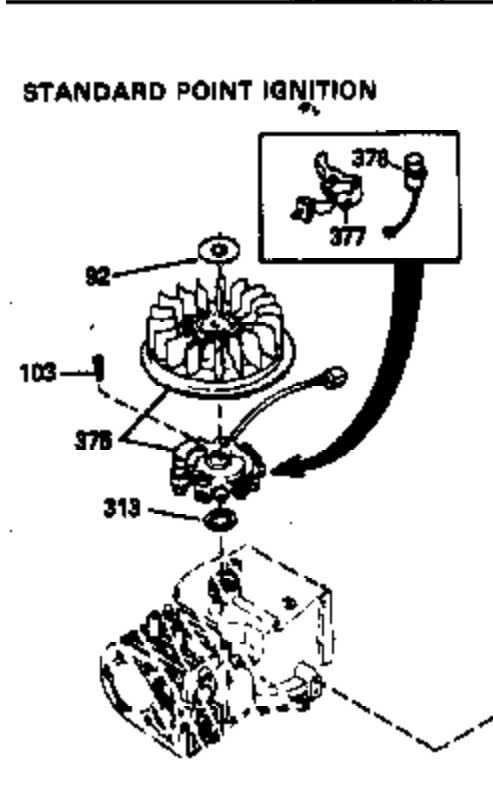
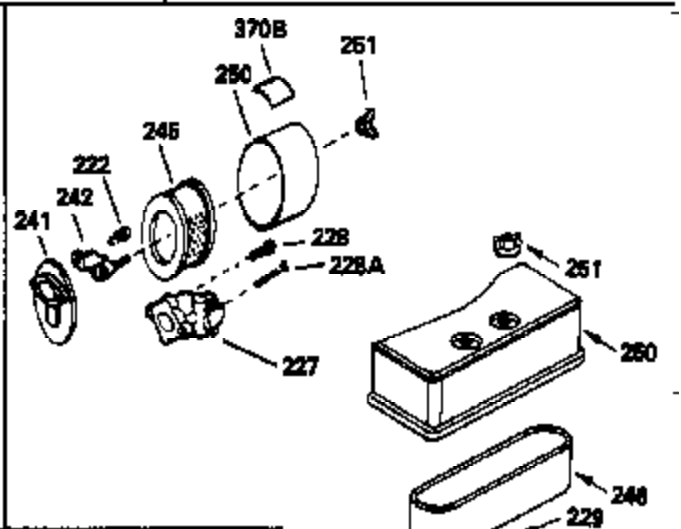
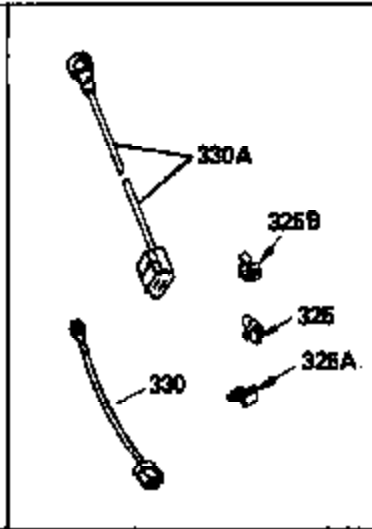
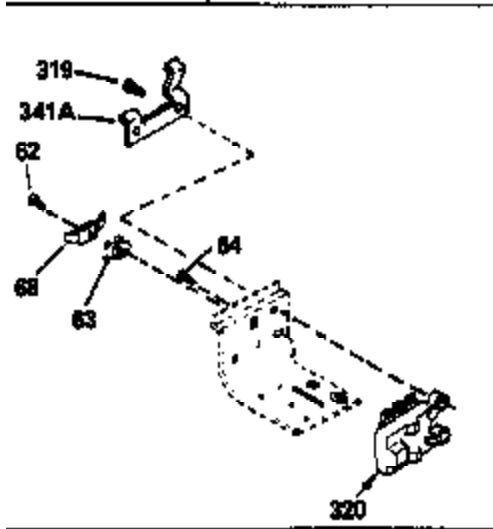
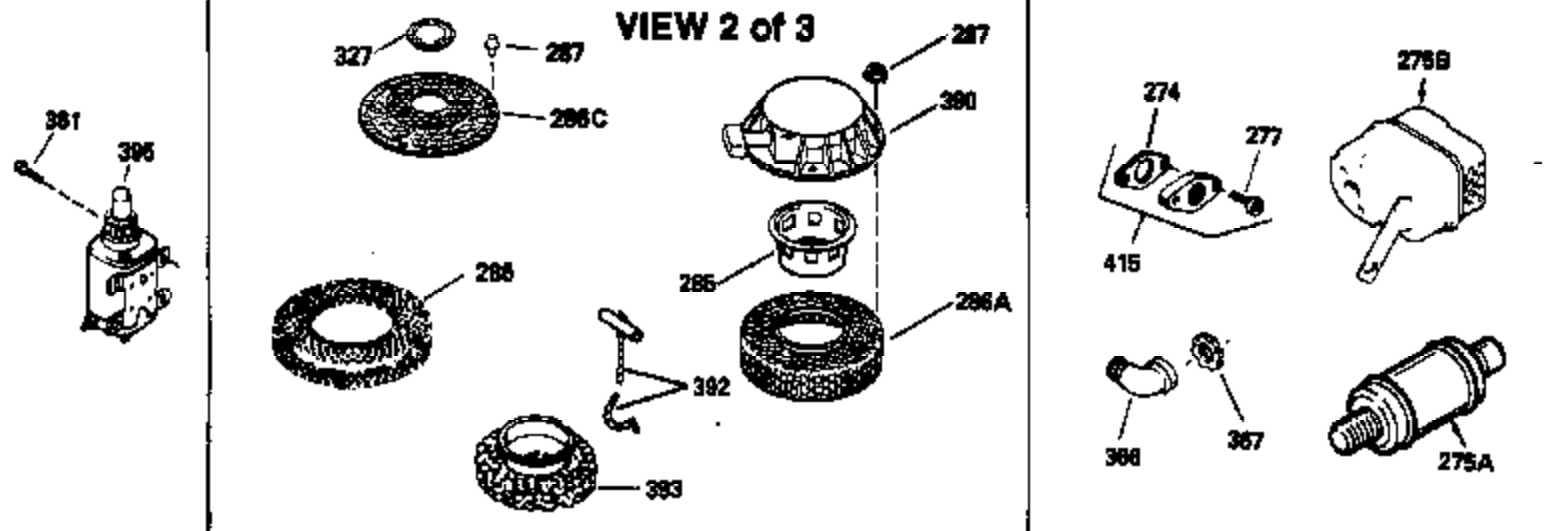
## Engine Parts List #1

| Ref # | Part Number | Qty | Description                                   |
|-------|-------------|-----|---|
| 1     | 34908A      |     | Cylinder (Incl. 2 & 20) (3-5/16" Bore )       |
| 2     | 27652       |     | Pin, Dowel                                    |
| 14    | 28277       |     | Washer, Flat                                  |
| 15    | 33577       |     | Rod, Governor                                 |
| 16    | 32651       |     | Lever, Governor                               |
| 17    | 31335       |     | Clamp, Governor lever                         |
| 18    | 650548      |     | Screw, 8-32 x 5/16"                           |
| 19    | 31361       |     | Spring, Governor                              |
| 20    | 32630       |     | Seal, Oil                                     |
| 25    | 35256A      |     | Baffle, Blower housing                        |
| 26    | 650561      |     | Screw, 1/4-20 x 5/8"                          |
| 30    | 34181A      |     | Crankshaft (Incl. 108 & 109)                  |
| 32    | 35653       |     | Washer (1-3/8" I.D. 1-3/4" O.D. .015" thick)  |
| 40    | 34860A      |     | Piston, Pin & Ring Set (Std.)(3-5/16" Bore)   |
| 40    | 34861A      |     | Piston, Pin & Ring Set (.010" OS)             |
| 40    | 34862A      |     | Piston, Pin & Ring Set (.020" OS)             |
| 41    | 34863       |     | Piston & Pin Ass'y. (Std.)(Incl.43)(3 -5/16") |
| 41    | 34864       |     | Piston & Pin Ass'y. (.010" OS) (Incl. 43)     |
| 41    | 34865       |     | Piston & Pin Ass'y. (.020" OS) (Incl. 43)     |
| 42    | 34866A      |     | Ring Set (Std.) (3-5/16" Bore)                |
| 42    | 34867A      |     | Ring Set (.010" OS)                           |
| 42    | 34868A      |     | Ring Set (.020" OS)                           |
| 43    | 27888       |     | Ring, Piston pin retaining                    |
| 45    | 32591C      |     | Rod Assy., Connecting (Incl. 47)              |
| 47    | 650662C     |     | Bolt, Connecting rod (2 pieces)               |
| 48    | 34034       |     | Lifter, Valve                                 |
| 50    | 34040       |     | Camshaft (MCR)                                |
| 52    | 31356       |     | Pump Assy., Oil                               |
| 60    | 33273A      |     | Extension, Blower housing                     |
| 64    | 30063       |     | Screw, Torx T-30, 1/4-20 x 1/2"               |
| 65    | 650128      |     | Screw, 10-24 x 1/2"                           |
| 69    | 35262       |     | * Gasket, Mounting flange                     |
| 70    | 33580       |     | Flange Ass'y. (Incl. 72, 75, 80 & 81)         |
| 72    | 31927       |     | Plug, Pipe                                    |
| 75    | 31950       |     | Seal, Oil                                     |
| 80    | 30668       |     | Shaft, Mechanical governor                    |
| 81    | 30590A      |     | Washer, Flat                                  |
| 82    | 30591       |     | Gear Assy., Governor (Incl. 81)               |
| 83    | 30588A      |     | Spool, Governor                               |
| 84    | 29193       |     | Ring, Retaining                               |
| 86    | 650833      |     | Screw, 1/4-20 x 1-3/16"                       |
| 88    | 31707A      |     | Governor Spacer Assy. (Incl. 81)              |
| 89    | 32589       |     | Key, Flywheel                                 |
| 92    | 650793      |     | Washer, Flat                                  |
| 92    | 650815      |     | Washer, Belleville                            |
| 93    | 8116        |     | Nut, Hex, 1/2-20                              |
| 101   | 610118      |     | Cover, Spark plug (Use as required)           |
| 103   | 650489      |     | Screw, 1/4-20 x 5/8"                          |
| 108   | 29783       |     | Pin, Crankshaft                               |
| 109   | 33245       |     | Gear, Crankshaft                              |
| 119   | 34923A      |     | * Gasket, Cylinder head                       |
| 120   | 34030       |     | Head, Cylinder                                |
| 123   | 33261       |     | Bracket, Intake pipe                          |
| 124   | 650738      |     | Screw, 1/4-20 x 5/8"                          |
| 125   | 27878A      |     | Exhaust Valve (Std.) (Incl. 151)              |
| 125   | 27880A      |     | Exhaust Valve (1/32" OS) (Incl. 151)          |
| 126   | 34035       |     | Intake Valve (Std.) (Incl. 151)               |
| 126   | 34036       |     | Intake Valve (1/32" OS) (Incl. 151)           |

| Ref # | Part Number | Qty | Description  |
|-------|-------------|-----|--|
| 127   | 650691      |     | Washer, Flat (Do not use with 6021A s crew)  |
| 128   | 650690      |     | Washer, Belleville   |
| 130   | 650694A     |     | Screw, 5/16-18 x 2"  |
| 131   | 6021A       |     | Screw, 5/16-18 x 1-1/2" (Do not use w /650691)   |
| 131   | 650788      |     | Screw, 5/16-18 x 3/4"  |
| 135   | 33636       |     | Resistor Spark Plug  |
| 149   | 27882       |     | Valve Spring Cap   |
| 149A  | 35862       |     | Seal Assy., Intake valve   |
| 150   | 27881       |     | Spring, Valve  |
| 151   | 32581       |     | Valve Spring Keeper  |
| 169   | 27896A      |     | * Gasket, Breather   |
| 170   | 28423       |     | Body Assy., Breather   |
| 171   | 28424       |     | Element, Breather  |
| 172   | 28425       |     | Cover, Breather  |
| 173   | 35350       |     | Tube, Breather   |
| 174   | 650128      |     | Screw, 10-24 x 1/2"  |
| 178   | 29752       |     | Nut & Lockwasher, 1/4-28   |
| 182   | 30088A      |     | Screw, 1/4-28 x 1"   |
| 184   | 33263       |     | * Gasket, Carburetor   |
| 185   | 34926       |     | Pipe, Intake   |
| 186   | 33860       |     | Link, Governor-to-throttle   |
| 200   | 33865B      |     | Control Bracket (Incl. 202, 205 & 206 )  |
| 202   | 31342       |     | Spring, Compression  |
| 205   | 650549      |     | Screw, 5-40 x 7/16"  |
| 206   | 610973      |     | Terminal Assy. (Use as required)   |
| 207   | 33151       |     | Link, Governor spring  |
| 209   | 30200       |     | Screw, 10-24 x 9/16"   |
| 210   | 27793       |     | Clip, Conduit  |
| 211   | 28942       |     | Screw, 10-32 x 3/8"  |
| 223   | 650378      |     | Screw, Torx T-30, 5/16-18 x 1-1/8"   |
| 224   | 27915A      |     | * Gasket, Intake pipe  |
| 239   | 33629       |     | * Gasket, Air cleaner  |
| 239A  | 34912       |     | * Gasket, Air cleaner-to-housing   |
| 243   | 650834      |     | Screw, 10-32 x 1-17/32"  |
| 246A  | 34910       |     | Element, Air cleaner   |
| 250A  | 34911       |     | Cover, Air cleaner   |
| 252A  | 650784      |     | Screw, 10-24 x 11/16"  |
| 253   | 650651      |     | Screw, 1/4-20 x 5/8"   |
| 260   | 33635B      |     | Blower Housing (For electric starter) NOTE: Replacement hardware may differ when servicing starter assy. or blower housing. Refer to Service Bulletin 508. |
| 261   | 650788      |     | Screw, 5/16-18 x 3/4"  |
| 262   | 29747B      |     | Screw, 5/16-24 x 21/32"  |
| 264A  | 650738      |     | Screw, 1/4-20 x 5/8"   |
| 264   | 650802      |     | Screw, 1/4-20 x 5/8"   |
| 265   | 33272A      |     | Cover, Cylinder head   |
| 275   | 33280A      |     | Muffler  |
| 276   | 31588       |     | Plate, Muffler locking   |
| 277   | 650729      |     | Screw, 5/16-18 x 3-3/16" (Use As Req. )  |
| 277   | 651002      |     | Screw, 5/16-18 x 4-3/16" (Use As Req. )  |
| 277   | 30196       |     | Screw, 5/16-18 x 3/4" (Use As Req. )   |
| 281   | 33013       |     | Cover, Starter bubble  |
| 282   | 650760      |     | Screw, 8-32 x 3/8"   |
| 290   | 30705       |     | Fuel Line (Braided 16") (40cm)   |
| 290   | 29774       |     | Fuel Line (Braided 8-1/4") (21cm)(As req.)   |
| 292A  | 35864       |     | Clamp, fuel filter to fuel line  |
| 292   | 26460       |     | Clamp, Fuel line   |

| Ref # | Part Number | Qty | Description   |
|-------|-------------|-----|---|
| 298   | 28763       |     | Screw, 10-32 x 35/64"   |
| 300   | 33583B      |     | Fuel Tank (Incl. 292, 298 & 301) NOTE: This tank was built with different size fuel inlet opening. Tanks with the 1-3/16" I.D. opening use fuel cap 34210. Tanks with the 1-1/2" I.D. opening use fuel cap 35355. |
| 301   | 33032       |     | Fuel Cap (Use as required in early pr od.)  |
| 301   | 34210       |     | Fuel Cap (Use as required in early pr od.)  |
| 307   | 33590       |     | "O" Ring  |
| 310   | 35837       |     | Dipstick, Oil (Incl. 307)   |
| 327   | 33817       |     | Plug, Screen  |
| 370   | 34346       |     | Decal, Instruction  |
| 379   | 610767A     |     | Condenser   |
| 379   | 631021      |     | Inlet Needle, Seat & Clip Assy.   |
| 380   | 632241      |     | Carburetor (Incl. 184) (Refer to Division 5, Section A, page 182 for breakdown or Fiche10A, Grid E-11)  |
| 381   | 29117       |     | Screw, 8-32 x 5/16 (Not used on late prod.)   |
| 382   | 33581       |     | Screen, Oil filter (Not used in late prod.)   |
| 400   | 33279G      |     | * Gasket Set (Incl. items marked *)   |
| 407   | 35837       |     | Fill Tube & Dipstick Assy.  |

ILLUSTRATION SHOWS TYPICAL PARTS ONLY. ORDER BY PART NUMBER. PARTS NOT LISTED ARE SUPPLIED BY DEM.



| Ref # | Part Number | Qty | Description  |
|-------|-------------|-----|--|
| 16    | 32651       |     | Lever, Governor  |
| 19    | 31361       |     | Spring, Governor   |
| 64    | 30063       |     | Screw, Torx T-30, 1/4-20 x 1/2"  |
| 70    | 33580       |     | Flange Ass'y. (Incl. 72, 75, 80 & 81)  |
| 72    | 31927       |     | Plug, Pipe   |
| 92    | 650793      |     | Washer, Flat   |
| 92    | 650815      |     | Washer, Belleville   |
| 103   | 650489      |     | Screw, 1/4-20 x 5/8"   |
| 186   | 33860       |     | Link, Governor-to-throttle   |
| 202   | 31342       |     | Spring, Compression  |
| 205   | 650549      |     | Screw, 5-40 x 7/16"  |
| 210   | 27793       |     | Clip, Conduit  |
| 211   | 28942       |     | Screw, 10-32 x 3/8"  |
| 240   | 34909       |     | Body, Air cleaner  |
| 243   | 650834      |     | Screw, 10-32 x 1-17/32"  |
| 274   | 27930       |     | * Exhaust Gasket (use as required)   |
| 277   | 650729      |     | Screw, 5/16-18 x 3-3/16" (Use As Req. )  |
| 277   | 651002      |     | Screw, 5/16-18 x 4-3/16" (Use As Req. )  |
| 277   | 30196       |     | Screw, 5/16-18 x 3/4" (Use As Req. )   |
| 286   | 33816       |     | Hub & Screen Assy., Starter  |
| 313   | 33876       |     | Gasket, Stator   |
| 327   | 33817       |     | Plug, Screen   |
| 375   | 610972      |     | Magneto (w/ring gear) (12 volt, 3 amp )      NOTE: The following complete magnetos are not available as an assembly. The magneto numbers are shown for reference purposes only. Order component parts individually, as shown in parts breakdown. (Refer to Division 5, Section B, page 36 for breakdown or |
| 377   | 30547A      |     | Contact Assy., Breaker   |
| 415   | 730130      |     | Exh.Adapter Kit (Incl. 274 & 277)(As req.)   |

ILLUSTRATION SHOWS TYPICAL PARTS ONLY. ORDER BY PART NUMBER. PARTS NOT LISTED ARE SUPPLIED BY OEM.

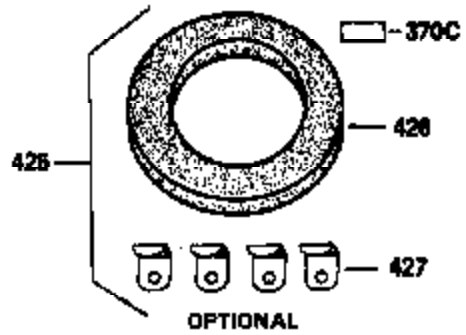
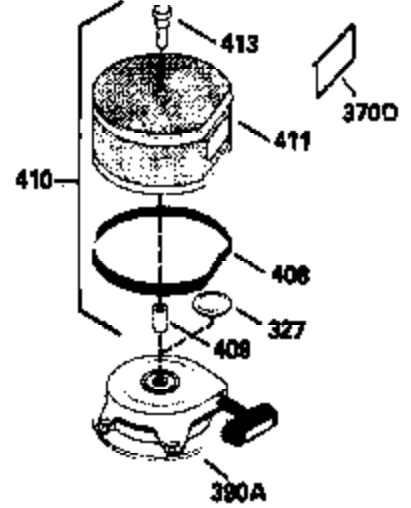
**OPTIONAL SPARK  
ARRESTOR**



**VIEW 3 of 3  
MUFFLER (QUIET)  
(OPTIONAL)**



**DEBRIS SCREEN KIT  
(OPTIONAL)**



| Ref # | Part Number | Qty | Description                                |
|-------|-------------|-----|--|
| 275   | 33280A      |     | Muffler                                    |
| 275C  | 35824       |     | Muffler (Quiet) (Optional)                 |
| 277   | 650729      |     | Screw, 5/16-18 x 3-3/16" (Use As Req. )    |
| 277   | 651002      |     | Screw, 5/16-18 x 4-3/16" (Use As Req. )    |
| 277   | 30196       |     | Screw, 5/16-18 x 3/4" (Use As Req. )       |
| 327   | 33817       |     | Plug, Screen                               |
| 370C  | 34870       |     | Decal, Instruction (Optional)              |
| 370D  | 34387       |     | Decal, Instruction (Optional)              |
| 408   | 35570       |     | Screen Seal (Optional)                     |
| 409   | 35569       |     | Spacer (Optional)                          |
| 410   | 730573      |     | Opt.Screen Kit(Incl.370D,408,409,411, 413) |
| 411   | 35568       |     | Debris Screen (Optional)                   |
| 413   | 650907      |     | Screw, 5/16-18 x 1-5/8" (Optional)         |
| 416   | 34479       |     | Spark Arrestor Kit (Optional)              |
| 425   | 730572      |     | Starter Muff Kit(Incl.370C,426,427)(O pt.) |
| 426   | 34687       |     | Starter Air Cleaner (Optional)             |
| 427   | 34869       |     | Starter Air Cleaner Bracket (Optional )    |