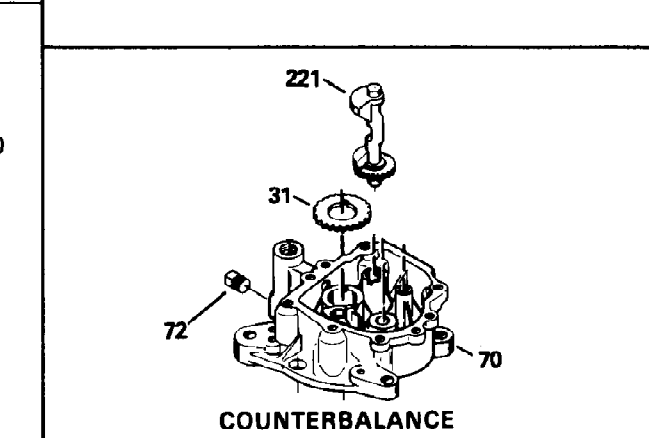
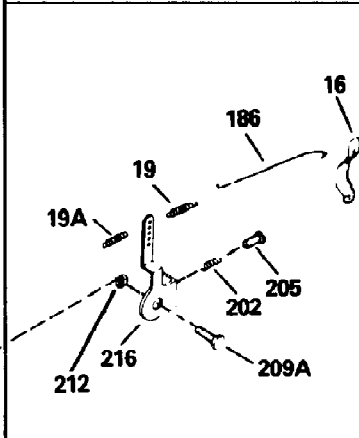
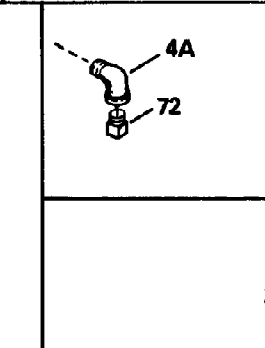
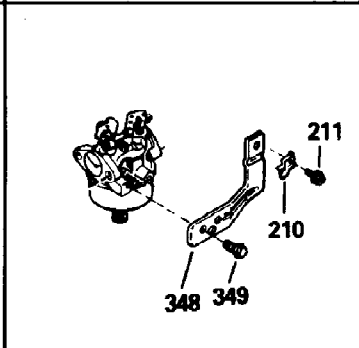
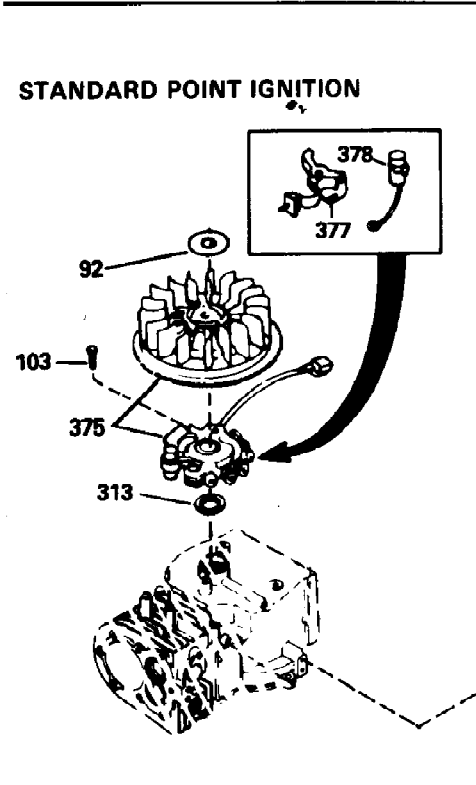
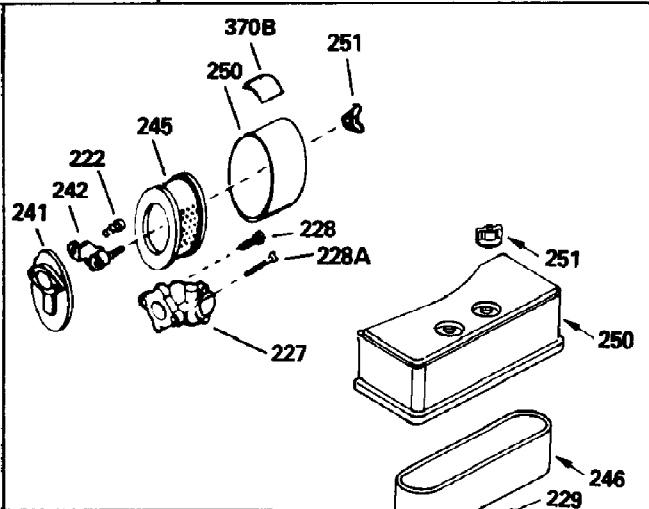
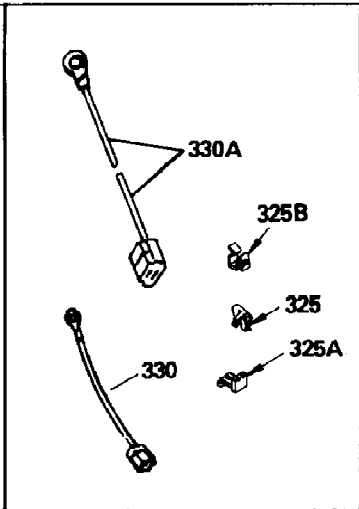
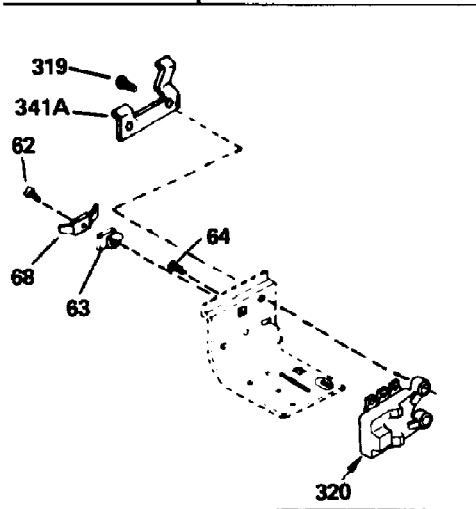
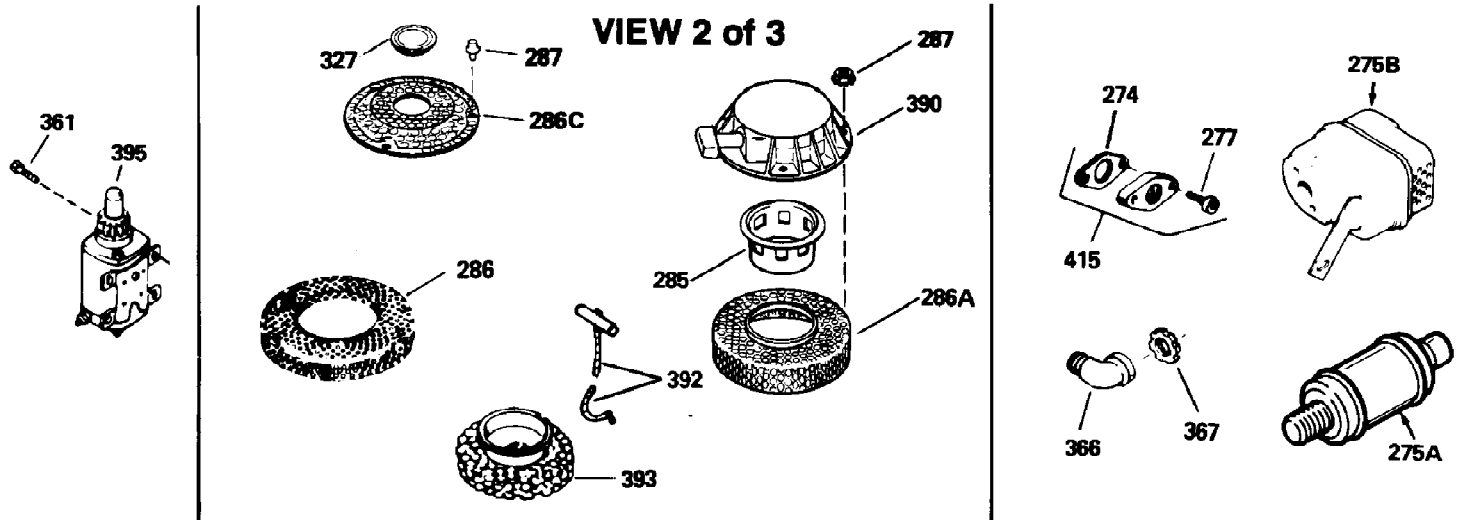


Ref #	Part Number	Qty	S/P/F	Description
1	34320A	1	/P	"Cylinder (Incl. 2 & 20) 2-15/16" Bore
2	27652	1		Dowel Pin
14	28277	1		Flat Washer
15	33577	1		Rod, Governor
16	32651	1		Lever, Governor
17	31335	1		Clamp, Governor lever
18	650548	1	S	Screw, 8-32 x 5/16"
19	31361	1		Spring, Governor
20	32630	1		Seal, Oil
25	35256A	1	/P	Blower Housing Baffle
26	650561	1	/P	Screw, 1/4-20 x 5/8"
30	33644B	1	/P	Crankshaft (Incl. 108 & 109)
32	35653	1		Washer 1-3/8" I.D. 1-3/4" O.D. .015" thick
40	34549	1		Piston, Pin & Ring Set (Std.) 2-15/16"
40	34550	1		Piston, Pin & Ring Set (.010" OS)
40	34551	1		Piston, Pin & Ring Set (.020" OS)
41	34321A	1	/P	Piston & Pin Ass'y. (Std.)(Incl. 43) 2-15/16"
41	34322A	1	/P	Piston & Pin Ass'y. (.010" OS) Incl. 43
41	34323A	1	/P	Piston & Pin Ass'y. (.020" OS) Incl. 43
42	34324	1		Ring Set (Std.) (2-15/16" Bore)
42	34325	1		Ring Set (.010" OS)
42	34326	1		Ring Set (.020" OS)
43	27888	1		Piston Pin Retaining Ring
45	32591C	1	/P	Rod Assy., Connecting (Incl. 47)
47	650662C	1	/P	Bolt, Connecting rod (2 pieces)
48	34034	1	S/P	Lifter, Valve
50	34040	1		Camshaft (MCR)
52	31356	1		Pump Assy., Oil
60	33273A	1	/P	Extension, Blower housing
64	30063	1	/P	Screw, T-30, 1/4-20 x 1/2"
65	650128	1	/P	Screw, 10-24 x 1/2"
69	35262	1	S/P	* Gasket, Mounting flange
70	33580	1		Flange Ass'y. (Incl. 72, 75, 80 & 81)
72	31927	1		Plug, Pipe
75	31950	1		Seal, Oil
80	30668	1		Shaft, Mechanical governor
81	30590A	1	/P	Washer, Flat
82	30591	1	/P	Gear Assy., Governor (Incl. 81)
83	30588A	1	/P	Spool, Governor
84	29193	1		Retaining Ring
86	650833	1		Screw, 1/4-20 x 1-3/16"
88	31707A	1	/P	Governor Spacer Assy. (Incl. 81)
89	32589	1		Key, Flywheel
92	650815	1	/P	Washer, Belleville
93	8116	1		Nut, Hex, 1/2-20
101	610118	1		Cover, Spark plug (Use as required)
103	650489	1		Screw, 1/4-20 x 5/8"
108	29783	1	/P	Pin, Crankshaft gear
109	33245	1		Gear, Crankshaft
110	34231	1		Wire, Ground
119	34327A	1	/P	* Gasket, Cylinder head
120	34030	1	S/P	Head, Cylinder
123	33261	1		Bracket, Intake pipe

Ref #	Part Number	Qty	S/P/F	Description
124	650738	1		Screw, 1/4-20 x 5/8"
125	27878A	1	/P	Exhaust Valve (Std.)(Incl. 151)
125	27880A	1	/P	Exhaust Valve (1/32" OS) (Incl. 151)
126	34035	1		Intake Valve (Std.) (Incl. 151)
126	34036	1		Intake Valve (1/32" OS) (Incl. 151)
127	650691	1		Washer, Flat Do not use with 6021A s crew
128	650690	1	S	Washer, Belleville
130	650694A	1	/P	Screw, 5/16-18 x 2"
131	6021A	1	/P	Screw, 5/16-18 x 1-1/2" Do not use w /650691
131	650788	1		Screw, 5/16-18 x 3/4"
135	33636	1	/P	Resistor Spark Plug - RJ17LM
149A	35862	1	/P	Valve Spring Cap
149	27882	1		Valve Spring Cap
150	27881	1		Valve Spring
151	32581	1		Valve Spring Keeper
169	27896A	1	/P	* Gasket, Breather
170	28423	1		Breather Body
171	28424	1		Breather Element
172	28425	1		Valve Cover
173	35350	1	/P	Breather Tube
174	650128	1	/P	Screw, 10-24 x 1/2"
178	29752	1	/P	Nut & Lock Washer 1/4-28
182	30088A	1	/P	Screw, 1/4-28 x 1"
184	33263	1	/P	* Gasket, Carburetor
185	34926	1	/P	Pipe, Intake
186	33860	1		Link, Governor-to-throttle
200	33865B	1	/P	Control Bracket Incl. 202, 205 & 206
202	31342	1		Spring, Compression
205	650549	1	S	Screw, 5-40 x 7/16"
206	610973	1		Terminal Assy. (Use as required)
207	33151	1	/P	Link, Governor spring
209	30200	1	/P	Screw, 10-24 x 9/16"
210	27793	1	/P	Conduit Clip
211	28942	1	/P	Screw, 10-32 x 3/8"
223	650378	1	/P	Screw, Torx T-30, 5/16-18 x 1-1/8"
224	27915A	1	/P	* Gasket, Intake pipe
239A	34912	1	/P	* Gasket, Air cleaner-to-housing
239	33629	1		* Gasket, Air cleaner
243	650834	1		Screw, 10-32 x 1-17/32"
246A	34910	1		Element, Air cleaner
250A	34911	1		Cover, Air cleaner
252A	650784	1		Screw, 10-24 x 11/16"
253	650651	1		Screw, 1/4-20 x 5/8"
260	33635B	1	S/P	Blower Housing (For electric starter) NOTE: Replacement hardware may differ when servicing starter assy. or blower housing. Refer to Service Bulletin 508.
261	650788	1		Screw, 5/16-18 x 3/4"
262	29747B	1	/P	Screw, T-40, 5/16-24 x 21/32"
264A	650738	1		Screw, 1/4-20 x 5/8"
264	650802	1	/P	Screw, 1/4-20 x 5/8"
265	33272A	1	S/P	Cover, Cylinder head
275	33280A	1	S/P	Muffler

Ref #	Part Number	Qty	S/P/F	Description
276	31588	1		Plate, Muffler locking
277	30196	1	/P	Screw, 5/16-18 x 3/4" .)
277	650729	1		Screw, 5/16-18 x 3-3/16" Use As Req.
277	651002	1		Screw, 5/16-18 x 4-3/16" Use As Req.
281	33013	1	/P	Cover, Starter bubble
282	650760	1	/P	Screw, 8-32 x 3/8"
287	29752	1	/P	Nut & Lock Washer 1/4-28
290	29774	1	/P	Fuel Line (8.62") req.)
290	30705	1	/P	Fuel Line (Braided 16") (40cm)
292	26460	1	/P	Fuel Line Clamp
292A	35864	1	S	Clamp, fuel filter to fuel line
298	28763	1	/P	Screw, 10-32 x 35/64"
300	33583B	1	/P	Fuel Tank (Incl. 292, 298 & 301) NOTE : This tank was built with different size fuel inlet opening. Tanks with the 1-3/16" I.D. opening use fuel cap 34210. Tanks with the 1-1/2" I.D. opening use fuel cap 35355.
301	33032	1	/P	Fuel Cap (Red 1-1/2" ID) (also available in Packaged Part #740005B) od.)
301	34210	1	/P	Fuel Cap Use as required in early prod.
307	33590	1		"O" Ring
310	35837	1	/P	Dipstick, Oil (Incl. 307)
370A	550223	1	/P	Decal, Name
370	34346	1	S/P	Decal, Instruction
379	631021	1	S/P	Inlet Needle, Seat & Clip Assy.
380	632237	1	S	Carburetor (Incl. 184) (Refer to Division 5, Section A, page 182 for break down or Fiche10A, Grid E-11)
381	29117	1	/P	Screw, 8-32 x 5/16 Not used on late prod.
382	33581	1		Screen, Oil filter Not used in late prod.
390	590479	1	S	Rewind Starter NOTE: Replacement hardware may differ when servicing starter Assy. or blower housing. Refer to Service Bulletin 508. (Refer to Division 5, Section C, page 30 for breakdown or Fiche 10A, Grid G-9))
400	33279G	1	S/P	* Gasket Set (Incl. items marked *)
407	35837	1	/P	Fill Tube & Dipstick Assy.

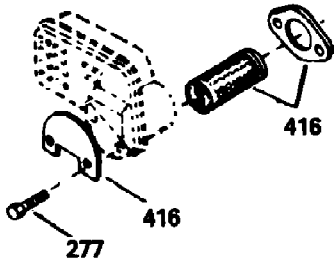
ILLUSTRATION SHOWS TYPICAL PARTS ONLY. ORDER BY PART NUMBER. PARTS NOT LISTED ARE SUPPLIED BY OEM.



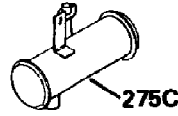
Ref #	Part Number	Qty	S/P/F	Description
16	32651	1		Lever, Governor
19	31361	1		Spring, Governor
64	30063	1	/P	Screw, T-30, 1/4-20 x 1/2"
70	33580	1		Flange Ass'y. (Incl. 72, 75, 80 & 81)
72	31927	1		Plug, Pipe
92	650815	1	/P	Washer, Belleville
103	650489	1		Screw, 1/4-20 x 5/8"
186	33860	1		Link, Governor-to-throttle
202	31342	1		Spring, Compression
205	650549	1	S	Screw, 5-40 x 7/16"
210	27793	1	/P	Conduit Clip
211	28942	1	/P	Screw, 10-32 x 3/8"
240	34909	1		Body, Air cleaner
243	650834	1		Screw, 10-32 x 1-17/32"
274	27930	1	S	* Exhaust Gasket (use as required)
277	30196	1	/P	Screw, 5/16-18 x 3/4" .)
277	650729	1		Screw, 5/16-18 x 3-3/16" Use As Req.
277	651002	1		Screw, 5/16-18 x 4-3/16" Use As Req.
286	33662	1	/P	Hub & Screen Assy., Starter
287	29752	1	/P	Nut & Lock Washer 1/4-28
313	33876	1		Gasket, Stator
375	610842	1		Magneto NOTE: The following complete magnetos are not available as an assembly. The magneto numbers are shown for reference purposes only. Order component parts individually, as shown in parts breakdown. (Refer to Division 5, Section B, page 28 for breakdown or Fiche 10A, Grid G-2)
377	30547A	1	/P	Breaker Points (also available in Packaged Part #740037B)
378	30548B	1	/P	Condenser (also available in Packaged Part #740037B)
390	590479	1	S	Rewind Starter NOTE: Replacement hardware may differ when servicing starter assembly or blower housing. Refer to Service Bulletin 508. (Refer to Division 5, Section C, page 30 for breakdown or Fiche 10A, Grid G-9))
415	730130	1		Exh.Adapter Kit (Incl. 274 & 277) As req.

ILLUSTRATION SHOWS TYPICAL PARTS ONLY. ORDER BY PART NUMBER. PARTS NOT LISTED ARE SUPPLIED BY OEM.

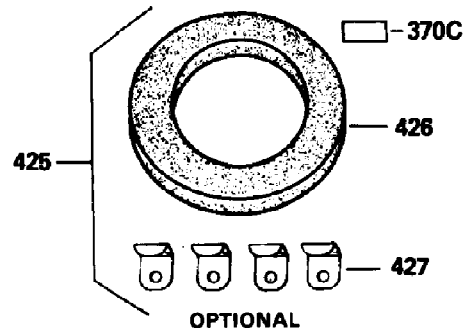
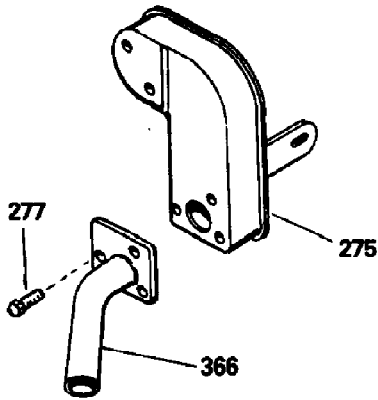
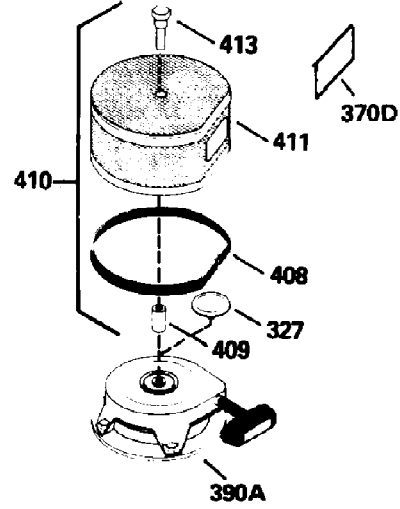
**OPTIONAL SPARK
ARRESTOR**



**VIEW 3 of 3
MUFFLER (QUIET)
(OPTIONAL)**



**DEBRIS SCREEN KIT
(OPTIONAL)**



Ref #	Part Number	Qty	S/P/F	Description
275C	35824	1	/P	Muffler (Quiet) (Optional)
275	33280A	1	S/P	Muffler
277	30196	1	/P	Screw, 5/16-18 x 3/4" .)
277	650729	1		Screw, 5/16-18 x 3-3/16" Use As Req.
277	651002	1		Screw, 5/16-18 x 4-3/16" Use As Req.
370C	34870	1		Decal, Instruction (Optional)
370D	34387	1		Decal, Instruction (Optional)
408	35570	1		Screen Seal (Optional)
409	35569	1		Spacer (Optional)
410	730573	1		Opt.Screen Kit Incl. 370D,408,409,411 , 413
411	35568	1		Debris Screen (Optional)
413	650907	1		Screw, 5/16-18 x 1-5/8" (Optional)
416	34479	1	S	Spark Arrestor Kit (Optional)
425	730572	1		Starter Muff Kit (Incl. 370C,426,427) O pt.
426	34687	1		Starter Air Cleaner (Optional)
427	34869	1		Starter Air Cleaner Bracket (Optional)