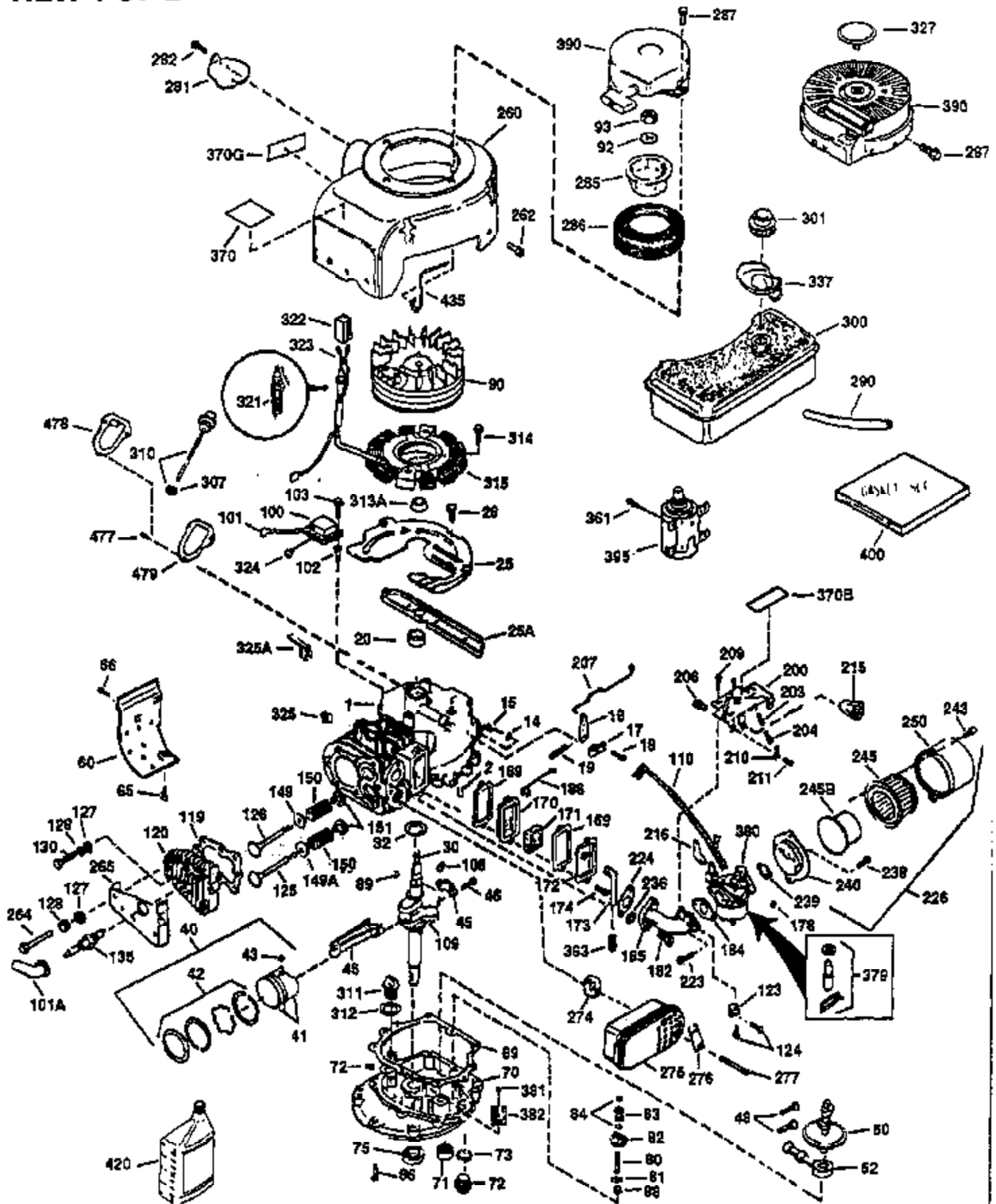


ILLUSTRATION SHOWS TYPICAL PARTS ONLY. ORDER BY PART NUMBER. PARTS NOT LISTED ARE SUPPLIED BY OEM.

**VIEW 1 OF 2**



## Engine Parts List #1

Ref #	Part Number	Qty	Description
1	35137A	1	Cylinder (Incl. 2 & 20)
2	27652	2	Dowel Pin
14	28277	1	Washer
15	30669	1	Governor Rod (Incl. 14)
16	31357	1	Governor Lever
17	31335	1	Governor Lever Clamp
18	650548	1	Screw, 8-32 x 5/16"
19	31361	1	Extension Spring
20	32630	1	Oil Seal
25	29536	1	Blower Housing Baffle
26	650561	2	Screw, 1/4-20 x 5/8"
30	35209	1	Crankshaft
40	34531	1	Piston, Pin & Ring Set (Std.)
40	34532	1	Piston, Pin & Ring Set (.010" OS)
40	34533	1	Piston, Pin & Ring Set (.020" OS)
41	33312B	1	Piston & Pin Ass'y. (Std.) (Incl. 43)
41	33313B	1	Piston & Pin Ass'y. (.010" OS) (Incl. 43)
41	33314B	1	Piston & Pin Ass'y. (.020" OS) (Incl. 43)
42	34854	1	Ring Set (Std.)
42	34855	1	Ring Set (.010" OS)
42	34856	1	Ring Set (.020" OS)
43	27888	2	Piston Pin Retaining Ring
45	31380C	1	Connecting Rod Ass'y. (Incl. 46)
46	650662C	2	Connecting Rod Bolt
48	34034	2	Valve Lifter
50	34006	1	Camshaft
52	31356	1	Oil Pump Ass'y.
60	30622A	1	Blower Housing Extension
65	650128	1	Screw, 10-24 x 1/2"
66	30063	1	Screw, Torx T-30, 1/4-20 x 1/2"
69	30684	1	* Mounting Flange Gasket
70	31549	1	Mounting Flange (Incl. 72,75,76,80 & 81)
72	27642	1	Oil Drain Plug
75	27897	1	Oil Seal
76	28926	1	Camshaft Seal
80	30668	1	Governor Shaft
81	30590A	2	Washer
82	30591	1	Governor Gear Ass'y. (Incl. 81)
83	30588A	1	Governor Spool
84	29193	2	Retaining Ring
86	650488	7	Screw, 1/4-20 x 1-1/4"
88	31707A	1	Spacer (Incl. 81)
89	32589	1	Flywheel Key
90	611084	1	Flywheel
92	650815	1	Belleville Washer
93	8116	1	Flywheel Nut
100	34443A	1	Solid State Ignition
101	610118	1	Spark Plug Cover
102	650872	2	Solid State Mounting Stud
103	651007	2	Screw, Torx T-15, 10-24 x 15/16"
110	36230	1	Ground Wire
119	36445	1	* Cylinder Head Gasket
120	36446	1	Cylinder Head
123	33261	1	Intake Pipe Brace
124	650738	2	Screw, 1/4-20 x 5/8"
125	27878A	1	Exhaust Valve (Std.) (Incl. 151)
125	27880A	1	Exhaust Valve (1/32" OS) (Incl. 151)
126	32783	1	Intake Valve (Std.) (Incl. 151)

## Engine Parts List #1

Ref #	Part Number	Qty	Description
126	32784	1	Intake Valve (1/32" OS) (Incl. 151)
127	650691	8	Washer
128	650690	8	Belleville Washer
130	650697A	8	Screw, 5/16-18 x 2-1/2"
135	33636	1	Resistor Spark Plug (RJ17LM)
149	27882	2	Valve Spring Cap
150	27881	2	Valve Spring
151	32581	2	Valve Spring Keeper
169	27896A	2	* Valve Cover Gasket
170	28423	1	Breather Body
171	28424	1	Breather Element
172	28425	1	Valve Cover
173	35350	1	Breather Tube
174	650128	2	Screw, 10-24 x 1/2"
178	650517	2	Screw, 1/4-20 x 27/32"
182	650378	2	Screw, Torx T-30, 5/16-18 x 1-1/8"
184	26756	1	* Carburetor To Intake Pipe Gasket
185	32632	1	Intake Pipe
186	32582	1	Governor Link
200	32181A	1	Control Bracket (Incl.203, 204 & 206)
203	31342	1	Compression Spring
204	650549	1	Screw, 5-40 x 7/16"
206	610973	1	Terminal
207	31823	1	Throttle Link
209	30200	2	Screw, 10-24 x 9/16"
210	27793	1	Conduit Clip
211	28942	1	Screw, 10-32 x 3/8"
224	27915A	1	* Intake Pipe Gasket
238	28820	2	10-32 x 1/2"
239	27272A	1	* Air Cleaner Gasket
240	31691	1	Air Cleaner Body
243	650152	2	Screw, 8-32 x 3/8"
245	30727	1	Air Cleaner Filter
250	31715	1	Air Cleaner Cover
260	35892	1	Blower Housing
262	29747B	2	Screw, Torx T-40, 5/16-24 x 21/32"
265	30939A	1	Cylinder Head Cover
274	35865	1	* Exhaust Gasket
275	31574	1	Muffler
276	31588	1	Locking Plate
277	650696	2	Screw, 5/16-18 x 2-3/4"
285	35287A	1	Starter Cup
287	650926	4	Screw, 8-32 x 21/64"
290	29774	1	Fuel Line
300	32584	1	Fuel Tank (Incl. 301)
301	33032	1	Fuel Cap
307	35499	1	"O" Ring
310	35598	1	Dipstick
311	27625	1	Oil Fill Plug (Incl. 312)
312	29673	1	* Oil Fill Plug Gasket
325	29443	1	Wire Clip
327	35392	1	Starter Plug
370A	36261	1	Lubrication Decal
370	550223	1	Logo Decal
380	632233	1	Carburetor (Incl. 184)

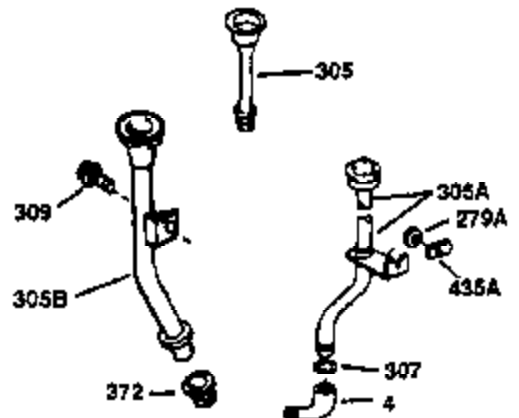
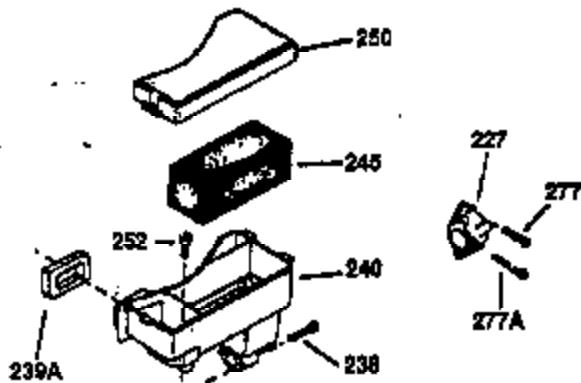
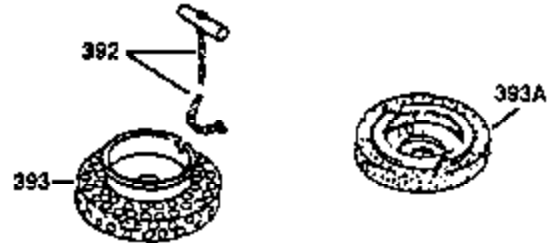
Ref #	Part Number	Qty	Description
390	590732	1	Rewind Starter (Note: This engine could have been built with 590738 starter. Refer to the design of the rope pulley strength ribs for part identification. Individual starter parts do not interchange. Refer to service bulletin number 116.
400	36447	1	* Gasket Set (Incl. items marked PK in notes) Incl. part #'s 26756 (1), 27272A (2), 27896A (2), 27915A (1), 29673 (1), 30684 (1), 31688A (1), 33263 (1), 33629 (1), 34912 (1), 35865 (1), 36445 (1)
420	730225	1	SAE 30 4-Cycle Engine Oil (Quart)
435	33549	1	Hold Down Clamp

ILLUSTRATION SHOWS TYPICAL PARTS ONLY. ORDER BY PART NUMBER. PARTS NOT LISTED ARE SUPPLIED BY OEM.

**VIEW 2 OF 2**



OPTIONAL 110 - 120 VOLT  
STARTER MOTOR KIT



Ref #	Part Number	Qty	Description
66	30063	1	Screw, Torx T-30, 1/4-20 x 1/2"
76	28926	1	Camshaft Seal
103	651007	2	Screw, Torx T-15, 10-24 x 15/16"
238	28820	2	10-32 x 1/2"
240	31691	1	Air Cleaner Body
245	30727	1	Air Cleaner Filter
250	31715	1	Air Cleaner Cover
262	29747B	2	Screw, Torx T-40, 5/16-24 x 21/32"
274	35865	1	* Exhaust Gasket
275	31574	1	Muffler
277	650696	2	Screw, 5/16-18 x 2-3/4"
290	29774	1	Fuel Line
305	35560	1	Oil Filler Tube
307	35499	1	"O" Ring
370A	36261	1	Lubrication Decal
380	632233	1	Carburetor (Incl. 184)