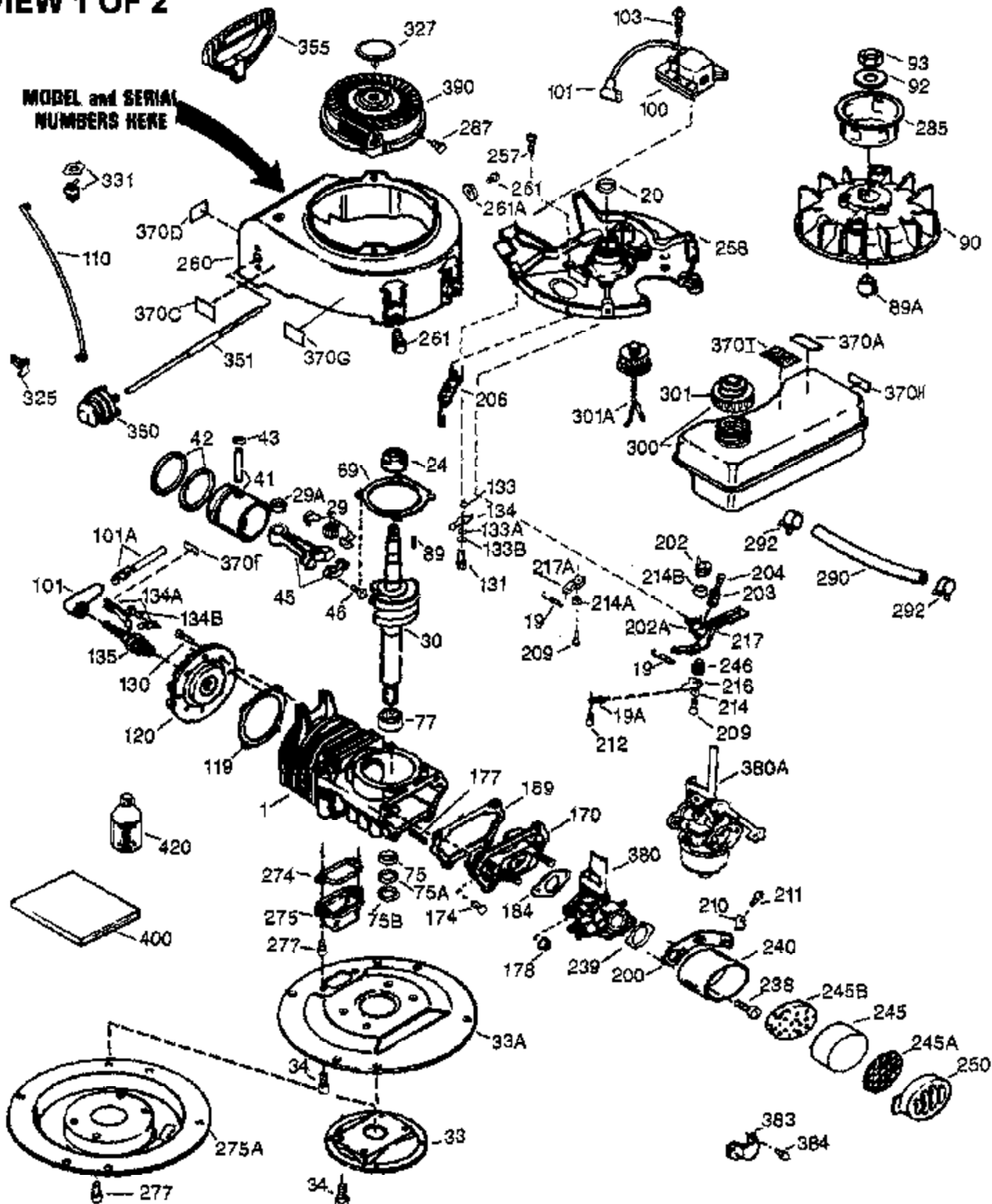


ILLUSTRATION SHOWS TYPICAL PARTS ONLY. ORDER BY PART NUMBER. PARTS NOT LISTED ARE SUPPLIED BY OEM.

VIEW 1 OF 2

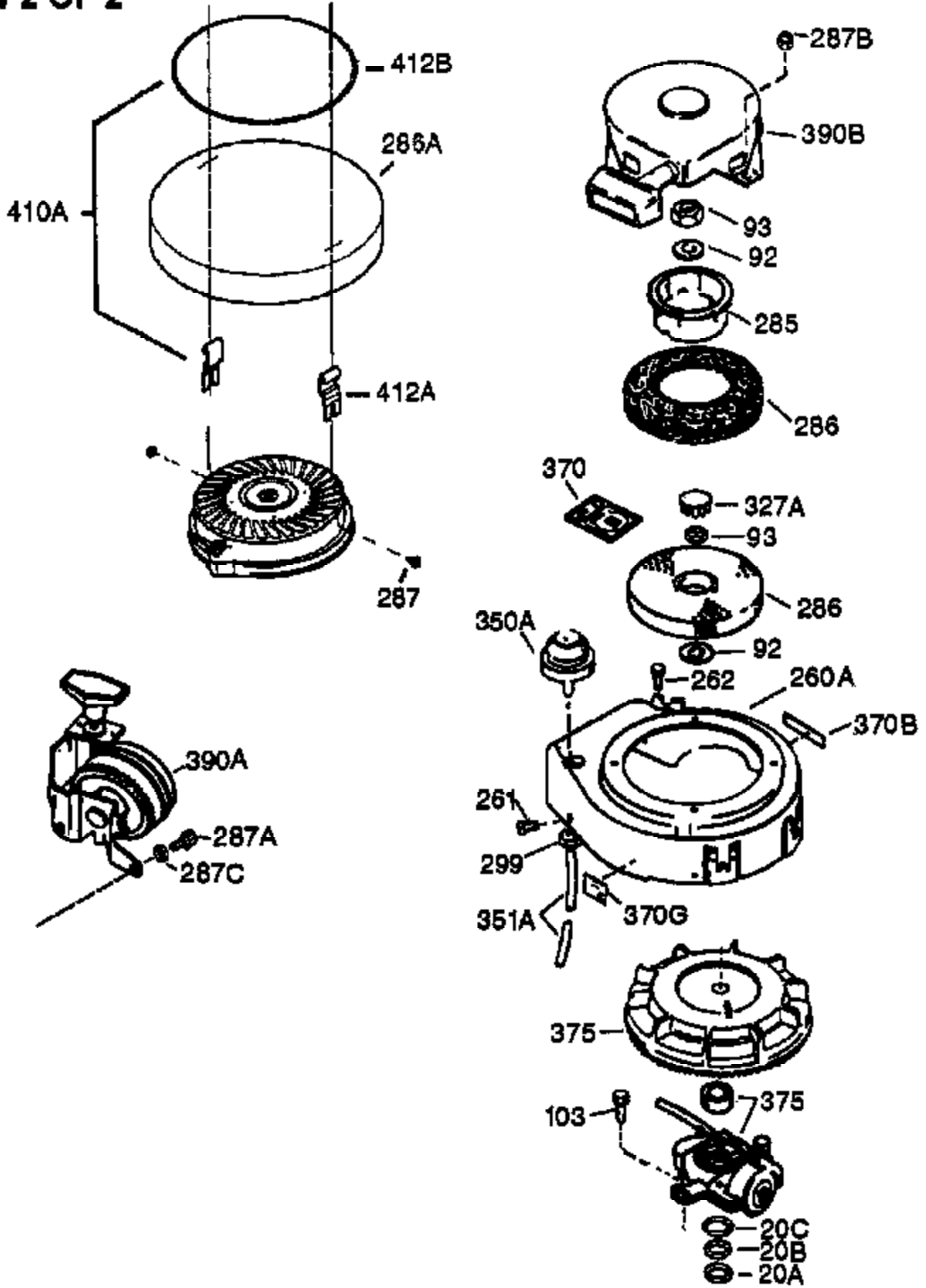
MODEL and SERIAL  
NUMBERS HERE



Ref #	Part Number	Qty	Description
1	0	1	Cylinder (Order S/B if replacement is needed)
19	490286	1	Extension Spring
20	510319	1	Oil Seal
24	530110	1	Ball Bearing
29A	530104A	1	Cartridge Bearing
29	530150	1	Needle Bearing & Liner Set (37 Needle s)
30	290634	1	Crankshaft
33	330171A	1	Adapter Plate
34	650797	4	Screw, 5/16-18 x 1/2"
41	310283A	1	Piston & Pin Assembly
42	310289	2	Ring Set
43	310167	2	Piston Pin Retaining Ring
45	310235B	1	Connecting Rod Ass'y (Incl. 29, 29A & 46)
46	650633	2	Connecting Rod Bolt
69	510292A	1	* Cylinder Cover Gasket
75	28427	1	Oil Seal
77	530143A	1	Cartridge Bearing
89A	611032	1	Adapter Sleeve
90	611112	1	Flywheel
92	650815	1	Belleville Washer
93	650390	1	Flywheel Nut
100	34443B	1	Solid State Ignition
101	610118	1	Spark Plug Cover
103	651007	2	Screw, Torx T-15, 10-24 x 15/16"
110	611135	1	Ground Wire
119	510274A	1	* Cylinder Head Gasket
120	250240B	1	Cylinder Head
130	650477	6	Screw, Torx T-30, 1/4-20 x 3/4"
135	33636	1	Resistor Spark Plug (RJ17LM)
169	510323A	1	* Cover Plate Gasket
170	470153B	1	Reed & Cover Plate (Incl. 178)
174	650579	4	Screw, Torx T-25, 10-24 x 1/2"
178	29752	2	Nut & Lock Washer, 1/4-28
184	510110A	1	* Carburetor Gasket
202	570637	1	Spring
203	31342	1	Compression Spring
204	650549	1	Screw, 5-40 x 7/16"
209	650544	1	Screw, Torx T-25, 10-24 x 7/8"
214A	570422	1	Washer
214	650583	1	Washer
216	570415	1	R.P.M. Adjusting Lever
217	570691A	1	Control Lever
239	35815	1	Air Cleaner Gasket
246	570412	1	Bushing
257	650911	4	Screw, Torx T-30, 1/4-20 x 5/8"
258	350448	1	Blower Housing Base (Incl. 20)
260	350449	1	Blower Housing
261	650958	3	Screw, 1/4-20 x 7/16"
274	510257A	1	* Exhaust Gasket
275	390276A	1	Muffler
277	650958	2	Screw, Torx T-30, 1/4-20 x 3/8"
285	590551A	1	Starter Cup
287	650926	4	Screw, 8-32 x 21/64"
290	29774	1	Fuel Line
292	26460	2	Fuel Line Clamp
300	410273	1	Fuel Tank
301	410285	1	Fuel Cap
331	610650B	1	Toggle Switch

Ref #	Part Number	Qty	Description
350	570682	1	Primer Assembly
351	570656	1	Primer Line
370I	550206	1	Warning Decal
370K	36695	1	Starter Decal
370M	550208	1	Fuel Mix Decal
370C	36501	1	Primer Decal
370A	36261	1	Lubrication Decal
370G	550205A	1	Instruction Decal
380	640290	1	Carburetor (Incl. 184)
383	570434	1	Spit Cup
384	650229	2	Screw, Torx T-25, 10-32 x 3/8"
390	590732	1	Rewind Starter (NOTE: This engine could have been built with 590738 starter. Refer to the design of the rope pulley strength ribs for part identification. Individual starter parts do not interchange. Refer to service bulletin 116.)
400	510296C	1	* Gasket Set (Incl. items marked PK in notes)
420	730227A	1	2-Cycle Oil (8 oz.)

**VIEW 2 OF 2**



Ref #	Part Number	Qty	Description
92	650815	1	Belleville Washer
93	650390	1	Flywheel Nut
103	651007	2	Screw, Torx T-15, 10-24 x 15/16"
261	650958	3	Screw, 1/4-20 x 7/16"
285	590551A	1	Starter Cup
287	650926	4	Screw, 8-32 x 21/64"
370M	550208	1	Fuel Mix Decal
370G	550205A	1	Instruction Decal
370K	36695	1	Starter Decal