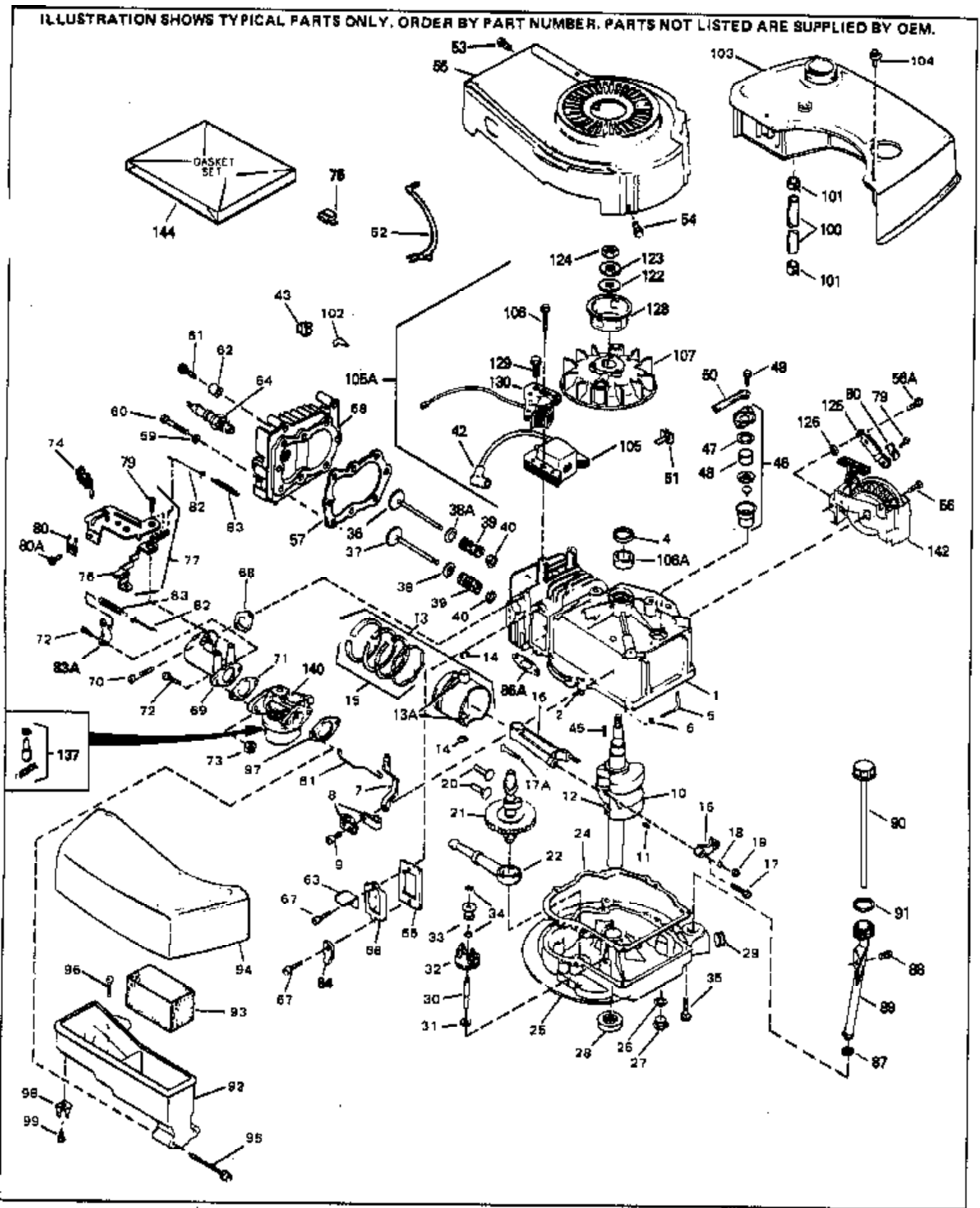


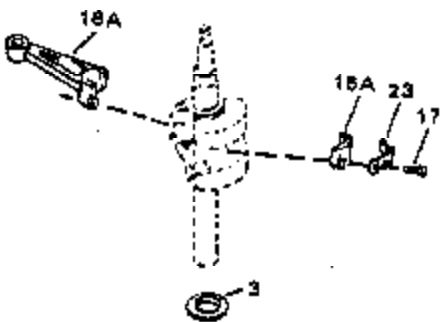
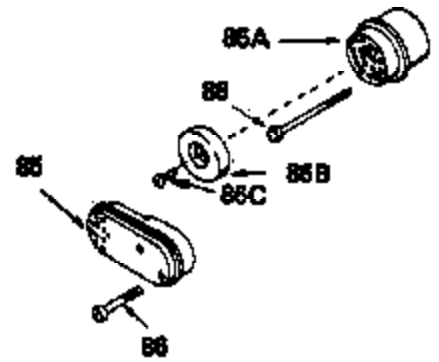
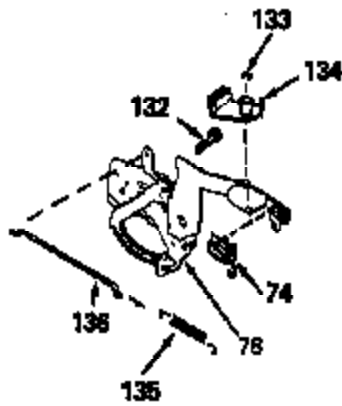
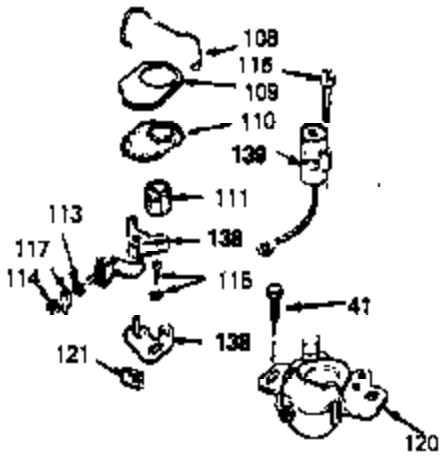
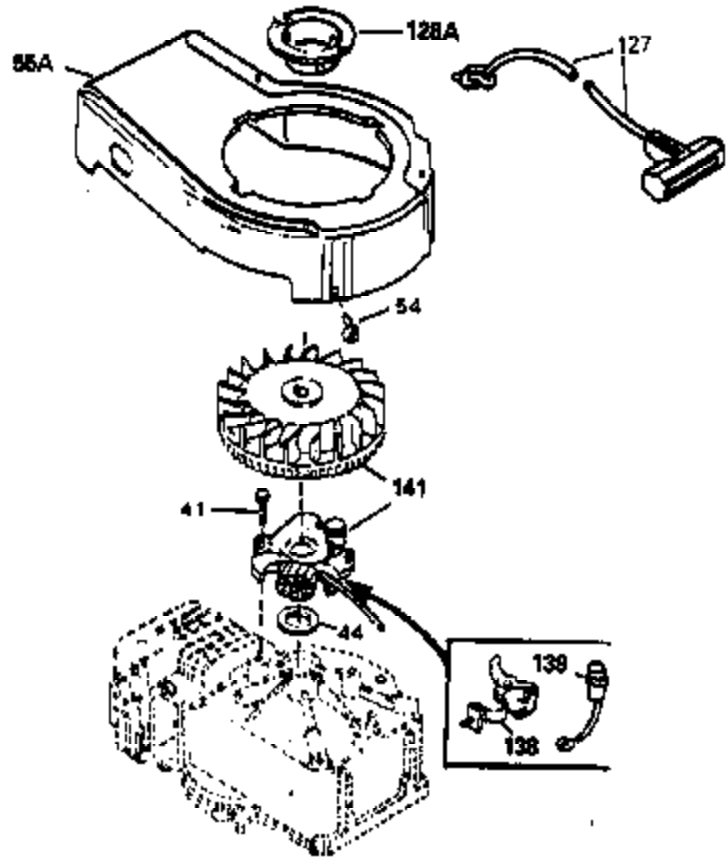
ILLUSTRATION SHOWS TYPICAL PARTS ONLY. ORDER BY PART NUMBER. PARTS NOT LISTED ARE SUPPLIED BY OEM.



Ref #	Part Number	Qty	Description
	1 33899A		Cylinder (Incl. 2, 4 & 56) (2-13/16" Bore)
	2 26727		Pin, Dowel
	4 32600		Seal, Oil
	5 30589		Rod, Governor (Incl. 6)
	6 28277		Washer, Flat
	7 32651		Lever, Governor
	8 31335		Clamp, Governor lever (Clamp is positioned towardspark plug end on 1977-78 and latermodels. It is positioned opposite spark plugend on earlier models.)
	9 650548		Screw, 8-32 x 5/16"
	10 34085		Crankshaft
	11 29783		Pin, Crankshaft (Not used on late production)
	12 27613		Gear, Crankshaft (Not serviceable on late production)
	13A 33562B		Piston & Pin Ass'y.(Incl.14)(Std.)(2- 13/16")
	13A 33563B		Piston & Pin Ass'y. (Incl. 14) (.010" OS)
	13A 33564B		Piston & Pin Ass'y. (Incl. 14) (.020" OS)
	13 34535		Piston, Pin & Ring Set (Std.) (2-13/16" Bore)
	13 34536		Piston, Pin & Ring Set (.010" OS)
	13 34537		Piston, Pin & Ring Set (.020" OS)
	14 20381		Ring, Piston pin retaining
	15 33567		Ring Set (Std.) (2-13/16" Bore)
	15 33568		Ring Set (.010" OS)
	15 33569		Ring Set (.020" OS)
	17 32610A		Bolt, Connecting rod
	20 27241		Lifter, Valve
	21 33553		Camshaft (MCR)
	22 29914		Pump Assy., Oil
	24 35261		* Gasket, Mounting flange
	25 33901		Flange Ass'y. (Incl. 27, 28, 29 & 30)
	26 28833		* Drain Plug Gasket (Not req. w/plastic plug)
	27 27244		Plug, Oil drain
	28 27897		Seal, Oil
	29 33885		Plug, Oil drain
	30 30574		Shaft, Mechanical governor
	31 30590A		Washer, Flat
	32 31947		Gear Assy., Governor
	33 33903		Spool, Governor
	34 29193		Ring, Retaining
	35 650488		Screw, 1/4-20 x 1-1/4"
	36 29314B		Intake Valve (Std.) (Incl. 40)
	36 29315C		Intake Valve (1/32" OS) (Incl. 40)
	37 29313C		Exhaust Valve (Std.) (Incl. 40)
	37 29315C		Exhaust Valve (1/32" OS) (Incl. 40)
	38 31671		Cap, Upper valve spring
	38A 31671		Cap, Upper valve spring (Intake)
	39 31672		Spring, Valve (Exhaust)
	40 31673		Cap, Lower valve spring
	42 610118		Cover, Spark plug (Use as required)
	43 27275		Clip, Hi tension wire
	45 610961		Key, Flywheel
	46 34214A		Breather Ass'y. (Incl. 47 thru 51)
	47 33735		* Gasket, Breather
	48 33734		Element, Breather
	49 30200		Screw, 10-24 x 9/16"
	50 33886		Tube, Breather
	51 33887		Clip, Breather tube
	52 33888		Ground Wire

Ref #	Part Number	Qty	Description
54	650561		Screw, 1/4-20 x 5/8"
57	33554		* Gasket, Cylinder head
58	33016A		Head, Cylinder
59	26073		Washer, Flat (Not used on late production)
60	6021A		Screw, 5/16-18 x 1-1/2"
61	650697A		Screw, 5/16-18 x 2-1/2"
62	33892		Spacer
63	30593		Clip, Magneto wire
64	33636		Resistor Spark Plug (RJ-8C)
64	34251		Resistor Spark Plug (RJ-17LM)
65	27234		* Gasket, Valve spring cover
66	32755		Cover, Valve spring box
67	650128		Screw, 10-24 x 1/2"
68	32649		* Gasket, Intake pipe
69	33004A		Pipe, Intake (Incl. 68)
70	650451		Screw, 1/4-20 x 1"
71	31688		* Gasket, Carburetor
72	6201		Screw, 1/4-28 x 7/8"
73	29752		Nut & Lockwasher Assy.
74	610973		Terminal Assy. (Use as required)
81	33133		Link, Throttle
82	33295		Link, Governor spring
83	31361		Spring, Governor
83A	33086		Lever, Speed adjusting
86A	30081		* Gasket, Muffler
87	34265		Gasket, Oil fill tube
89	33893A		Tube, Oil filler
90	33894A		Dipstick, Oil (Incl. 91)
91	33590		"O" Ring
92	33895		Body, Air cleaner
93	33896		Filter, Air cleaner
94	33897		Cover, Air cleaner
95	650762		Screw, 10-32 x 1-29/32"
96	650784		Screw, 10-24 x 11/16"
97	33051		* Gasket, Air cleaner
100	30705		Fuel Line (Braided 16")
101	26460		Clamp, Fuel line
102	29443		Clip, Fuel line
103	33904B		Fuel Tank (Incl. 101)
104	28763		Screw, 10-32 x 19/32"
105	730207		Magneto-to-Solid State Conversion Kit (Includes solid state module, Solid State Flywheel Key, and instructions) (Use as required on external ignition engines only)
123	650815		Washer, Belleville
124	650607		Nut, Flywheel
128	34461		Pulley, Starter
137	631021		Inlet Needle, Seat & Clip Assy.
140	631831		Carburetor (Incl. 71 & 137) (Refer to Division 5, Section A, page 132 for breakdown)
144	33906A		* Gasket Set (Incl. items marked *)

ILLUSTRATION SHOWS TYPICAL PARTS ONLY. ORDER BY PART NUMBER. PARTS NOT LISTED ARE SUPPLIED BY OEM.



Ref #	Part Number	Qty	Description
	3 32323		Washer, Thrust
	16A 32875		Rod Assy., Connecting (Incl. 17)
	17 32610A		Bolt, Connecting rod
	23 32609		Plate, Lock (Used on early production with No. 32610 connecting rod bolt. Donot use with No. 32610A locking type bolt.)
	41 650489		Screw, 1/4-20 x 5/8"
	54 650561		Screw, 1/4-20 x 5/8"
	55A 33907A		Housing, Blower
	74 610973		Terminal Assy. (Use as required)
	127 590343		Rope Assy., Starter
	128A 33914		Cup (Early production only, not w/650 791)
	138 30547A		Contact Assy., Breaker
	139 30548B		Condenser
	141 610900		Magneto (w/ring gear) NOTE: The complete magneto is not available as an assembly. The magneto number is shown for reference purposes only. Order componentparts individually, as shown in parts list. (Refer to Division 5, Section B, page 30 for breakdown)
	143		Electric Starter Kit (Supplied by OEM)