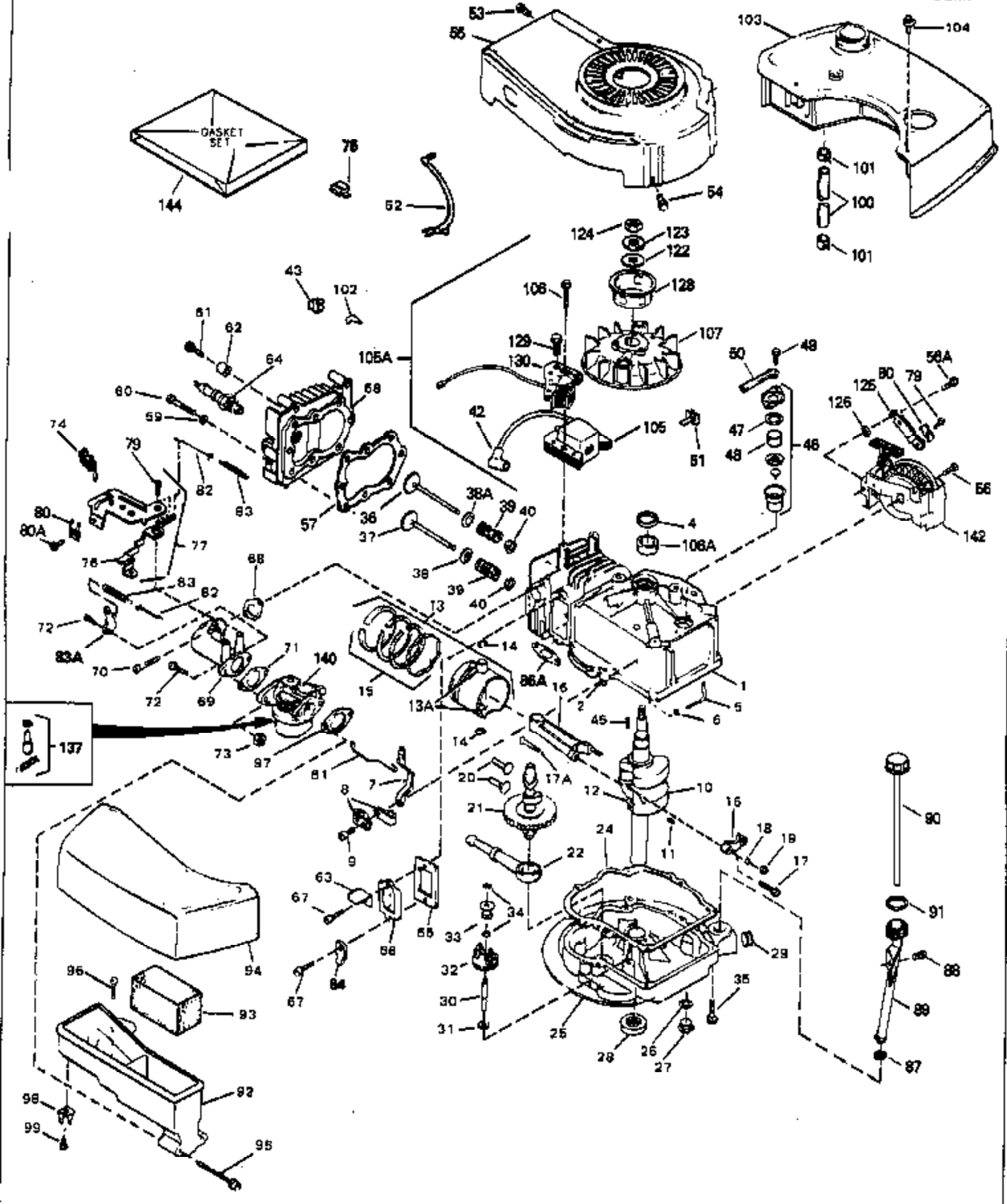


ILLUSTRATION SHOWS TYPICAL PARTS ONLY. ORDER BY PART NUMBER. PARTS NOT LISTED ARE SUPPLIED BY OEM.



| Ref # | Part Number | Qty | Description   |
|-------|-------------|-----|---|
| 1     | 33899A      |     | Cylinder (Incl. 2, 4 & 56) (2-13/16" Bore)  |
| 2     | 26727       |     | Pin, Dowel  |
| 4     | 32600       |     | Seal, Oil   |
| 5     | 30589       |     | Rod, Governor (Incl. 6)   |
| 6     | 28277       |     | Washer, Flat  |
| 7     | 32651       |     | Lever, Governor   |
| 8     | 31335       |     | Clamp, Governor lever (Clamp is positioned towardspark plug end on 1977-78 and latermodels. It is positioned opposite spark plugend on earlier models.) |
| 9     | 650548      |     | Screw, 8-32 x 5/16"   |
| 10    | 34469       |     | Crankshaft  |
| 11    | 29783       |     | Pin, Crankshaft (Not used on late production)   |
| 12    | 27613       |     | Gear, Crankshaft (Not serviceable on late production)   |
| 13A   | 33562B      |     | Piston & Pin Ass'y.(Incl.14)(Std.)(2- 13/16")   |
| 13A   | 33563B      |     | Piston & Pin Ass'y. (Incl. 14) (.010" OS)   |
| 13A   | 33564B      |     | Piston & Pin Ass'y. (Incl. 14) (.020" OS)   |
| 13    | 34535       |     | Piston, Pin & Ring Set (Std.) (2-13/16" Bore)   |
| 13    | 34536       |     | Piston, Pin & Ring Set (.010" OS)   |
| 13    | 34537       |     | Piston, Pin & Ring Set (.020" OS)   |
| 14    | 20381       |     | Ring, Piston pin retaining  |
| 15    | 33567       |     | Ring Set (Std.) (2-13/16" Bore)   |
| 15    | 33568       |     | Ring Set (.010" OS)   |
| 15    | 33569       |     | Ring Set (.020" OS)   |
| 17    | 32610A      |     | Bolt, Connecting rod  |
| 20    | 27241       |     | Lifter, Valve   |
| 21    | 33553       |     | Camshaft (MCR)  |
| 22    | 29914       |     | Pump Assy., Oil   |
| 24    | 35261       |     | * Gasket, Mounting flange   |
| 25    | 34311B      |     | Flange Ass'y. (Incl. 27, 28, 29 & 30 )  |
| 26    | 28833       |     | * Drain Plug Gasket (Not req. w/plastic plug)   |
| 27    | 27244       |     | Plug, Oil drain   |
| 28    | 27897       |     | Seal, Oil   |
| 30    | 30574       |     | Shaft, Mechanical governor  |
| 31    | 30590A      |     | Washer, Flat  |
| 32    | 31947       |     | Gear Assy., Governor  |
| 33    | 33903       |     | Spool, Governor   |
| 34    | 29193       |     | Ring, Retaining   |
| 35    | 650488      |     | Screw, 1/4-20 x 1-1/4"  |
| 36    | 29314B      |     | Intake Valve (Std.) (Incl. 40)  |
| 36    | 29315C      |     | Intake Valve (1/32" OS) (Incl. 40)  |
| 37    | 29313C      |     | Exhaust Valve (Std.) (Incl. 40)   |
| 37    | 29315C      |     | Exhaust Valve (1/32" OS) (Incl. 40)   |
| 38    | 31671       |     | Cap, Upper valve spring   |
| 38A   | 31671       |     | Cap, Upper valve spring (Intake)  |
| 39    | 31672       |     | Spring, Valve (Exhaust)   |
| 40    | 31673       |     | Cap, Lower valve spring   |
| 42    | 610118      |     | Cover, Spark plug (Use as required)   |
| 45    | 610995      |     | Key, Flywheel   |
| 46    | 34214A      |     | Breather Ass'y. (Incl. 47 thru 51)  |
| 47    | 33735       |     | * Gasket, Breather  |
| 48    | 33734       |     | Element, Breather   |
| 49    | 30200       |     | Screw, 10-24 x 9/16"  |
| 50    | 33886       |     | Tube, Breather  |
| 51    | 33887       |     | Clip, Breather tube   |
| 52    | 34459       |     | Ground Wire   |
| 53    | 30200       |     | Screw, 10-24 x 9/16"  |
| 54    | 650561      |     | Screw, 1/4-20 x 5/8"  |

| Ref # | Part Number | Qty | Description   |
|-------|-------------|-----|---|
| 57    | 33554       |     | * Gasket, Cylinder head   |
| 58    | 34342       |     | Head, Cylinder  |
| 59    | 26073       |     | Washer, Flat (Not used on late production)  |
| 60    | 6021A       |     | Screw, 5/16-18 x 1-1/2"   |
| 64    | 33636       |     | Resistor Spark Plug (RJ-8C)   |
| 64    | 34251       |     | Resistor Spark Plug (RJ-17LM)   |
| 65    | 27234       |     | * Gasket, Valve spring cover  |
| 66    | 32755       |     | Cover, Valve spring box   |
| 67    | 650128      |     | Screw, 10-24 x 1/2"   |
| 68    | 32649       |     | * Gasket, Intake pipe   |
| 69    | 33004A      |     | Pipe, Intake (Incl. 68)   |
| 70    | 650451      |     | Screw, 1/4-20 x 1"  |
| 71    | 31688       |     | * Gasket, Carburetor  |
| 72    | 6201        |     | Screw, 1/4-28 x 7/8"  |
| 73    | 29752       |     | Nut & Lockwasher Assy.  |
| 74    | 610973      |     | Terminal Assy. (Use as required)  |
| 81    | 34336       |     | Link, Throttle  |
| 82    | 33151       |     | Link, Governor spring   |
| 83    | 31361       |     | Spring, Governor  |
| 83A   | 33086       |     | Lever, Speed adjusting  |
| 84    | 33932       |     | Terminal  |
| 86A   | 30081       |     | * Gasket, Muffler   |
| 87    | 34265       |     | Gasket, Oil fill tube   |
| 88    | 650562      |     | Screw, 10-32 x 1/2"   |
| 89    | 34380       |     | Tube, Oil filler  |
| 90    | 33894A      |     | Dipstick, Oil (Incl. 91)  |
| 91    | 33590       |     | "O" Ring  |
| 92    | 33895       |     | Body, Air cleaner   |
| 93    | 33896       |     | Filter, Air cleaner   |
| 94    | 33897       |     | Cover, Air cleaner  |
| 95    | 650762      |     | Screw, 10-32 x 1-29/32"   |
| 96    | 650784      |     | Screw, 10-24 x 11/16"   |
| 97    | 33051       |     | * Gasket, Air cleaner   |
| 100   | 30705       |     | Fuel Line (Braided 16")   |
| 101   | 26460       |     | Clamp, Fuel line  |
| 102   | 29443       |     | Clip, Fuel line   |
| 103   | 33904B      |     | Fuel Tank (Incl. 101)   |
| 104   | 28763       |     | Screw, 10-32 x 19/32"   |
| 105   | 730207      |     | Magneto-to-Solid State Conversion Kit (Includes solid state module, Solid State Flywheel Key, and instructions) (Use as required on external ignition engines only) |
| 105   | 34431       |     | Lamination & Coil Assy. (This coil has been superseded to 730207 Solid State Conversion Kit)  |
| 106   | 650814      |     | Screw, 10-24 x 1"   |
| 107   | 611050      |     | Flywheel  |
| 123   | 650815      |     | Washer, Belleville  |
| 124   | 650816      |     | Nut, Flywheel   |
| 128   | 34461       |     | Pulley, Starter   |
| 137   | 631021      |     | Inlet Needle, Seat & Clip Assy.   |
| 140   | 632050      |     | Carburetor (Incl. 71, 72, 95 & 137) (Refer to Division 5, Section A, page A2-10 for breakdown)  |
| 144   | 33906A      |     | * Gasket Set (Incl. items marked *)   |

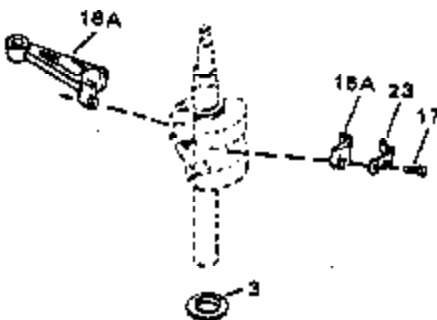
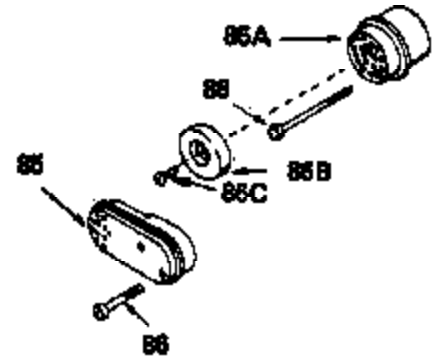
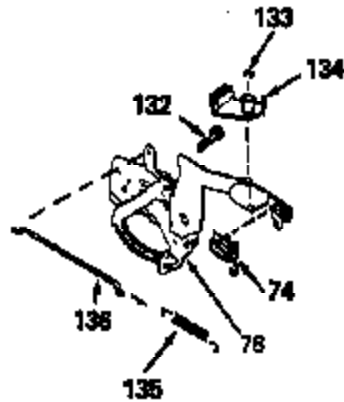
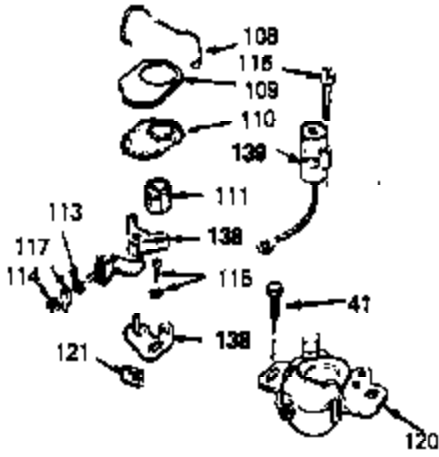
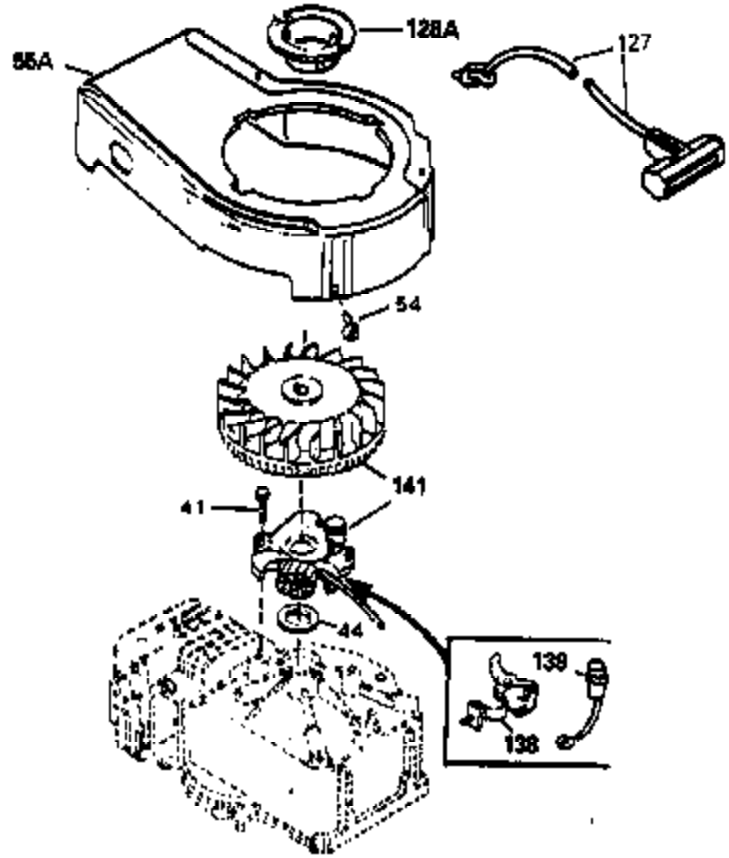
ILLUSTRATION SHOWS TYPICAL PARTS ONLY. ORDER BY PART NUMBER. PARTS NOT LISTED ARE SUPPLIED BY OEM.

131C

131B

131

131A



| Ref # | Part Number | Qty | Description   |
|-------|-------------|-----|---|
| 3     | 32323       |     | Washer, Thrust  |
| 16A   | 32875       |     | Rod Assy., Connecting (Incl. 17)  |
| 17    | 32610A      |     | Bolt, Connecting rod  |
| 23    | 32609       |     | Plate, Lock (Used on early production with No. 32610 connecting rod bolt. Donot use with No. 32610A locking type bolt.) |
| 41    | 650489      |     | Screw, 1/4-20 x 5/8"  |
| 44    | 33876       |     | Gasket, Stator  |
| 54    | 650561      |     | Screw, 1/4-20 x 5/8"  |
| 55A   | 33907A      |     | Housing, Blower   |
| 74    | 610973      |     | Terminal Assy. (Use as required)  |
| 108   | 30551       |     | Spring, Breaker box cover   |
| 109   | 610947      |     | Cover, Dust   |
| 110   | 610955      |     | Gasket, Stator cover  |
| 111   | 30992       |     | Cam, Breaker  |
| 113   | 610385      |     | Washer  |
| 114   | 610408      |     | Nut   |
| 115   | 29181       |     | Breaker Fastening Screw & Washer  |
| 116   | 610593      |     | Screw, Condenser fastening  |
| 117   | 33356       |     | Terminal, Ground  |
| 120   | 611006      |     | Stator (Incl.108, 113 thru 117, 121,1 38,139)   |
| 121   | 30549       |     | Felt, Cam wiper   |
| 127   | 590343      |     | Rope Assy., Starter   |
| 128A  | 33914       |     | Cup (Early production only, not w/650 791)  |
| 138   | 30547A      |     | Contact Assy., Breaker  |
| 139   | 30548B      |     | Condenser   |
| 143   |             |     | Electric Starter Kit (Supplied by OEM )   |