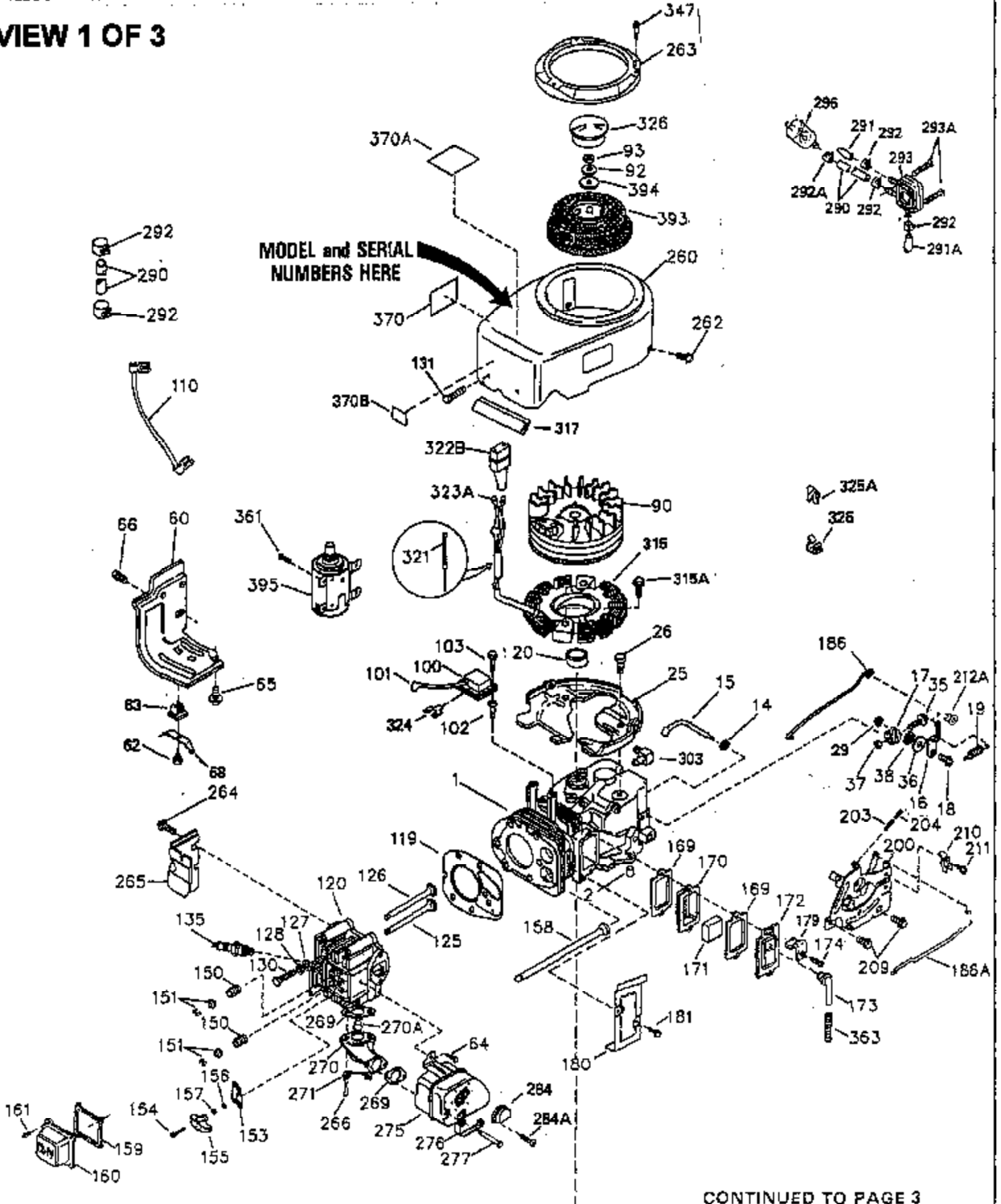


ILLUSTRATION SHOWS TYPICAL PARTS ONLY. ORDER BY PART NUMBER. PARTS NOT LISTED ARE SUPPLIED BY OEM.

# VIEW 1 OF 3



CONTINUED TO PAGE 3

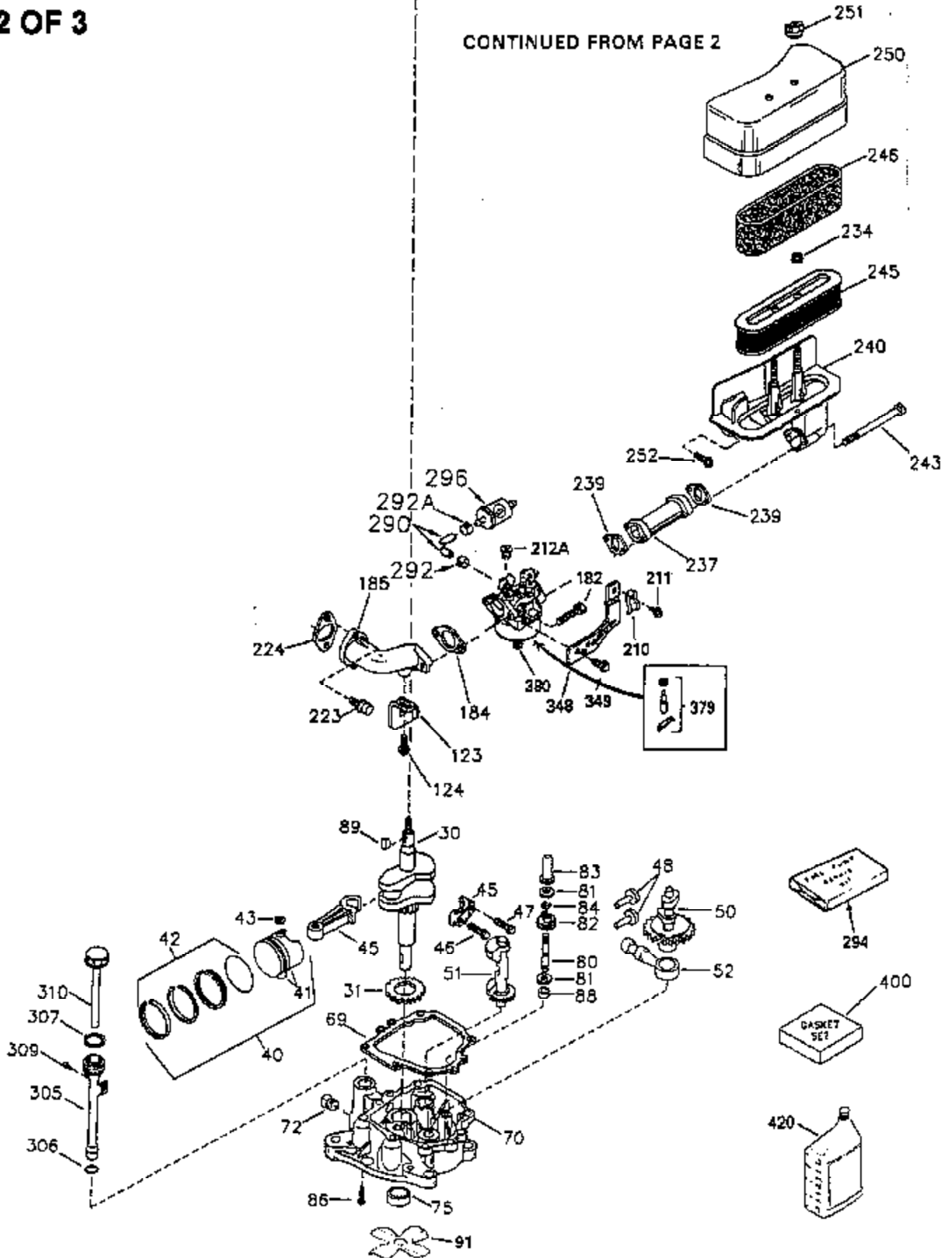
Ref #	Part Number	Qty	Description
1	35323A	1	Cylinder (Incl. 2 & 20)
2	27652	2	Dowel Pin
14	28277	2	Washer
15	35324	1	Governor Rod
16	35520	1	Governor Lever
17	29916	1	Governor Lever Clamp
18	650548	1	Screw, 8-32 x 5/16"
19	35521	1	Extension Spring
20	35319	1	Oil Seal
25	35326	1	Blower Housing Baffle
26	650561	2	Screw, 1/4-20 x 5/8"
28	30322	1	Lock Nut, 8-32
35	29826	1	Screw, 10-32 x 3/4"
36	29918	1	Lock Washer
37	29216	1	Lock Nut, 10-32
38	29642	1	Retaining Ring
60	35316	1	Blower Housing Extension
65	650128	1	Screw, 10-24 x 1/2"
66	30063	2	Screw, Torx T-30, 1/4-20 x 1/2"
90	611093	1	Flywheel (W/Ring Gear)
92	650880	1	Lock Washer
93	650881	1	Flywheel Nut
100	35135	1	Solid State Ignition
101	610118	1	Spark Plug Cover
102	650872	2	Solid State Mounting Stud
103	650814	2	Screw, Torx T-15, 10-24 x 1"
119	35854	1	* Cylinder Head Gasket
120	35307	1	Cylinder Head
121	730218	2	Valve Guide Kit (Incl. 2 of 122)
122	792035	2	Retaining Ring
125	35308	1	Exhaust Valve (Std.)
125	35433	1	Exhaust Valve (1/32" OS)
126	35309	1	Intake Valve (Std.)
126	35432	1	Intake Valve (1/32" OS)
127	650691	6	Washer
128	650690	6	Belleville Washer
129	650746	2	Screw, 5/16-18 x 1-3/8"
130	650692	4	Screw, 5/16-18 x 1-3/4"
135	34046	1	Resistor Spark Plug (RL86C)
141	33481	4	"O" Ring (Also Incl. in 401)
142	35475	2	Push Rod Tube
143	35310	1	Rocker Arm Housing
144	33484	1	"O" Ring (Also Incl. in 401)
145	650168	1	Washer
146	32610A	1	Screw, 1/4-20 x 29/32"
147	33509	1	"O" Ring (Also Incl. in 401)
148	34410	1	"O" Ring (Also Incl. in 401)
149	33510	2	Valve Spring Cap
150	33507	2	Valve Spring
151	33508	2	Valve Spring Keeper
152	35295	2	"O" Ring (Also Incl. in 401)
153	35296	1	Push Rod Guide
154	650878	2	Rocker Arm Stud
155	35297	2	Rocker Arm
156	35298	2	Rocker Arm Bearing
157	28264	2	Lock Nut (Incl. 162) (Also Incl. in 4 01)
158	35466	2	Push Rod
159	35299B	1	"O" Ring (Incl. 2 of 161) (Also Incl. in 401)

Ref #	Part Number	Qty	Description
160	35300	1	Rocker Arm Housing
161	650879	2	Screw, Torx T-20, 8-32 x 1/2"
162	650903	2	Jam Nut
169	27896A	2	* Valve Cover Gasket
170	28423	1	Breather Body
171	28424	1	Breather Element
172	28425	1	Valve Cover
173	35350	1	Breather Tube
174	650128	2	Screw, 10-24 x 1/2"
180	35301	1	Blower Housing Extension
181	650128	1	Screw, 10-24 x 1/2"
186A	35523	1	Choke Link
186	35522	1	Governor Link
200	35524	1	Control Bracket (Incl. 203 & 204)
203	33802	1	Compression Spring
204	650777	1	Screw, 6-32 x 21/32"
209	650902	2	Screw, 10-32 x 7/16"
210	27793	1	Conduit Clip
211	28942	1	Screw, 10-32 x 3/8"
238	650875	2	Screw, 10-32 x 5-1/4"
245A	35404	1	Air Cleaner Filter
260	35794	1	Blower Housing
261	30063	1	Screw, Torx T-30, 1/4-20 x 1/2"
262	29747B	2	Screw, Torx T-40, 5/16-24 x 21/32"
264	650273	2	Screw, 5/16-18 x 5/8"
265	35290	1	Cylinder Head Cover
290	30705	1	Fuel Line
292	26460	2	Fuel Line Clamp
292A	35864	1	Fuel Filter Clamp
296	34279B	1	Fuel Filter (Incl. 292A)
308	35437	1	Fill Tube Clip
308A	33997	1	Fill Tube Clip
315	611113	1	Alternator Coil (3/5 Split) (Incl.321 - 323 )
321	611161	1	Diode
325	27275	1	Wire Clip
361	30063	4	Screw, Torx T-30, 1/4-20 x 1/2"
363	34148	1	Spring
370	34346	1	Instruction Decal
395	35763A	1	Electric Starter Motor (12 Volt)
401	35332	1	* "O" Ring Kit (Also Incl. in 400) 28264 (2), 33481 (4), 33484 ( 1), 33509 (1), 34410 (1), 35295 (2), 35299B (1)

ILLUSTRATION SHOWS TYPICAL PARTS ONLY. ORDER BY PART NUMBER. PARTS NOT LISTED ARE SUPPLIED BY DEM.

**VIEW 2 OF 3**

CONTINUED FROM PAGE 2



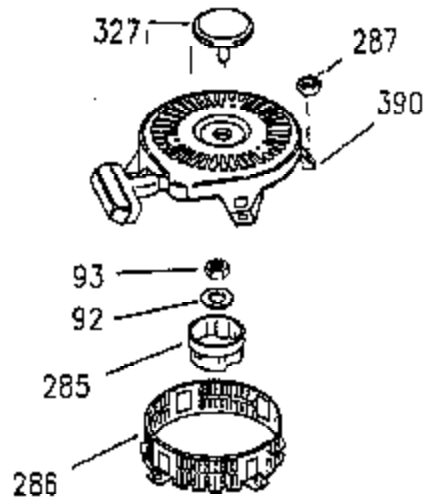
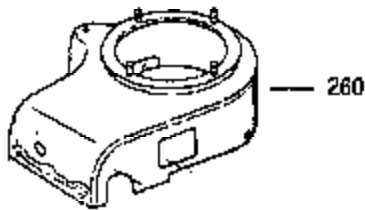
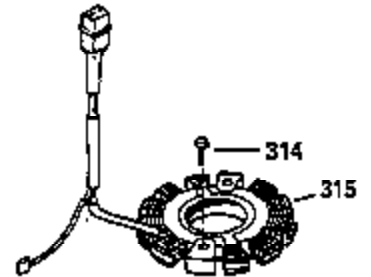
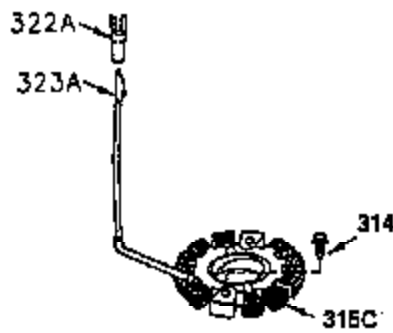
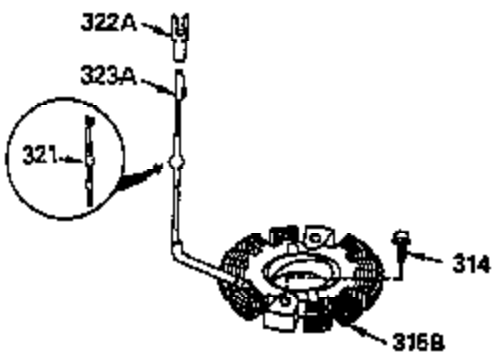
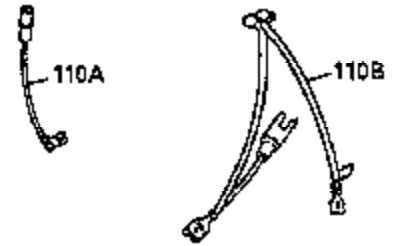
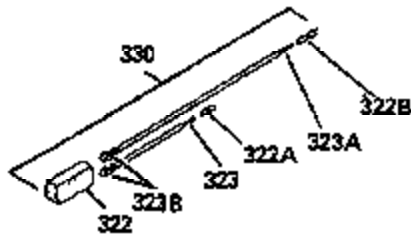
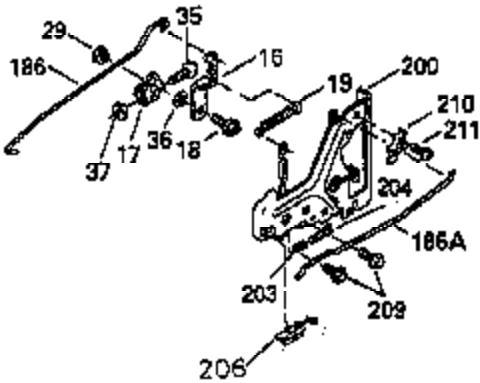
Ref #	Part Number	Qty	Description
28	30322	1	Lock Nut, 8-32
30	35336A	1	Crankshaft
31	35327	1	Counterbalance Gear
40	35776	1	Piston, Pin & Ring Set (Std.)
40	35777	1	Piston, Pin & Ring Set (.010" OS)
40	35778	1	Piston, Pin & Ring Set (.020" OS)
41	35773	1	Piston & Pin Ass'y. (Std.) (Incl. 43)
41	35774	1	Piston & Pin Ass'y. (.010" OS) (Incl. 43)
41	35775	1	Piston & Pin Ass'y. (.020" OS) (Incl. 43)
42	35779	1	Ring Set (Std.)
42	35780	1	Ring Set (.010" OS)
42	35781	1	Ring Set (.020" OS)
43	35772	2	Piston Pin Retaining Ring
45	35330A	1	Connecting Rod Ass'y. (Incl. 46 & 47)
46	650908	1	Connecting Rod Bolt
47	650882	1	Connecting Rod Bolt
48	35313	2	Valve Lifter
50	35939	1	Camshaft (MCR)
51	35315	1	Counterbalance Weight
52	31356	1	Oil Pump Ass'y.
69	35317	1	* Mounting Flange Gasket
70	35711A	1	Mounting Flange (Incl. 72, 75 & 80)
72	31927	1	Oil Drain Plug
75	35319	1	Oil Seal
80	35712	1	Governor Shaft
81	35479	2	Washer
82	35321	1	Governor Gear Ass'y.
83	35322	1	Governor Spool
84	29193	1	Retaining Ring
86	650833	7	Screw, 1/4-20 x 1-3/16"
88	31707A	1	Spacer
89	32589	1	Flywheel Key
91	35935	1	Flywheel Fan
121	730218	2	Valve Guide Kit (Incl. 2 of 122)
122	792035	2	Retaining Ring
123	35288	1	Intake Pipe Brace
124	650738	2	Screw, 1/4-20 x 5/8"
129	650746	2	Screw, 5/16-18 x 1-3/8"
141	33481	4	"O" Ring (Also Incl. in 401)
142	35475	2	Push Rod Tube
143	35310	1	Rocker Arm Housing
144	33484	1	"O" Ring (Also Incl. in 401)
145	650168	1	Washer
146	32610A	1	Screw, 1/4-20 x 29/32"
147	33509	1	"O" Ring (Also Incl. in 401)
148	34410	1	"O" Ring (Also Incl. in 401)
149	33510	2	Valve Spring Cap
152	35295	2	"O" Ring (Also Incl. in 401)
162	650903	2	Jam Nut
182	650517	2	Screw, 1/4-20 x 27/32"
184	33263	1	* Carburetor To Intake Pipe Gasket
185	35856	1	Intake Pipe
210	27793	1	Conduit Clip
211	28942	1	Screw, 10-32 x 3/8"
223	792028	2	Screw, 5/16-18 x 7/8"
224	33515A	1	* Intake Pipe Gasket
234	650825	2	Nut & Lock Washer, 1/4-20
237	35286	1	Air Cleaner Adapter

## Engine Parts List #2

Ref #	Part Number	Qty	Description
238	650875	2	Screw, 10-32 x 5-1/4"
239	33629	2	* Carburetor Gasket
240	35402B	1	Air Cleaner Body (Incl. 239)
245	35403	1	Air Cleaner Filter (Incl. 234)
245A	35404	1	Air Cleaner Filter
250	35405	1	Air Cleaner Cover
251	650886	2	Wing Nut, 1/4-20
252	650887	1	Screw, 1/4-20 x 1"
261	30063	1	Screw, Torx T-30, 1/4-20 x 1/2"
290	30705	1	Fuel Line
292	26460	2	Fuel Line Clamp
292A	35864	1	Fuel Filter Clamp
296	34279B	1	Fuel Filter (Incl. 292A)
305	35574	1	Oil Fill Tube
307	35499	1	"O" Ring
308A	33997	1	Fill Tube Clip
308	35437	1	Fill Tube Clip
310	35576	1	Dipstick
380	632490	1	Carburetor (Incl. 184)
400	35855	1	* Gasket Set (Incl. items marked PK in notes) Incl. part #'s 27896A (2), 28264 (2), 33263 (1), 33481 (4), 33484 (1), 33509 (1), 33515A (1), 33629 (2), 34410 (1), 35295 (2), 35299B (1), 35317 (1), 35762 (2), 35854 (1)
401	35332	1	* "O" Ring Kit (Also Incl. in 400) 28264 (2), 33481 (4), 33484 (1), 33509 (1), 34410 (1), 35295 (2), 35299B (1)
420	730225	1	SAE 30 4-Cycle Engine Oil (Quart)

ILLUSTRATION SHOWS TYPICAL PARTS ONLY. ORDER PART NUMBER. PARTS NOT LISTED ARE SUPPLIED BY OEM.

**VIEW 3 OF 3**



Ref #	Part Number	Qty	Description
	16 35520	1	Governor Lever
	17 29916	1	Governor Lever Clamp
	18 650548	1	Screw, 8-32 x 5/16"
	19 35521	1	Extension Spring
	28 30322	1	Lock Nut, 8-32
	35 29826	1	Screw, 10-32 x 3/4"
	36 29918	1	Lock Washer
	37 29216	1	Lock Nut, 10-32
	92 650880	1	Lock Washer
	93 650881	1	Flywheel Nut
	121 730218	2	Valve Guide Kit (Incl. 2 of 122)
	122 792035	2	Retaining Ring
	129 650746	2	Screw, 5/16-18 x 1-3/8"
	141 33481	4	"O" Ring (Also Incl. in 401)
	142 35475	2	Push Rod Tube
	143 35310	1	Rocker Arm Housing
	144 33484	1	"O" Ring (Also Incl. in 401)
	145 650168	1	Washer
	146 32610A	1	Screw, 1/4-20 x 29/32"
	147 33509	1	"O" Ring (Also Incl. in 401)
	148 34410	1	"O" Ring (Also Incl. in 401)
	149 33510	2	Valve Spring Cap
	152 35295	2	"O" Ring (Also Incl. in 401)
	162 650903	2	Jam Nut
186A	35523	1	Choke Link
186	35522	1	Governor Link
200	35524	1	Control Bracket (Incl. 203 & 204)
203	33802	1	Compression Spring
204	650777	1	Screw, 6-32 x 21/32"
209	650902	2	Screw, 10-32 x 7/16"
210	27793	1	Conduit Clip
211	28942	1	Screw, 10-32 x 3/8"
238	650875	2	Screw, 10-32 x 5-1/4"
245A	35404	1	Air Cleaner Filter
260	35794	1	Blower Housing
261	30063	1	Screw, Torx T-30, 1/4-20 x 1/2"
286	35792		Debris Screen
287	650936	1	Screw, 10-32 x 13/32"
308	35437	1	Fill Tube Clip
308A	33997	1	Fill Tube Clip
314	650873	2	Screw, 1/4-20 x 3/4"
315	611113	1	Alternator Coil (3/5 Split) (Incl. 321 - 323 )
321	611161	1	Diode
322	610921	1	Connector Body
323	610922	1	Terminal
401	35332	1	* "O" Ring Kit (Also Incl. in 400) 28264 (2), 33481 (4), 33484 (1), 33509 (1), 34410 (1), 35295 (2), 35299B (1)