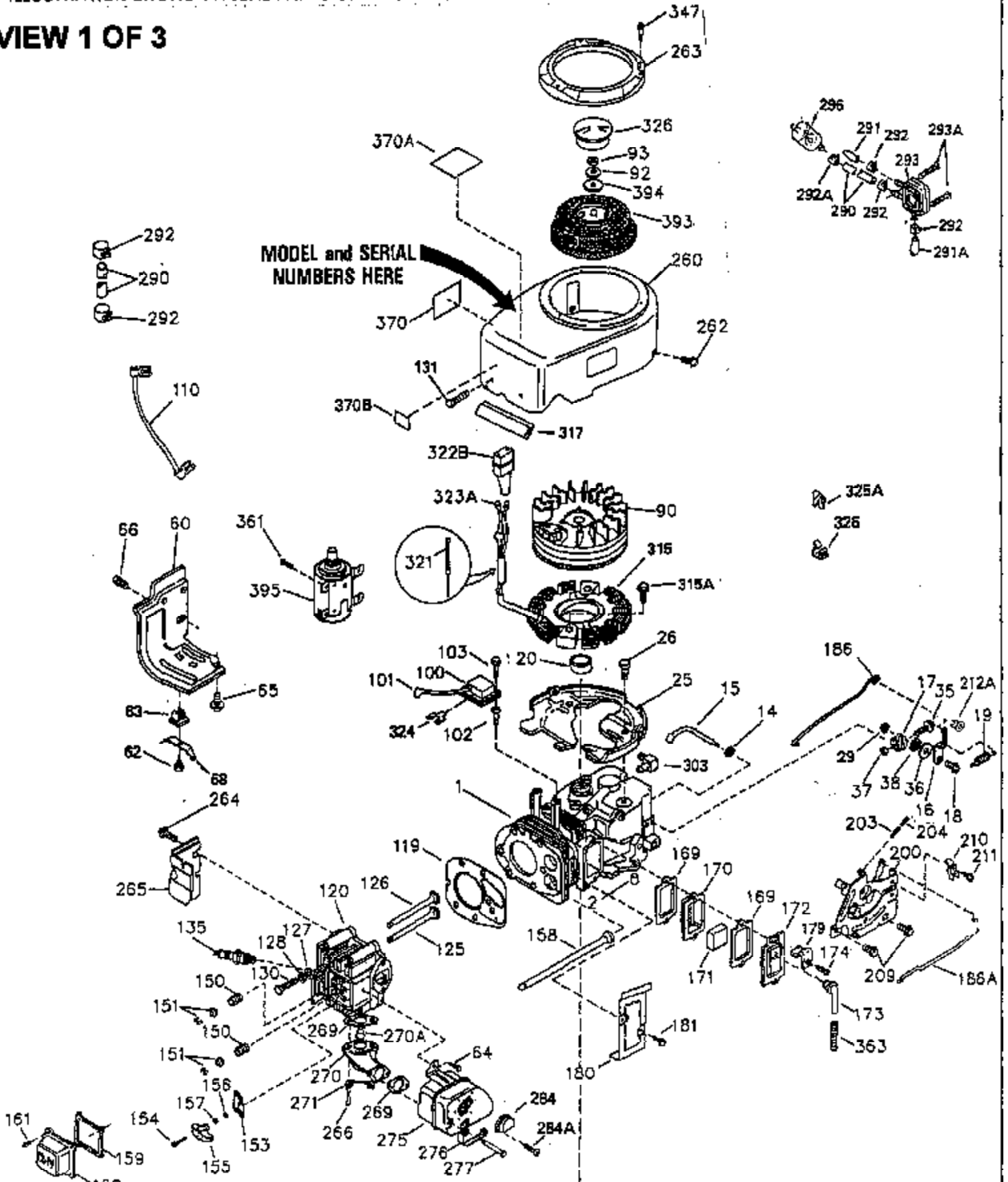


ILLUSTRATION SHOWS TYPICAL PARTS ONLY. ORDER BY PART NUMBER. PARTS NOT LISTED ARE SUPPLIED BY OEM.

VIEW 1 OF 3



CONTINUED TO PAGE 3

Engine Parts List #1

| Ref # | Part Number | Qty | Description |
|-------|-------------|-----|---------------------------------|
| 1 | 35943 | 1 | Cylinder (Incl. 2 & 20) |
| 2 | 27652 | 2 | Dowel Pin |
| 14 | 28277 | 2 | Washer |
| 15 | 35324 | 1 | Governor Rod |
| 16 | 35520 | 1 | Governor Lever |
| 17 | 29916 | 1 | Governor Lever Clamp |
| 18 | 650548 | 1 | Screw, 8-32 x 5/16" |
| 19 | 35945 | 1 | Extension Spring |
| 20 | 35319 | 1 | Oil Seal |
| 25 | 35326 | 1 | Blower Housing Baffle |
| 26 | 650561 | 2 | Screw, 1/4-20 x 5/8" |
| 28 | 30322 | 1 | Lock Nut, 8-32 |
| 35 | 29826 | 1 | Screw, 10-32 x 3/4" |
| 36 | 29918 | 1 | Lock Washer |
| 37 | 29216 | 1 | Lock Nut, 10-32 |
| 38 | 29642 | 1 | Retaining Ring |
| 60 | 35316A | 1 | Blower Housing Extension |
| 62 | 650760 | 1 | Screw, 8-32 x 3/8" |
| 63 | 28545 | 1 | Grommet |
| 64 | 30063 | 2 | Screw, Torx T-30, 1/4-20 x 1/2" |
| 65 | 650128 | 1 | Screw, 10-24 x 1/2" |
| 68 | 33356 | 1 | Ground Terminal |
| 90 | 611094 | 1 | Flywheel (W/Ring Gear) |
| 92 | 650880 | 1 | Lock Washer |
| 93 | 650881 | 1 | Flywheel Nut |
| 100 | 35135 | 1 | Solid State Ignition |
| 101 | 610118 | 1 | Spark Plug Cover |
| 102 | 650872 | 2 | Solid State Mounting Stud |
| 103 | 650814 | 2 | Screw, Torx T-15, 10-24 x 1" |
| 110 | 35183 | 1 | Ground Wire |
| 119 | 35946 | 1 | * Cylinder Head Gasket |
| 120 | 35948 | 1 | Cylinder Head |
| 125 | 35308 | 1 | Exhaust Valve (Std.) |
| 125 | 35433 | 1 | Exhaust Valve (1/32" OS) |
| 126 | 35309 | 1 | Intake Valve (Std.) |
| 126 | 35432 | 1 | Intake Valve (1/32" OS) |
| 127 | 650691 | 6 | Washer |
| 128 | 650690 | 6 | Belleville Washer |
| 130 | 650946 | 6 | Screw, 5/16-18 x 2-45/64" |
| 135 | 34645 | 1 | Resistor Spark Plug (RN4C) |
| 150 | 33507 | 2 | Valve Spring |
| 151 | 33508 | 2 | Valve Spring Keeper |
| 153 | 35949 | 1 | Push Rod Guide |
| 154 | 650945 | 1 | Rocker Arm Stud |
| 155 | 35950 | 1 | Rocker Arm |
| 156 | 650890 | 2 | Lock Washer |
| 157 | 650947 | 1 | Lock Nut, 5/16-24 |
| 158 | 35951 | 2 | Push Rod |
| 159 | 35952 | 1 | * Rocker Arm Cover Gasket |
| 160 | 35953 | 1 | Rocker Arm Housing |
| 161 | 30063 | 4 | Screw, Torx T-30, 1/4-20 x 1/2" |
| 169 | 27896A | 2 | * Valve Cover Gasket |
| 170 | 28423 | 1 | Breather Body |
| 171 | 28424 | 1 | Breather Element |
| 172 | 28425 | 1 | Valve Cover |
| 173 | 35350 | 1 | Breather Tube |
| 174 | 650128 | 2 | Screw, 10-24 x 1/2" |
| 180 | 35954 | 1 | Blower Housing Extension |

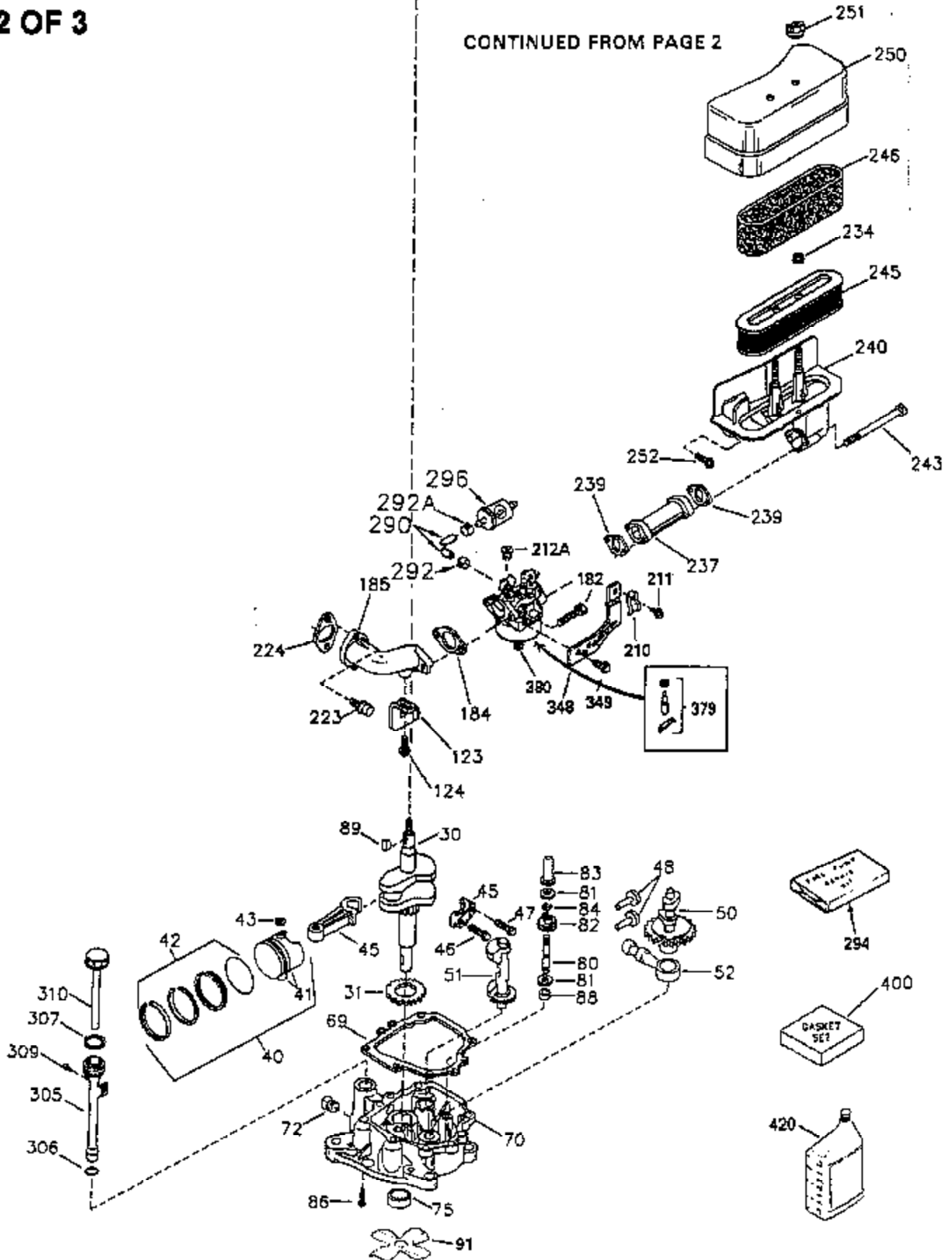
Engine Parts List #1

| Ref # | Part Number | Qty | Description |
|-------|-------------|-----|---|
| 181 | 30200 | 2 | Screw, 10-24 x 9/16" |
| 186 | 35522 | 1 | Governor Link |
| 186A | 35957 | 1 | Choke Link |
| 200 | 35956 | 1 | Control Bracket (Incl. 203 & 204) |
| 203 | 33802 | 1 | Compression Spring |
| 204 | 650777 | 1 | Screw, 6-32 x 21/32" |
| 209 | 650902 | 2 | Screw, 10-32 x 7/16" |
| 210 | 27793 | 1 | Conduit Clip |
| 211 | 28942 | 1 | Screw, 10-32 x 3/8" |
| 238 | 650875 | 2 | Screw, 10-32 x 5-1/4" |
| 245A | 35404 | 1 | Air Cleaner Filter |
| 260 | 35964 | 1 | Blower Housing |
| 261 | 30063 | 2 | Screw, Torx T-30, 1/4-20 x 1/2" |
| 262 | 29747B | 1 | Screw, Torx T-40, 5/16-24 x 21/32" |
| 264 | 650273 | 2 | Screw, 5/16-18 x 5/8" |
| 265 | 35959 | 1 | Cylinder Head Cover |
| 266 | 650876 | 2 | Screw, 5/16-18 x 1-1/4" |
| 269 | 35762 | 2 | * Exhaust Manifold Gasket |
| 270A | 35829A | 1 | Exhaust Port Liner |
| 270 | 35292 | 1 | Exhaust Manifold |
| 271 | 35293 | 1 | Locking Plate |
| 275 | 35294 | 1 | Muffler |
| 276 | 35348 | 1 | Locking Plate |
| 277 | 650877 | 2 | Screw, 5/16-18 x 4-1/2" |
| 290 | 30705 | 1 | Fuel Line (15.50") |
| 292 | 26460 | 2 | Fuel Line Clamp |
| 298 | 28763 | 2 | Screw, 10-32 x 35/64" |
| 300 | 33583B | 1 | Fuel Tank (Incl. 292 & 301) |
| 301 | 35355 | 1 | Fuel Cap |
| 308 | 35437 | 1 | Fill Tube Clip |
| 315 | 611159 | 1 | Alternator Coil (10 Amp) (Incl.322A & 323A) |
| 323A | 611118 | 1 | Terminal |
| 325 | 34246 | 1 | Wire Clip |
| 326 | 35392 | 1 | Starter Plug |
| 361 | 30063 | 4 | Screw, Torx T-30, 1/4-20 x 1/2" |
| 363 | 34148 | 1 | Spring |
| 370 | 34346 | 1 | Instruction Decal |
| 370B | 35274 | 1 | Instruction Decal |
| 370A | 34686 | 1 | Name Decal |
| 395 | 35763A | 1 | Electric Starter Motor (12 Volt) |

ILLUSTRATION SHOWS TYPICAL PARTS ONLY. ORDER BY PART NUMBER. PARTS NOT LISTED ARE SUPPLIED BY DEM.

VIEW 2 OF 3

CONTINUED FROM PAGE 2



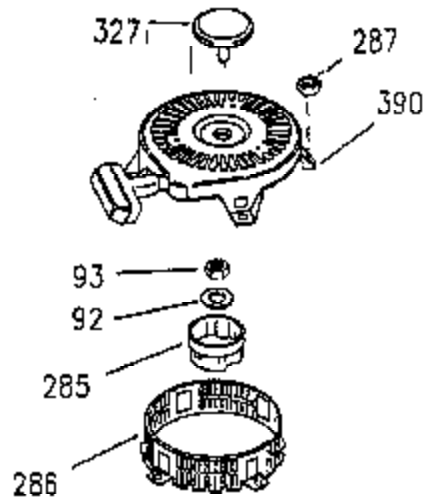
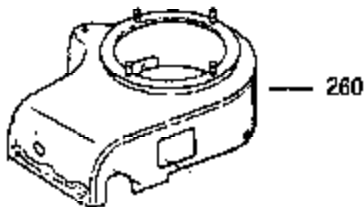
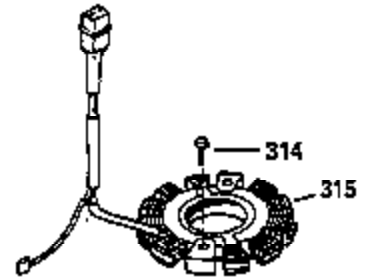
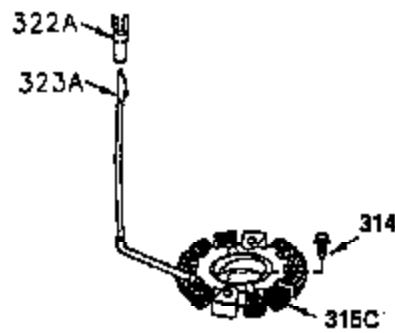
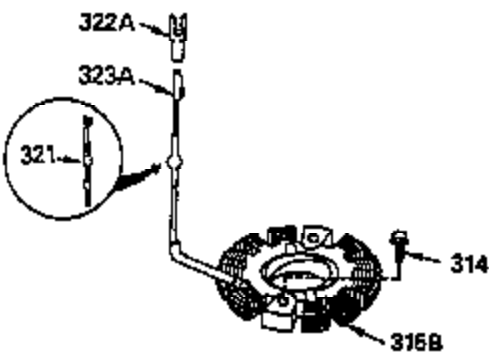
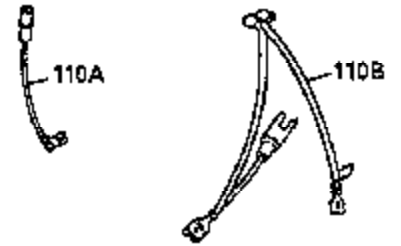
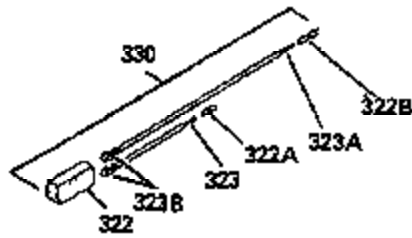
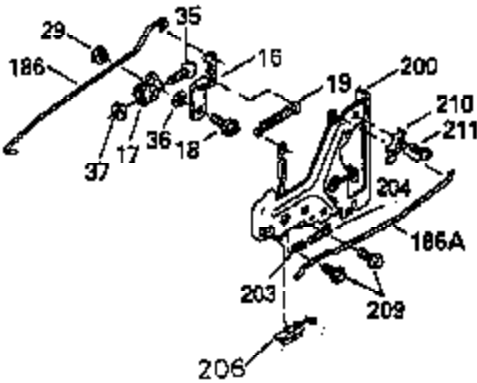
Engine Parts List #2

| Ref # | Part Number | Qty | Description |
|-------|-------------|-----|---|
| 28 | 30322 | 1 | Lock Nut, 8-32 |
| 30 | 35336B | 1 | Crankshaft |
| 31 | 35327 | 1 | Counterbalance Gear |
| 40 | 35776 | 1 | Piston, Pin & Ring Set (Std.) |
| 40 | 35777 | 1 | Piston, Pin & Ring Set (.010" OS) |
| 40 | 35778 | 1 | Piston, Pin & Ring Set (.020" OS) |
| 41 | 35773 | 1 | Piston & Pin Ass'y. (Std.) (Incl. 43) |
| 41 | 35774 | 1 | Piston & Pin Ass'y. (.010" OS) (Incl. 43) |
| 41 | 35775 | 1 | Piston & Pin Ass'y. (.020" OS) (Incl. 43) |
| 42 | 35779 | 1 | Ring Set (Std.) |
| 42 | 35780 | 1 | Ring Set (.010" OS) |
| 42 | 35781 | 1 | Ring Set (.020" OS) |
| 43 | 35772 | 2 | Piston Pin Retaining Ring |
| 45 | 35330A | 1 | Connecting Rod Ass'y. (Incl. 46 & 47) |
| 46 | 650908 | 1 | Connecting Rod Bolt |
| 47 | 650882 | 1 | Connecting Rod Bolt |
| 48 | 35313 | 2 | Valve Lifter |
| 50 | 35939 | 1 | Camshaft (MCR) |
| 51 | 35315A | 1 | Counterbalance Weight |
| 52 | 31356 | 1 | Oil Pump Ass'y. |
| 69 | 35317 | 1 | * Mounting Flange Gasket |
| 70 | 35711A | 1 | Mounting Flange (Incl. 72, 75 & 80) |
| 72 | 31927 | 1 | Oil Drain Plug |
| 75 | 35319 | 1 | Oil Seal |
| 80 | 35712 | 1 | Governor Shaft |
| 81 | 35479 | 2 | Washer |
| 82 | 35321 | 1 | Governor Gear Ass'y. |
| 83 | 35322 | 1 | Governor Spool |
| 84 | 29193 | 1 | Retaining Ring |
| 86 | 650833 | 7 | Screw, 1/4-20 x 1-3/16" |
| 88 | 31707A | 1 | Spacer |
| 89 | 32589 | 1 | Flywheel Key |
| 123 | 35288 | 1 | Intake Pipe Brace |
| 124 | 650738 | 2 | Screw, 1/4-20 x 5/8" |
| 182 | 650517 | 2 | Screw, 1/4-20 x 27/32" |
| 184 | 33263 | 1 | * Carburetor To Intake Pipe Gasket |
| 185 | 35955 | 1 | Intake Pipe |
| 210 | 27793 | 1 | Conduit Clip |
| 211 | 28942 | 1 | Screw, 10-32 x 3/8" |
| 223 | 792028 | 2 | Screw, 5/16-18 x 7/8" |
| 224 | 35958 | 1 | * Intake Pipe Gasket |
| 234 | 650825 | 2 | Nut & Lock Washer, 1/4-20 |
| 237 | 35286 | 1 | Air Cleaner Adapter |
| 238 | 650875 | 2 | Screw, 10-32 x 5-1/4" |
| 239 | 33629 | 2 | * Air Cleaner Gasket |
| 240 | 35960 | 1 | Air Cleaner Body (Incl. 239) |
| 245A | 35404 | 1 | Air Cleaner Filter |
| 245 | 35403 | 1 | Air Cleaner Filter (Incl. 234) |
| 250 | 35961 | 1 | Air Cleaner Cover |
| 251 | 650886 | 2 | Wing Nut, 1/4-20 |
| 252 | 650887 | 1 | Screw, 1/4-20 x 1" |
| 261 | 30063 | 2 | Screw, Torx T-30, 1/4-20 x 1/2" |
| 290 | 30705 | 1 | Fuel Line (15.50") |
| 292 | 26460 | 2 | Fuel Line Clamp |
| 298 | 28763 | 2 | Screw, 10-32 x 35/64" |
| 300 | 33583B | 1 | Fuel Tank (Incl. 292 & 301) |
| 301 | 35355 | 1 | Fuel Cap |
| 305 | 35574 | 1 | Oil Fill Tube |

| Ref # | Part Number | Qty | Description |
|-------|-------------|-----|--|
| 307 | 35499 | 1 | "O" Ring |
| 308 | 35437 | 1 | Fill Tube Clip |
| 309 | 29747B | 1 | Screw, Torx T-40, 5/16-24 x 21/32" |
| 310 | 35576 | 1 | Dipstick |
| 380 | 632627 | 1 | Carburetor (Includes 184) |
| 400 | 35947 | 1 | * Gasket Set (Incl. items marked PK i n notes) Incl. part #'s 27896A (2), 33263 (1), 33629 (2), 34265 (1), 35317 (1), 35762 (2), 35946 (1), 35952 (1), 35958 (1) |
| 420 | 730225 | 1 | SAE 30 4-Cycle Engine Oil (Quart) |

ILLUSTRATION SHOWS TYPICAL PARTS ONLY. ORDER PART NUMBER. PARTS NOT LISTED ARE SUPPLIED BY OEM.

VIEW 3 OF 3



| Ref # | Part Number | Qty | Description |
|-------|-------------|-----|---|
| 16 | 35520 | 1 | Governor Lever |
| 17 | 29916 | 1 | Governor Lever Clamp |
| 18 | 650548 | 1 | Screw, 8-32 x 5/16" |
| 19 | 35945 | 1 | Extension Spring |
| 28 | 30322 | 1 | Lock Nut, 8-32 |
| 35 | 29826 | 1 | Screw, 10-32 x 3/4" |
| 36 | 29918 | 1 | Lock Washer |
| 37 | 29216 | 1 | Lock Nut, 10-32 |
| 92 | 650880 | 1 | Lock Washer |
| 93 | 650881 | 1 | Flywheel Nut |
| 186A | 35957 | 1 | Choke Link |
| 186 | 35522 | 1 | Governor Link |
| 200 | 35956 | 1 | Control Bracket (Incl. 203 & 204) |
| 203 | 33802 | 1 | Compression Spring |
| 204 | 650777 | 1 | Screw, 6-32 x 21/32" |
| 209 | 650902 | 2 | Screw, 10-32 x 7/16" |
| 210 | 27793 | 1 | Conduit Clip |
| 211 | 28942 | 1 | Screw, 10-32 x 3/8" |
| 238 | 650875 | 2 | Screw, 10-32 x 5-1/4" |
| 245A | 35404 | 1 | Air Cleaner Filter |
| 260 | 35964 | 1 | Blower Housing |
| 261 | 30063 | 2 | Screw, Torx T-30, 1/4-20 x 1/2" |
| 285 | 35985 | 1 | Starter Cup |
| 286 | 35446 | 1 | Starter Screen |
| 287 | 29752 | 4 | Nut & Lock Washer, 1/4-28 |
| 298 | 28763 | 2 | Screw, 10-32 x 35/64" |
| 300 | 33583B | 1 | Fuel Tank (Incl. 292 & 301) |
| 301 | 35355 | 1 | Fuel Cap |
| 308 | 35437 | 1 | Fill Tube Clip |
| 314 | 650873 | 2 | Screw, 1/4-20 x 3/4" |
| 315 | 611159 | 1 | Alternator Coil (10 Amp) (Incl.322A & 323A) |
| 322A | 611117 | 1 | Connector Body |
| 323A | 611118 | 1 | Terminal |
| 390 | 590671 | 1 | Rewind Starter |