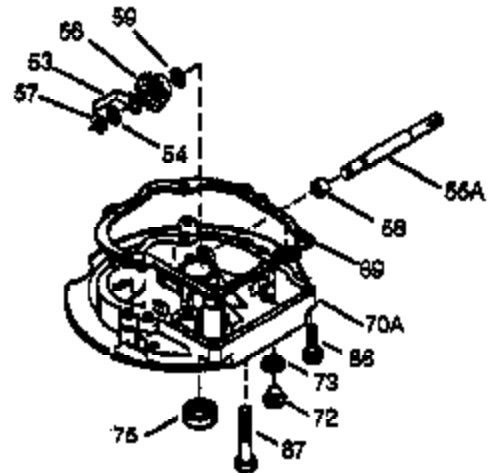
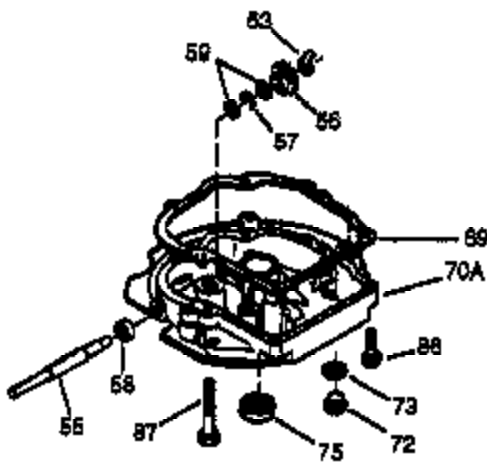
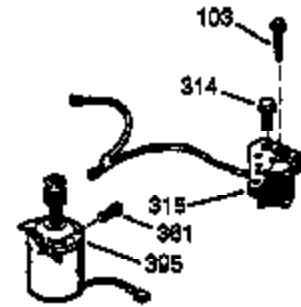
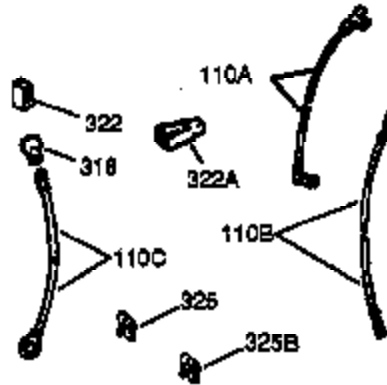
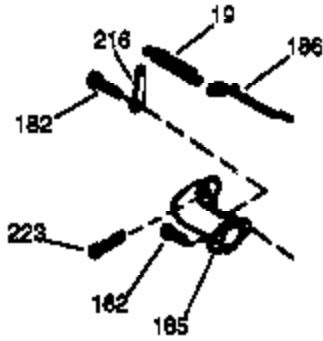
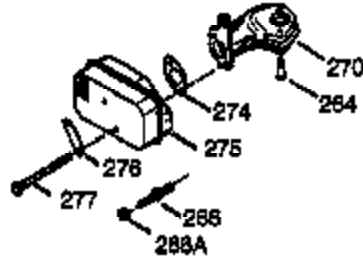
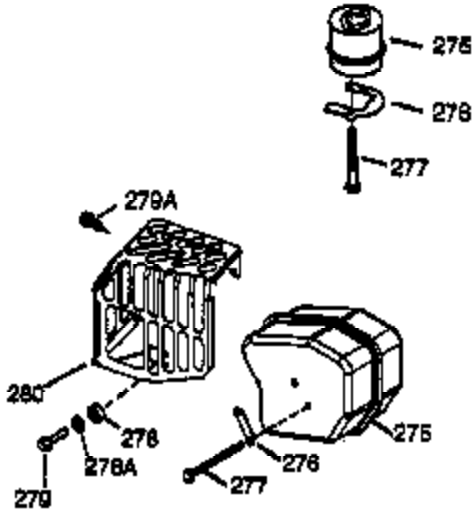


| Ref # | Part Number | Qty | Description |
|-------|-------------|-----|---|
| | 1 37129 | 1 | Cylinder (Incl. 2 & 20) |
| | 2 26727 | 2 | Dowel Pin |
| | 6 33734 | 1 | Breather Element |
| | 7 36557 | 1 | Breather Ass'y. (Incl. 6 & 12A) |
| 12A | 36558 | 1 | Breather Cover & Tube |
| | 14 28277 | 1 | Washer |
| | 15 30589 | 1 | Governor Rod (Incl. 14) |
| | 16 34839A | 1 | Governor Lever |
| | 17 31335 | 1 | Governor Lever Clamp |
| | 18 651018 | 1 | Screw, Torx T-15, 8-32 x 19/64" |
| | 19 36796 | 1 | Extension Spring |
| | 20 32600 | 1 | Oil Seal |
| | 30 36696A | 1 | Crankshaft |
| | 40 40004 | 1 | Piston, Pin & Ring Set (Std.) |
| | 40 40005 | 1 | Piston, Pin & Ring Set (.010" OS) |
| | 41 36070 | 1 | Piston & Pin Ass'y. (Std.) |
| | 41 36071 | 1 | Piston & Pin Ass'y. (.010" OS) (Incl. 43) |
| | 42 40006 | 1 | Ring Set (Std.) |
| | 42 40007 | 1 | Ring Set (.010" OS) |
| | 43 20381 | 2 | Piston Pin Retaining Ring |
| | 45 32875A | 1 | Connecting Rod Ass'y. (Incl. 46) |
| | 46 32610A | 2 | Connecting Rod Bolt |
| | 48 35616 | 2 | Valve Lifter |
| | 50 37011 | 1 | Camshaft (MCR) |
| | 52 29914 | 1 | Oil Pump Ass'y. |
| | 60 37133 | 1 | Blower Housing Extension |
| | 65 650735 | 2 | Screw, 10-24 x 3/8" |
| | 69 37797 | 1 | * Mounting Flange Gasket |
| | 70 34311E | 1 | Mounting Flange (Incl. 72 thru 83,306) |
| | 72 36083 | 1 | Oil Drain Plug |
| 72A | 28534 | 1 | Oil Drain Plug |
| | 75 27897 | 1 | Oil Seal |
| | 80 30574A | 1 | Governor Shaft |
| | 81 30590A | 1 | Washer |
| | 82 30591 | 1 | Governor Gear Ass'y. (Incl. 81) |
| | 83 30588A | 1 | Governor Spool |
| | 86 650488 | 6 | Screw, 1/4-20 x 1-1/4" |
| | 89 611004 | 1 | Flywheel Key |
| | 90 611112 | 1 | Flywheel |
| | 92 650815 | 1 | Belleville Washer |
| | 93 650816 | 1 | Flywheel Nut |
| 100 | 34443B | 1 | Solid State Ignition |
| 101 | 610118 | 1 | Spark Plug Cover |
| 103 | 651007 | 2 | Screw, Torx T-15, 10-24 x 15/16" |
| 110 | 37047 | 1 | Ground Wire |
| 119 | 36719 | 1 | * Cylinder Head Gasket |
| 120 | 36728 | 1 | Cylinder Head |
| 125 | 36471 | 1 | Exhaust Valve (Std.) (Incl. 151) |
| 125 | 36472 | 1 | Exhaust Valve (1/32" OS) (Incl. 151) |
| 126 | 37711 | 1 | Intake Valve (Std.) (Incl. 151) |
| 126 | 29315C | 1 | Intake Valve (1/32" OS) (Incl. 151) |
| 130A | 650999 | 1 | Screw, 5/16-18 x 2-41/64" |
| 130 | 650912 | 4 | Screw, 5/16-18 x 1-1/2" |
| 135 | 34645 | 1 | Resistor Spark Plug (RN4C) |
| 150 | 31672 | 2 | Valve Spring |
| 151 | 31673 | 2 | Valve Spring Cap |
| 153 | 36649 | 1 | Push Rod Guide |
| 154 | 650913 | 1 | Rocker Arm Stud |

| Ref # | Part Number | Qty | Description |
|-------|-------------|-----|--|
| 155 | 35624A | 1 | Rocker Arm |
| 157 | 650914 | 1 | Lock Nut |
| 158 | 36629 | 2 | Push Rod |
| 159 | 35626 | 1 | * Rocker Arm Cover Gasket |
| 160 | 35627 | 1 | Rocker Arm Housing |
| 161 | 30063 | 4 | Screw, Torx T-30, 1/4-20 x 1/2" |
| 178 | 29752 | 2 | Nut & Lock Washer, 1/4-28 |
| 182 | 30088A | 2 | Screw, 1/4-28 x 1" |
| 184 | 26756 | 1 | * Carburetor Gasket |
| 185 | 36579 | 1 | Intake Pipe |
| 186 | 36255 | 1 | Governor Link |
| 187 | 36580 | 1 | Spacer |
| 189 | 650839 | 2 | Screw, 1/4-20 x 3/8" |
| 189A | 650356 | 1 | Screw, Torx T-30, 1/4-20 x 3/8" |
| 191 | 36734 | 1 | S.E. Brake Ass'y. (Incl. 195) |
| 195 | 610973 | 1 | Terminal |
| 200 | 35999 | 1 | Control Bracket |
| 207 | 36200 | 1 | Throttle Link |
| 209 | 30200 | 2 | Screw, 10-24 x 9/16" |
| 223 | 651044 | 1 | Screw, 1/4-20 x 2-25/32" |
| 224 | 36581 | 2 | * Intake Pipe Gasket |
| 238 | 650937 | 2 | Screw, 10-32 x 43/64" |
| 239 | 35848 | 1 | * Air Cleaner Gasket |
| 243 | 650966 | 2 | Screw, M-5 x 0.8-6g x 2-7/16" |
| 245 | 35500 | 1 | Air Cleaner Filter |
| 250 | 37016 | 1 | Air Cleaner Cover |
| 260 | 37012 | 1 | Blower Housing |
| 261 | 30063 | 2 | Screw, Torx T-30, 1/4-20 x 1/2" |
| 262 | 650831 | 2 | Screw, 1/4-20 x 1/2" |
| 266 | 651040 | 1 | Stud |
| 266A | 650852 | 1 | Nut & Lock Washer, 1/4-20 |
| 275 | 37088 | 1 | Muffler |
| 277 | 651039 | 2 | Screw, 1/4-20 x 2-47/64" |
| 285 | 35000A | 1 | Starter Cup |
| 287 | 650926 | 2 | Screw, 8-32 x 21/64" |
| 290 | 29774 | 1 | Fuel Line |
| 292 | 26460 | 2 | Fuel Line Clamp |
| 301 | 36246 | 1 | Fuel Cap |
| 305 | 37014 | 1 | Oil Fill Tube |
| 306 | 36996 | 1 | * "O" Ring |
| 307 | 35499 | 1 | "O"-Ring |
| 309 | 650562 | 1 | Screw, 10-32 x 1/2" |
| 310 | 35507 | 1 | Dipstick |
| 313 | 34080 | 1 | Spacer |
| 341A | 36578 | 1 | Blower Housing Support Bracket |
| 359 | 36955 | 1 | Starter Guard |
| 370A | 36261 | 2 | Lubrication Decal |
| 370C | 37199 | 1 | Primer Decal |
| 380 | 640120 | 1 | Carburetor (Incl. 184) |
| 390 | 590739 | 1 | Rewind Starter (NOTE: This engine could hav been built with 590702 starter). |
| 400 | 37825 | 1 | * Gasket Set (Incl. items marked PK i n notes) |
| 420 | 730225 | 1 | SAE 30 4-Cycle Engine Oil (Quart) |

| Ref # | Part Number | Qty | Description |
|-------|-------------|-----|--|
| 178 | 29752 | 2 | Nut & Lock Washer, 1/4-28 |
| 238 | 650937 | 2 | Screw, 10-32 x 43/64" |
| 239 | 35848 | 1 | * Air Cleaner Gasket |
| 240 | 37015 | 1 | Air Cleaner Body (Incl. 239 & 243B) |
| 243 | 650966 | 2 | Screw, M-5 x 0.8-6g x 2-7/16" |
| 243B | 650967 | 2 | Square Nut, M-5 x 0.8-6H |
| 245 | 35500 | 1 | Air Cleaner Filter |
| 250 | 37016 | 1 | Air Cleaner Cover |
| 263A | 37013 | 1 | Starter Grill |
| 287 | 650926 | 2 | Screw, 8-32 x 21/64" |
| 298 | 28763 | 3 | Screw, 10-32 x 35/64" |
| 300 | 37020 | 1 | Fuel Tank (Incl. 292 & 301) |
| 301 | 36246 | 1 | Fuel Cap |
| 390 | 590739 | 1 | Rewind Starter (NOTE: This engine could hav been built with 590702 starter). |
| 490 | 37018 | 1 | Cover |



| Ref # | Part Number | Qty | Description |
|-------|-------------|-----|----------------------------------|
| 19 | 36796 | 1 | Extension Spring |
| 69 | 37797 | 1 | * Mounting Flange Gasket |
| 72 | 36083 | 1 | Oil Drain Plug |
| 75 | 27897 | 1 | Oil Seal |
| 86 | 650488 | 6 | Screw, 1/4-20 x 1-1/4" |
| 103 | 651007 | 2 | Screw, Torx T-15, 10-24 x 15/16" |
| 178 | 29752 | 2 | Nut & Lock Washer, 1/4-28 |
| 182 | 30088A | 2 | Screw, 1/4-28 x 1" |
| 185 | 36579 | 1 | Intake Pipe |
| 186 | 36255 | 1 | Governor Link |
| 223 | 651044 | 1 | Screw, 1/4-20 x 2-25/32" |
| 266 | 651040 | 1 | Stud |
| 266A | 650852 | 1 | Nut & Lock Washer, 1/4-20 |
| 275 | 37088 | 1 | Muffler |
| 276 | 36949 | 1 | Locking Plate |
| 277 | 651039 | 2 | Screw, 1/4-20 x 2-47/64" |