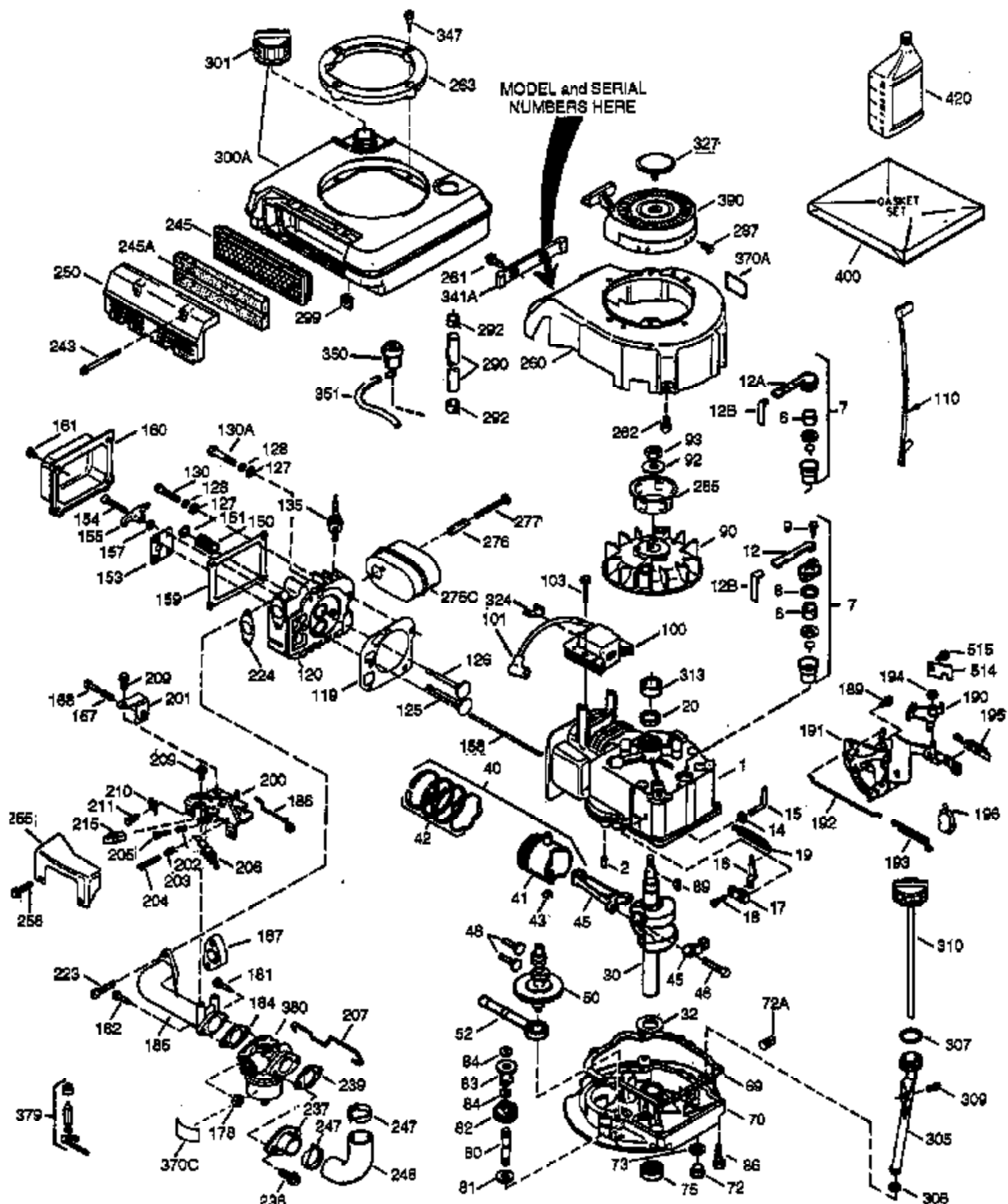


ILLUSTRATION SHOWS TYPICAL PARTS ONLY. ORDER BY PART NUMBER. PARTS NOT LISTED ARE SUPPLIED BY OEM.  
**VIEW 1 OF 3**



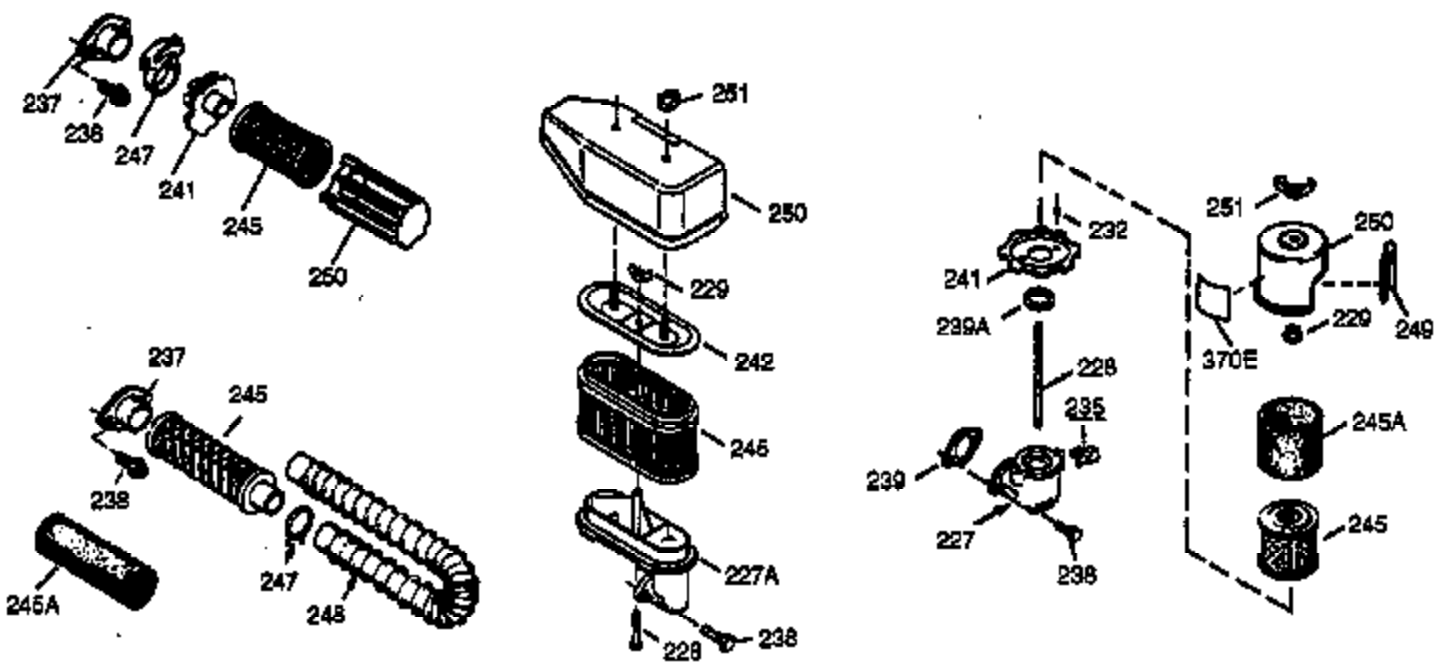
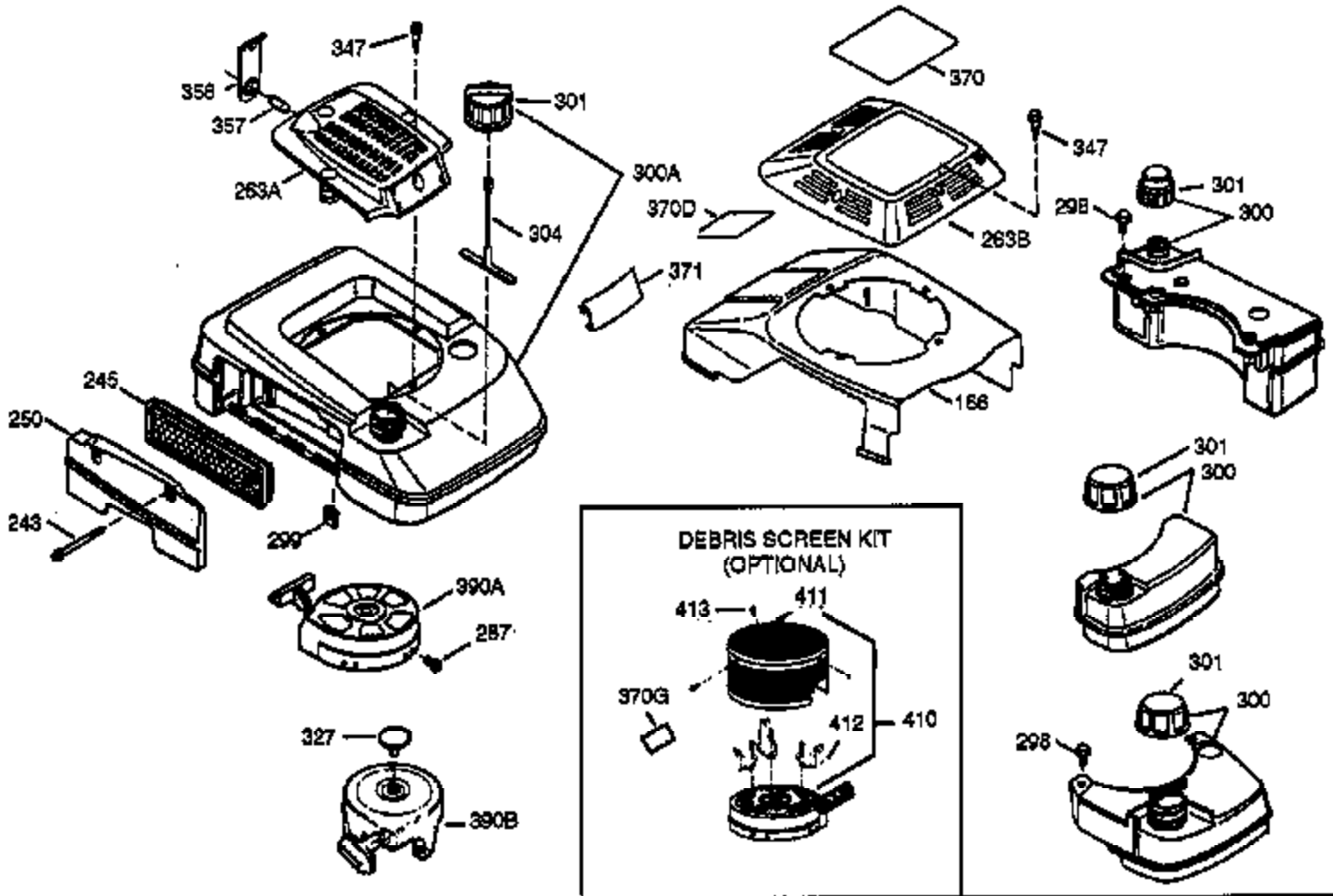
Ref #	Part Number	Qty	Description
1	36574	1	Cylinder (Incl. 2,7 & 20)
2	26727	2	Dowel Pin
6	33734	1	Breather Element
7	36557	1	Breather Ass'y
12B	34695	1	Breather Tube Elbow
12A	36558	1	Breather Cover & Tube (Incl. 12B)
14	28277	1	Washer
15	30589	1	Governor Rod (Incl. 14)
16	32651	1	Governor Lever
17	31335	1	Governor Lever Clamp
18	650548	1	Screw, 8-32 x 5/16"
19	36281	1	Extension Spring
20	32600	1	Oil Seal
30	36587	1	Crankshaft
40	35544A	1	Piston, Pin & Ring Set (Std.)
40	35545A	1	Piston, Pin & Ring Set (.010" OS)
40	35546	1	Piston, Pin & Ring Set (.020" OS)
41	35541	1	Piston & Pin Ass'y (Std.)
41	35542	1	Piston & Pin Ass'y (.010" OS) (Incl. 43)
41	35543	1	Piston & Pin Ass'y (.020" OS) (Incl. 43)
42	35547A	1	Ring Set (Std.)
42	35548A	1	Ring Set (.010" OS)
42	35549	1	Ring Set (.020" OS)
43	20381	2	Piston Pin Retaining Ring
45	32875A	1	Connecting Rod Ass'y (Incl. 46)
46	32610A	2	Connecting Rod Bolt
48	35616	2	Valve Lifter
50	36573	1	Camshaft (BCR)
52	29914	1	Oil Pump Ass'y.
69	35261	1	* Mounting Flange Gasket
70	34311D	1	Mounting Flange (Incl. 72 thru 83)
72	36083	1	Oil Drain Plug
75	27897	1	Oil Seal
80	30574A	1	Governor Shaft
81	30590A	1	Washer
82	30591	1	Governor Gear Ass'y (Incl. 81)
83	30588A	1	Governor Spool
86	650488	6	Screw, 1/4-20 x 1-1/4"
89	611004	1	Flywheel Key
90	611112	1	Flywheel
92	650815	1	Belleville Washer
93	650816	1	Flywheel Nut
100	34443A	1	Solid State Ignition
101	610118	1	Spark Plug Cover
103	651007	2	Screw, Torx T-15, 10-24 x 15/16"
110	34961	1	Ground Wire
119	36575	1	* Cylinder Head Gasket
120	36576	1	Cylinder Head
125	36471	1	Exhaust Valve (Std.) (Incl. 151)
125	36472	1	Exhaust Valve (1/32" OS) (Incl. 151)
126	37711	1	Intake Valve (Std.) (Incl. 151)
126	29315C	1	Intake Valve (1/32" OS) (Incl. 151)
127	650691	5	Washer
128	650690	5	Belleville Washer
130A	650999	1	Screw, 5/16-18 x 2-41/64"
130	650912	4	Screw, 5/16-18 x 1-1/2"
135	34645	1	Resistor Spark Plug (RN4C)
150	31672	2	Valve Spring

Ref #	Part Number	Qty	Description
151	31673	2	Valve Spring Cap
153	35623	1	Push Rod Guide
154	650913	1	Rocker Arm Stud
155	35624A	1	Rocker Arm
157	650914	1	Lock Nut
158	36577	2	Push Rod
159	35626	1	* Rocker Arm Cover Gasket
160	35627	1	Rocker Arm Housing
161	30063	2	Screw, Torx T-30, 1/4-20 x 1/2"
178	29752	2	Nut & Lock Washer, 1/4-28
182	30088A	2	Screw, 1/4-28 x 1"
184	26756	1	* Carburetor Gasket
185	36579	1	Intake Pipe
186	34337	1	Governor Link
187	36580	1	Spacer
189	650839	1	Screw, 1/4-20 x 3/8"
191	36559	1	S.E. Brake Ass'y (Incl. 195)
195	610973	1	Terminal
200	33131A	1	Control Bracket (Incl. 202 thru 206)
202	36482	1	Compression Spring
203	31342	1	Compression Spring
204	650549	1	Screw, 5-40 x 7/16"
205	650777	1	Screw, 6-32 x 21/32"
206	610973	1	Terminal
207	34336	1	Throttle Link
209	30200	2	Screw, 10-24 x 9/16"
210	27793	1	Conduit Clip
211	28942	1	Screw, 10-32 x 3/8"
223	651043	1	Screw, 1/4-20 x 1-31/64"
223A	651044	1	Screw, 1/4-20 x 2-25/32"
224	36581	1	* Intake Pipe Gasket
238	650932	2	Screw, 10-32 x 49/64"
239	34338	1	* Air Cleaner Gasket
245	35066	1	Air Cleaner Filter
250	35986	1	Air Cleaner Cover
260	36583	1	Blower Housing
261	30063	2	Screw, Torx T-30, 1/4-20 x 1/2"
262	650831	2	Screw, 1/4-20 x 1/2"
263	36280	1	Trim Ring
277	650988	2	Screw, 1/4-20 x 2-5/16"
285	35000A	1	Starter Cup
287	650926	2	Screw, 8-32 x 21/64"
290	29774	1	Fuel Line
292	26460	2	Fuel Line Clamp
301	36246	1	Fuel Cap
305	36270	1	Oil Fill Tube
306	34265	1	* "O" Ring
307	36272	1	"O"-Ring
309	650936	1	Screw, 10-32 x 13/32"
310	36271	1	Dipstick
313	34080	1	Spacer
324	33177	1	Terminal
327	35392	1	Starter Plug
341A	36578	1	Blower Housing Support Bracket
370A	36261	1	Lubrication Decal
380	632713	1	Carburetor (Incl. 184)

Ref #	Part Number	Qty	Description
390	590694	1	Rewind Starter (NOTE: This engine could have been built with 590686 starter. Refer to the design of the air intake louvers for part identification. Individual starter parts do not interchange.)
400	36584	1	* Gasket Set (Incl. items marked PK i n notes.) Incl. part #'s 26756 (1), 34265 (1), 34338 (1), 35261 (1), 35626 (1), 36575 (1), 36581 (1)
420	730225	1	SAE 30 4-Cycle Engine Oil (Quart)
514	36458	1	Brake Lock Out Device (Incl. 515) WARNING! Do not use the brake lock out device on engines required to meet CPSC safety standard for walkbehind power lawnmowers, Title 16, Part 1205 of the code of Federal Regulations or you will be in violationof the law.
515	650926	1	Screw, 8-32 x 21/32"

ILLUSTRATION SHOWS TYPICAL PARTS ONLY. ORDER BY PART NUMBER. PARTS NOT LISTED ARE SUPPLIED BY OEM.

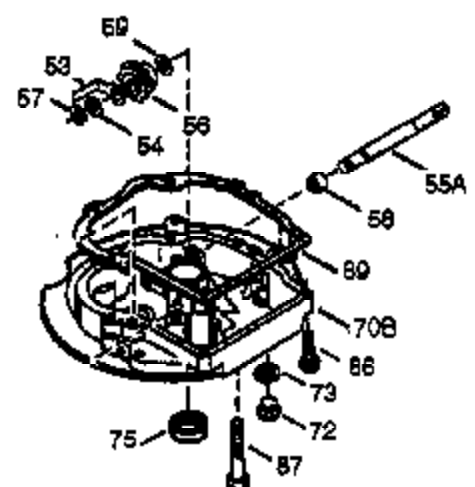
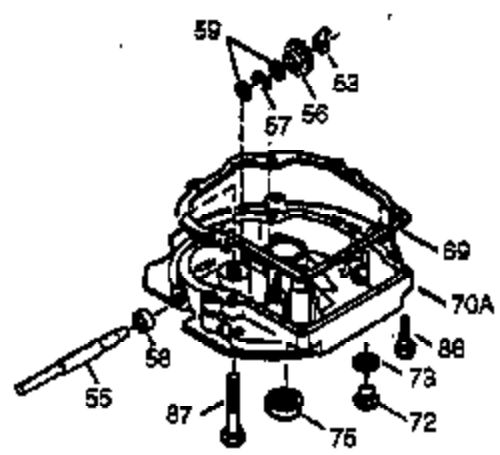
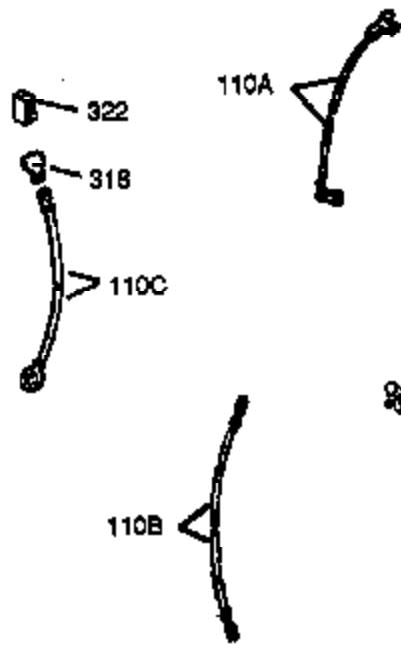
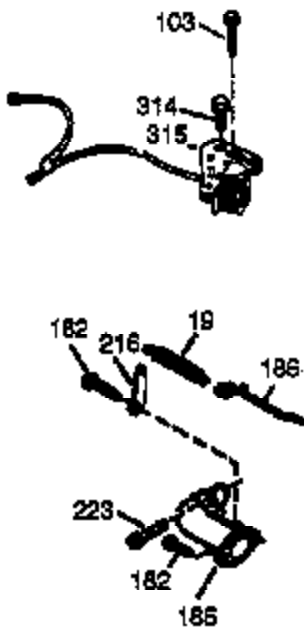
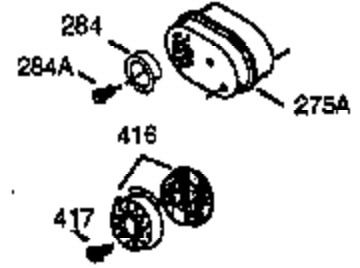
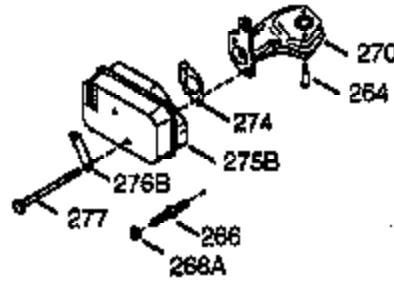
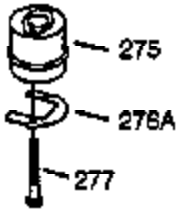
VIEW 2 OF 3



Ref #	Part Number	Qty	Description
223A	651044	1	Screw, 1/4-20 x 2-25/32"
238	650932	2	Screw, 10-32 x 49/64"
239	34338	1	* Air Cleaner Gasket
241	35797	1	Air Cleaner Collar
245	35066	1	Air Cleaner Filter
250	35986	1	Air Cleaner Cover
287	650926	2	Screw, 8-32 x 21/64"
298	28763	2	Screw, 10-32 x 35/64"
300	36279	1	Fuel Tank (Incl. 292 & 301)
301	36246	1	Fuel Cap
327	35392	1	Starter Plug

ILLUSTRATION SHOWS TYPICAL PARTS ONLY. ORDER BY PART NUMBER. PARTS NOT LISTED ARE SUPPLIED BY OEM.

**VIEW 3 OF 3**



Ref #	Part Number	Qty	Description
19	36281	1	Extension Spring
69	35261	1	* Mounting Flange Gasket
72	36083	1	Oil Drain Plug
75	27897	1	Oil Seal
86	650488	6	Screw, 1/4-20 x 1-1/4"
103	651007	2	Screw, Torx T-15, 10-24 x 15/16"
110A	36230	1	Ground Wire
182	30088A	2	Screw, 1/4-28 x 1"
185	36579	1	Intake Pipe
186	34337	1	Governor Link
223A	651044	1	Screw, 1/4-20 x 2-25/32"
223	651043	1	Screw, 1/4-20 x 1-31/64"
275	36492	1	Muffler (Incl. 277)
277	650988	2	Screw, 1/4-20 x 2-5/16"