

Ref #	Part Number	Qty	Description
	1 36835A	1	Cylinder (Incl. 2 & 20)
	2 26727	2	Dowel Pin
	6 33734	1	Breather Element
	7 36557	1	Breather Ass'y. (Incl. 6 & 12A)
12A	36558	1	Breather Cover & Tube
	14 28277	1	Washer
	15 30589	1	Governor Rod (Incl. 14)
	16 34839A	1	Governor Lever
	17 31335	1	Governor Lever Clamp
	18 651018	1	Screw, Torx T-15, 8-32 x 19/64"
	19 36281	1	Extension Spring
	20 32600	1	Oil Seal
	30 36587	1	Crankshaft
	40 35544A	1	Piston, Pin & Ring Set (Std.)
	40 35545A	1	Piston, Pin & Ring Set (.010" OS)
	40 35546	1	Piston, Pin & Ring Set (.020" OS)
	41 35541	1	Piston & Pin Ass'y. (Std.)
	41 35542	1	Piston & Pin Ass'y. (.010" OS) (Incl. 43)
	41 35543	1	Piston & Pin Ass'y. (.020" OS) (Incl. 43)
	42 35547A	1	Ring Set (Std.)
	42 35548A	1	Ring Set (.010" OS)
	42 35549	1	Ring Set (.020" OS)
	43 20381	2	Piston Pin Retaining Ring
	45 32875A	1	Connecting Rod Ass'y. (Incl. 46)
	46 32610A	2	Connecting Rod Bolt
	48 35616	2	Valve Lifter
	50 37285	1	Camshaft (MCR)
	52 29914	1	Oil Pump Ass'y.
	69 35261	1	* Mounting Flange Gasket
	70 34311E	1	Mounting Flange (Incl. 72 thru 83,306 )
	72 36083	1	Oil Drain Plug
	75 27897	1	Oil Seal
	80 30574A	1	Governor Shaft
	81 30590A	1	Washer
	82 30591	1	Governor Gear Ass'y. (Incl. 81)
	83 30588A	1	Governor Spool
	86 650488	6	Screw, 1/4-20 x 1-1/4"
	89 611004	1	Flywheel Key
	90 611112	1	Flywheel
	92 650815	1	Belleville Washer
	93 650816	1	Flywheel Nut
	100 34443B	1	Solid State Ignition
	101 610118	1	Spark Plug Cover
	103 651007	2	Screw, Torx T-15, 10-24 x 15/16"
	110 37047	1	Ground Wire
	119 36738	1	* Cylinder Head Gasket
	120 36721	1	Cylinder Head
	125 36471	1	Exhaust Valve (Std.) (Incl. 151)
	125 36472	1	Exhaust Valve (1/32" OS) (Incl. 151)
	126 37711	1	Intake Valve (Std.) (Incl. 151)
	126 29315C	1	Intake Valve (1/32" OS) (Incl. 151)
130A	650999	1	Screw, 5/16-18 x 2-41/64"
	130 650912	4	Screw, 5/16-18 x 1-1/2"
	135 34645	1	Resistor Spark Plug (RN4C)
	150 31672	2	Valve Spring
	151 31673	2	Valve Spring Cap
	153 36649	1	Push Rod Guide
	154 650913	1	Rocker Arm Stud

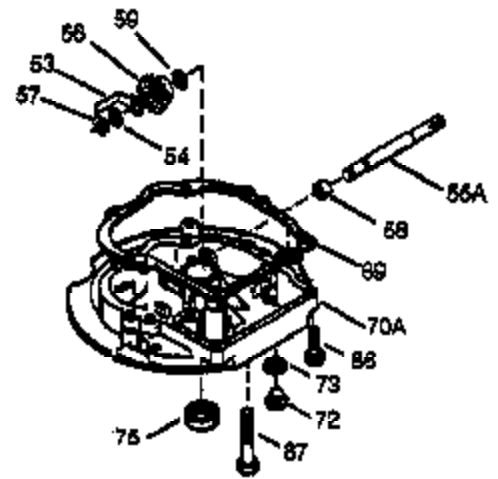
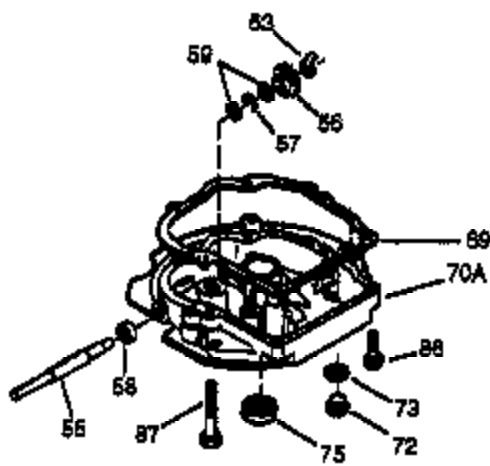
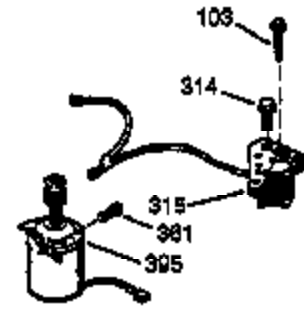
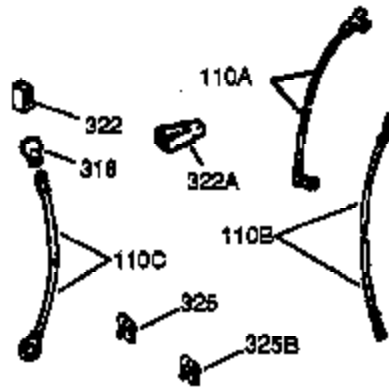
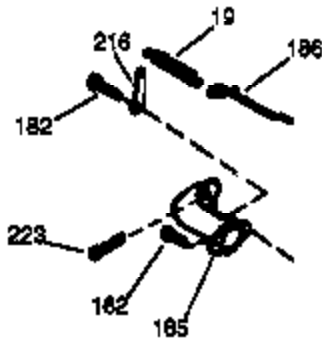
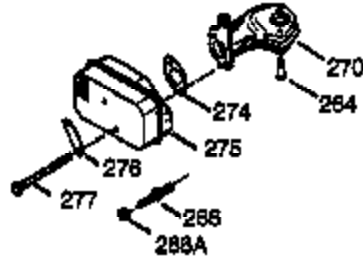
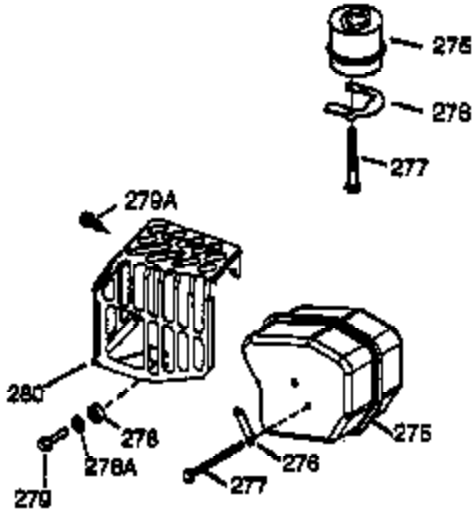
## Engine Parts List #1

Ref #	Part Number	Qty	Description
155	35624A	1	Rocker Arm
157	650914	1	Lock Nut
158	36629	2	Push Rod
159	35626	1	* Rocker Arm Cover Gasket
160	35627	1	Rocker Arm Housing
161	30063	4	Screw, Torx T-30, 1/4-20 x 1/2"
178	29752	2	Nut & Lock Washer, 1/4-28
182	30088A	2	Screw, 1/4-28 x 1"
184	26756	1	* Carburetor Gasket
185	36579	1	Intake Pipe
186	34337	1	Governor Link
187	37203	1	Spacer
189	650839	2	Screw, 1/4-20 x 3/8"
191	36559A	1	S.E. Brake Ass'y. (Incl. 195)
195	610973	1	Terminal
200	33131A	1	Control Bracket (Incl. 202 thru 206)
202	36482	1	Compression Spring
203	31342	1	Compression Spring
204	651029	1	Screw, Torx T-10, 5-40 x 7/16"
205	651019	1	Screw, Torx T-10, 6-32 x 41/64"
206	610973	1	Terminal
207	34336	1	Throttle Link
209	30200	2	Screw, 10-24 x 9/16"
210	27793	1	Conduit Clip
211	28942	1	Screw, 8-32 x 3/8"
212	30773	1	Bushing
223	651044	1	Screw, 1/4-20 x 2-25/32"
223A	651040	1	Stud, 1/4-20
224	36581	2	* Intake Pipe Gasket
238	650806	2	Screw, 10-32 x 5/8"
239	34338	1	* Air Cleaner Gasket
245A	36746	1	Air Cleaner Filter
245	36745	1	Air Cleaner Filter
250	36744	1	Air Cleaner Cover
260	37204	1	Blower Housing
261	650853	1	Screw, Torx T-30, 1/4-20 x 1/2"
262	650831	2	Screw, 1/4-20 x 1/2"
266A	650852	1	Lock Nut, 1/4-20
275	36950	1	Muffler (Incl. 276 & 277)
277	651039	2	Screw, 1/4-20 x 2-47/64"
279	650431	1	Screw, Torx T-25, 10-32 x 5/8"
285	35000A	1	Starter Cup
287	650926	2	Screw, 8-32 x 21/64"
290	34357	1	Fuel Line
292	26460	2	Fuel Line Clamp
301	36246	1	Fuel Cap
305	35577	1	Oil Fill Tube
306	36996	1	* "O"-Ring
307	35499	1	"O"-Ring
309	650562	1	Screw, 10-32 x 1/2"
310	35578	1	Dipstick
313	34080	1	Spacer
324	33177	1	Terminal
341A	37216	1	Blower Housing Support Bracket
370C	37199	1	Primer Decal
370A	36261	1	Lubrication Decal
370K	36695	1	Starter Decal
380	640161	1	Carburetor (Incl. 184)

Ref #	Part Number	Qty	Description
390	590737	1	Rewind Starter (NOTE: This engine could have been built with 590694 starter).
400	36806B	1	* Gasket Set (Incl. items marked PK in notes.) Incl. part #'s 26756 (1), 34338 (1), 35626 (1), 35848 (1), 36581 (1), 36738 (2), 36832 (1), 36996 (1), 37130 (1)
420	730225	1	SAE 30 4-Cycle Engine Oil (Quart)
514	36458A	1	Brake Lock Out Device WARNING! Do not use the brake lock out device on engines required to meet CPSC safety standard for walkbehind power lawnmowers, Title 16, Part 1205 of the code of Federal Regulations or you will be in violation of the law.



Ref #	Part Number	Qty	Description
178	29752	2	Nut & Lock Washer, 1/4-28
212	30773	1	Bushing
238	650806	2	Screw, 10-32 x 5/8"
239	34338	1	* Air Cleaner Gasket
240	36743	1	Air Cleaner Body
245	36745	1	Air Cleaner Filter
245A	36746	1	Air Cleaner Filter
250	36744	1	Air Cleaner Cover
263A	36758	1	Starter Grill
287	650926	2	Screw, 8-32 x 21/64"
298	28763	3	Screw, 10-32 x 35/64"
300	36757	1	Fuel Tank (Incl. 292 & 301)
301	36246	1	Fuel Cap
390	590737	1	Rewind Starter (NOTE: This engine could have been built with 590694 starter).



Ref #	Part Number	Qty	Description
19	36281	1	Extension Spring
69	35261	1	* Mounting Flange Gasket
72	36083	1	Oil Drain Plug
75	27897	1	Oil Seal
86	650488	6	Screw, 1/4-20 x 1-1/4"
103	651007	2	Screw, Torx T-15, 10-24 x 15/16"
110A	36230	1	Ground Wire
178	29752	2	Nut & Lock Washer, 1/4-28
182	30088A	2	Screw, 1/4-28 x 1"
185	36579	1	Intake Pipe
186	34337	1	Governor Link
212	30773	1	Bushing
223	651044	1	Screw, 1/4-20 x 2-25/32"
266A	650852	1	Lock Nut, 1/4-20
275	36950	1	Muffler (Incl. 276 & 277)
276	36949	1	Locking Plate
277	651039	2	Screw, 1/4-20 x 2-47/64"
278	37209	1	Spacer
279	650431	1	Screw, Torx T-25, 10-32 x 5/8"
279A	30063	1	Screw, Torx T-30, 1/4-20 x 1/2"
280	37210	1	Heat Shield
325	29443	1	Spring Clip