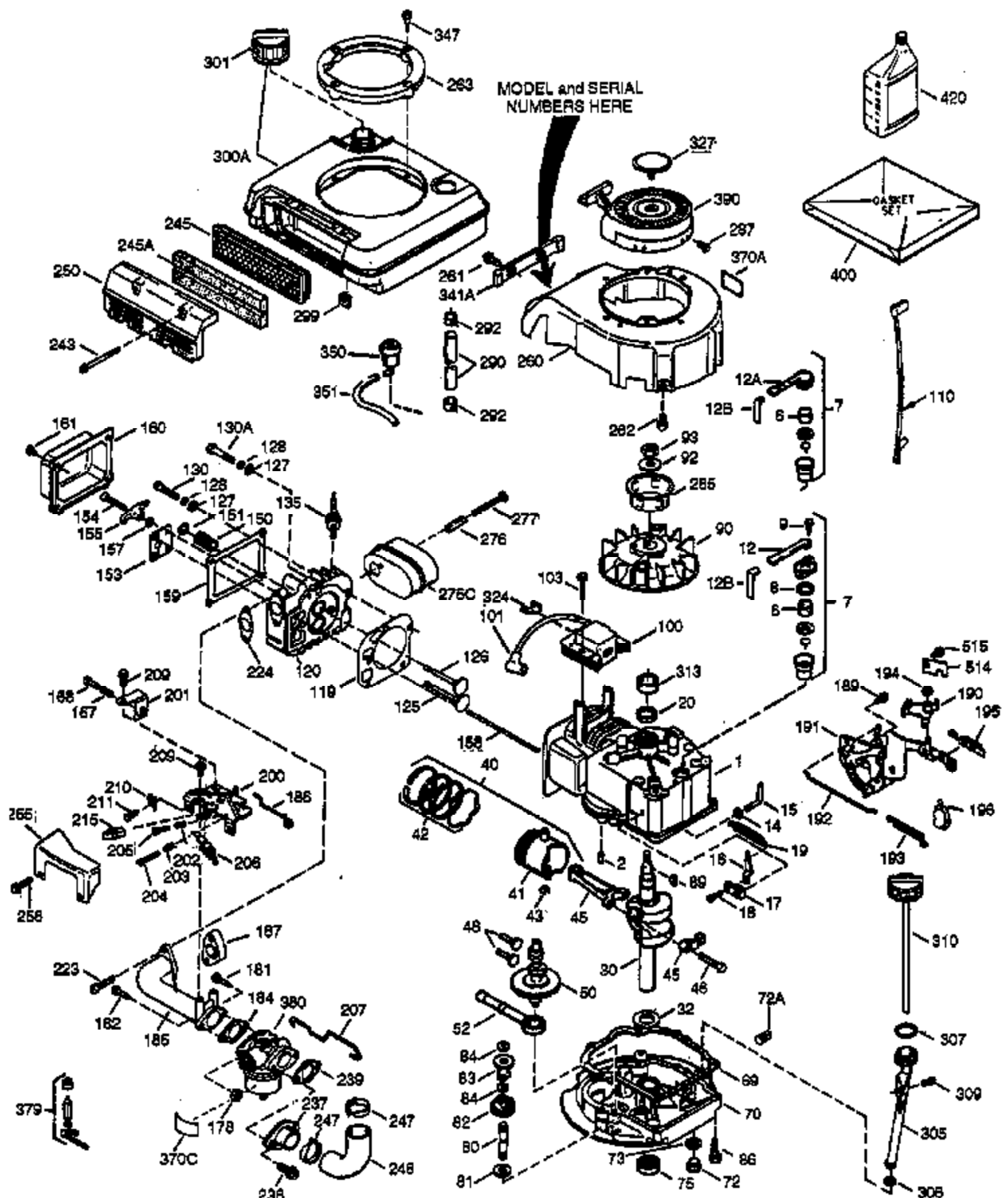


ILLUSTRATION SHOWS TYPICAL PARTS ONLY. ORDER BY PART NUMBER. PARTS NOT LISTED ARE SUPPLIED BY OEM.
VIEW 1 OF 3



Engine Parts List #1

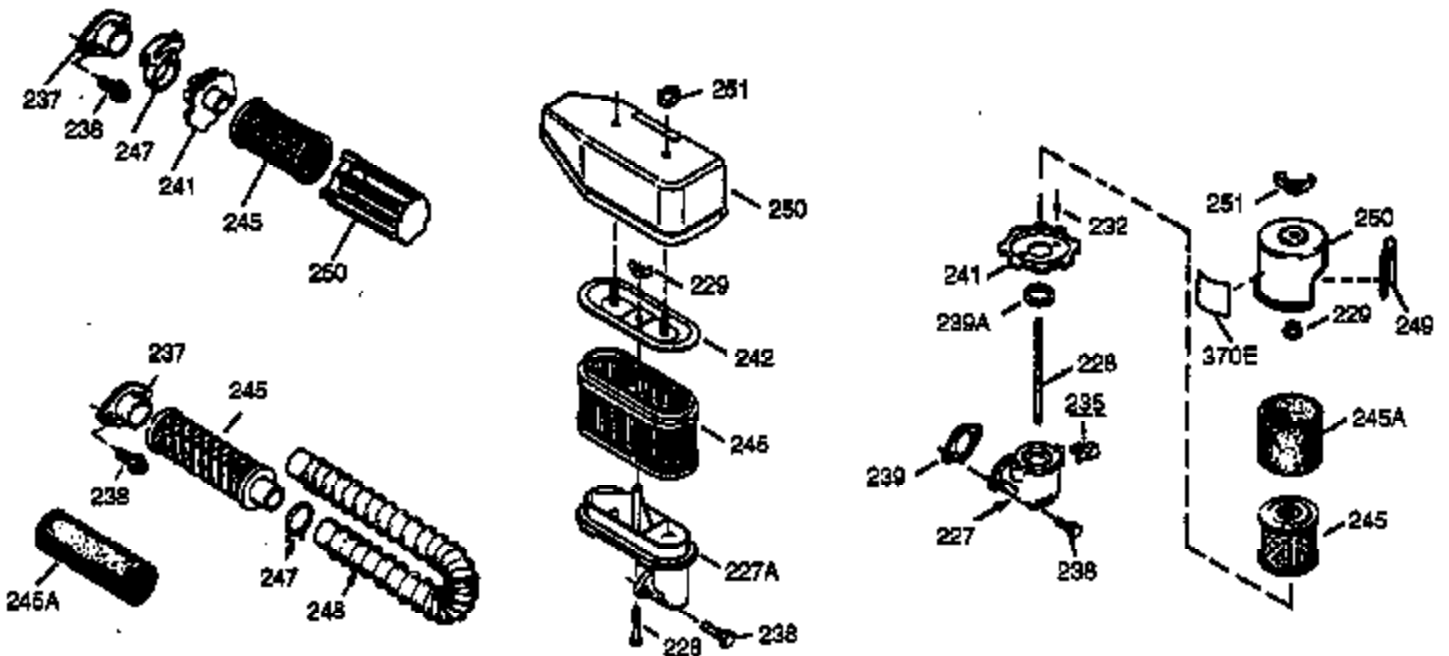
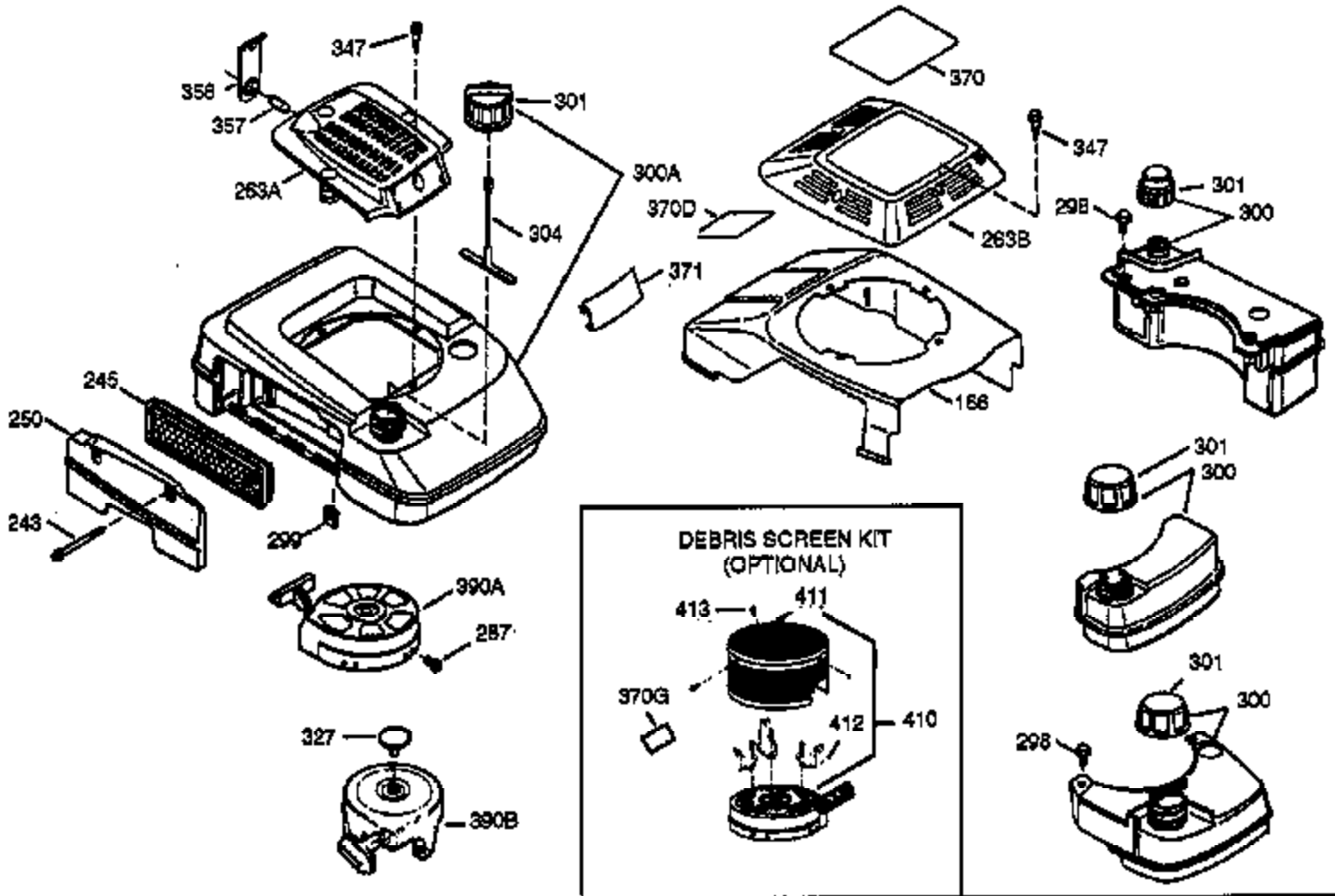
Ref #	Part Number	Qty	Description
1	35805	1	Cylinder (Incl. 2 & 20)
2	26727	2	Dowel Pin
6	33734	1	Breather Element
7	34214A	1	Breather Ass'y. (Incl.6,8,9,12,12B)
8	33735	1	* Breather Gasket
9	30200	2	Screw, 10-24 x 9/16"
12B	34695	1	Breather Tube Elbow
12	33886	1	Breather Tube
14	28277	1	Washer
15	30589	1	Governor Rod (Incl. 14)
16	32651	1	Governor Lever
17	31335	1	Governor Lever Clamp
18	650548	1	Screw, 8-32 x 5/16"
19	33578	1	Extension Spring
20	32600	1	Oil Seal
30	35808	1	Crankshaft
40	35544A	1	Piston, Pin & Ring Set (Std.)
40	35545A	1	Piston, Pin & Ring Set (.010" OS)
40	35546	1	Piston, Pin & Ring Set (.020" OS)
41	35541	1	Piston & Pin Ass'y. (Std.) (Incl. 43)
41	35542	1	Piston & Pin Ass'y. (.010" OS) (Incl. 43)
41	35543	1	Piston & Pin Ass'y. (.020" OS) (Incl. 43)
42	35547A	1	Ring Set (Std.)
42	35548A	1	Ring Set (.010" OS)
42	35549	1	Ring Set (.020" OS)
43	20381	2	Piston Pin Retaining Ring
45	32875A	1	Connecting Rod Ass'y. (Incl. 46)
46	32610A	2	Connecting Rod Bolt
48	35616	2	Valve Lifter
50	33553	1	Camshaft (MCR)
52	29914	1	Oil Pump Ass'y.
69	35261	1	* Mounting Flange Gasket
70	35717	1	Mounting Flange (Incl. 72, 75 & 80)
72	36083	1	Oil Drain Plug
75	27897	1	Oil Seal
80	30574	1	Governor Shaft
81	30590A	1	Washer
82	30591	1	Governor Gear Ass'y. (Incl. 81)
83	30588A	1	Governor Spool
84	29193	2	Retaining Ring
86	650488	6	Screw, 1/4-20 x 1-1/4"
89	611004	1	Flywheel Key
90	611112	1	Flywheel
92	650815	1	Belleville Washer
93	650816	1	Flywheel Nut
100	34443A	1	Solid State Ignition
101	610118	1	Spark Plug Cover
103	650814	2	Screw, Torx T-15, 10-24 x 1"
110	34231	1	Ground Wire
119	35806	1	* Cylinder Head Gasket
120	35630	1	Cylinder Head
125	35621	1	Exhaust Valve (Std.) (Incl. 151)
125	35622	1	Exhaust Valve (1/32" OS) (Incl. 151)
126	35619	1	Intake Valve (Std.) (Incl. 151)
126	35620	1	Intake Valve (1/32" OS) (Incl. 151)
127	650691	5	Washer
128	650690	5	Belleville Washer
130	650912	5	Screw, 5/16-18 x 1-1/2"

Ref #	Part Number	Qty	Description
135	34645	1	Resistor Spark Plug (RN4C)
150	31672	2	Valve Spring
151	31673	2	Valve Spring Cap
153	35623	1	Push Rod Guide
154	650913	1	Rocker Arm Stud
155	35624	1	Rocker Arm
157	650914	1	Lock Nut
158	35625	2	Push Rod
159	35626	1	* Rocker Arm Cover Gasket
160	35718	1	Rocker Arm Housing
161	30063	4	Screw, Torx T-30, 1/4-20 x 1/2"
178	29752	2	Nut & Lock Washer, 1/4-28
182	6201	2	Screw, 1/4-28 x 7/8"
184	26756	1	* Carburetor To Intake Pipe Gasket
185	35635	1	Intake Pipe (Incl. 224)
186	34337	1	Governor Link
200	33131A	1	Control Bracket (Incl. 202 thru 206)
202	33802	1	Compression Spring
203	31342	1	Compression Spring
204	650549	1	Screw, 5-40 x 7/16"
205	650777	1	Screw, 6-32 x 21/32"
206	610973	1	Terminal
207	35364	1	Throttle Link
209	30200	2	Screw, 10-24 x 9/16"
210	27793	1	Conduit Clip
211	28942	1	Screw, 10-32 x 3/8"
223	650451	1	Screw, 1/4-20 x 1"
224	35629A	1	* Intake Pipe Gasket
238	650937	2	Screw, 10-32 x 43/64"
239	35848	1	Air Cleaner Gasket
245	35850A	1	Air Cleaner Filter
245A	35937	1	Air Cleaner Filter
250	35823	1	Air Cleaner Cover
260	35817	1	Blower Housing
262	650831	3	Screw, 1/4-20 x 1/2"
276	31588	1	Locking Plate
277	650729	2	Screw, 5/16-18 x 3-3/16"
285	35000A	1	Starter Cup
287	650926	2	Screw, 8-32 x 21/64"
290	29774	1	Fuel Line
292	26460	2	Fuel Line Clamp
301	35355	1	Fuel Cap
305	35819A	1	Oil Fill Tube
306	34265	1	* "O" Ring
307	35499	1	"O" Ring
309	650936	1	Screw, 10-32 x 13/32"
310	35822	1	Oil Dipstick
313	34080	1	Spacer
347	650898	4	Screw, 10-32 x 27/32"
370A	35847	1	Lubrication Decal
380	632577	1	Carburetor (Incl. 184)
390	590637	1	Rewind Starter (NOTE: This engine could have been built with 590702 starter. Refer to the design of the air intake louvers for part identification. Individual starter parts do not interchange.)

Ref #	Part Number	Qty	Description
400	35633A	1	*Gasket Set (Incl. items marked PK i n notes.) Incl. part #'s 26756 (1), 28833 (1), 33735 (1), 34265 (1), 35261 (1), 35617 (1), 35626 (1), 35629A (1), 35806 (1), 35815 (1), 35848 (1), 35865 (1)
420	730225	1	SAE 30 4-Cycle Engine Oil (Quart)

ILLUSTRATION SHOWS TYPICAL PARTS ONLY. ORDER BY PART NUMBER. PARTS NOT LISTED ARE SUPPLIED BY OEM.

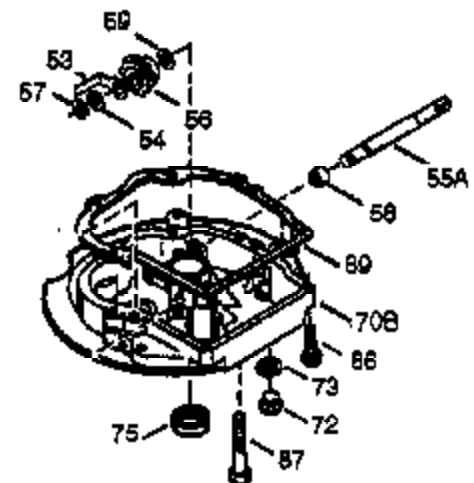
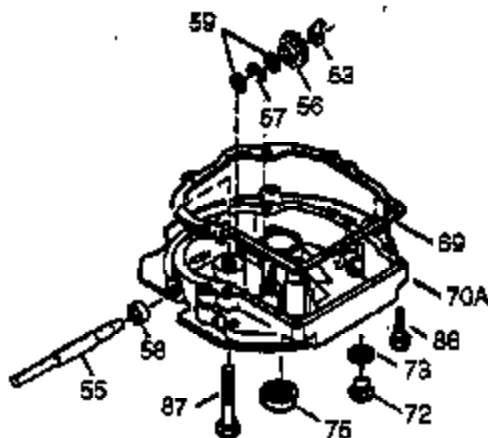
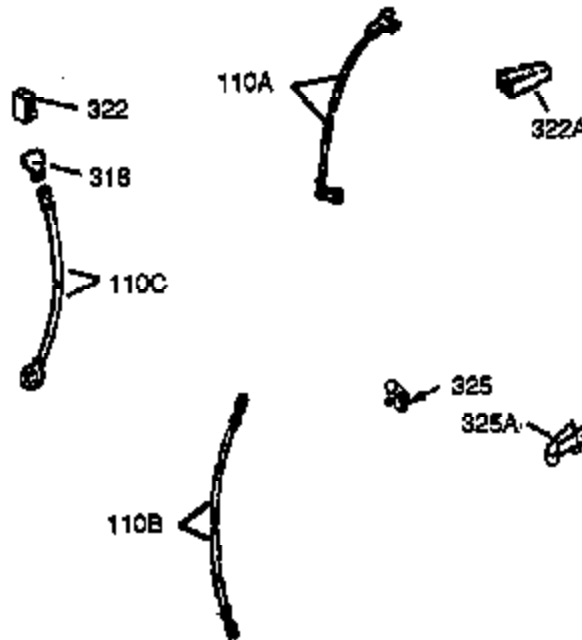
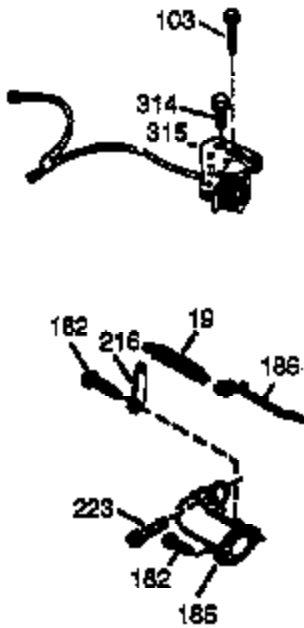
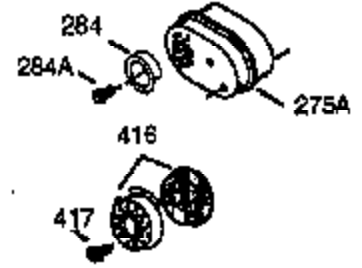
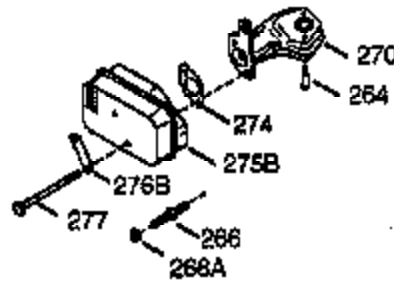
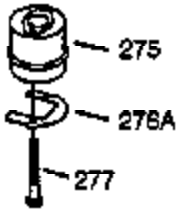
VIEW 2 OF 3



Ref #	Part Number	Qty	Description
166	35820	1	Engine Shroud
227	35849	1	Air Cleaner Elbow
228	650962	1	Stud
229	650935	1	Nut
238	650937	2	Screw, 10-32 x 43/64"
239	35848	1	Air Cleaner Gasket
242	35818	1	Air Cleaner Bracket
245	35850A	1	Air Cleaner Filter
245A	35937	1	Air Cleaner Filter
250	35823	1	Air Cleaner Cover
251	650933	2	Wing Nut
263A	35821	1	Starter Grill
287	650926	2	Screw, 8-32 x 21/64"
300	35586	1	Fuel Tank (Incl. 292 & 301)
301	35355	1	Fuel Cap
347	650898	4	Screw, 10-32 x 27/32"
370	35840	1	5 H.P. Over Head Valve Decal

ILLUSTRATION SHOWS TYPICAL PARTS ONLY. ORDER BY PART NUMBER. PARTS NOT LISTED ARE SUPPLIED BY OEM.

VIEW 3 OF 3



Ref #	Part Number	Qty	Description
19	33578	1	Extension Spring
69	35261	1	* Mounting Flange Gasket
72	36083	1	Oil Drain Plug
75	27897	1	Oil Seal
86	650488	6	Screw, 1/4-20 x 1-1/4"
103	650814	2	Screw, Torx T-15, 10-24 x 1"
182	6201	2	Screw, 1/4-28 x 7/8"
185	35635	1	Intake Pipe (Incl. 224)
186	34337	1	Governor Link
223	650451	1	Screw, 1/4-20 x 1"
264	650918	2	Screw, Torx T-30, 1/4-20 x 1-7/32"
266	650917	1	Stud
266A	29752	1	Nut, 1/4-28
270	35720	1	Exhaust Manifold
274	35865	1	Exhaust Gasket
275	35851	1	Muffler
277	650729	2	Screw, 5/16-18 x 3-3/16"