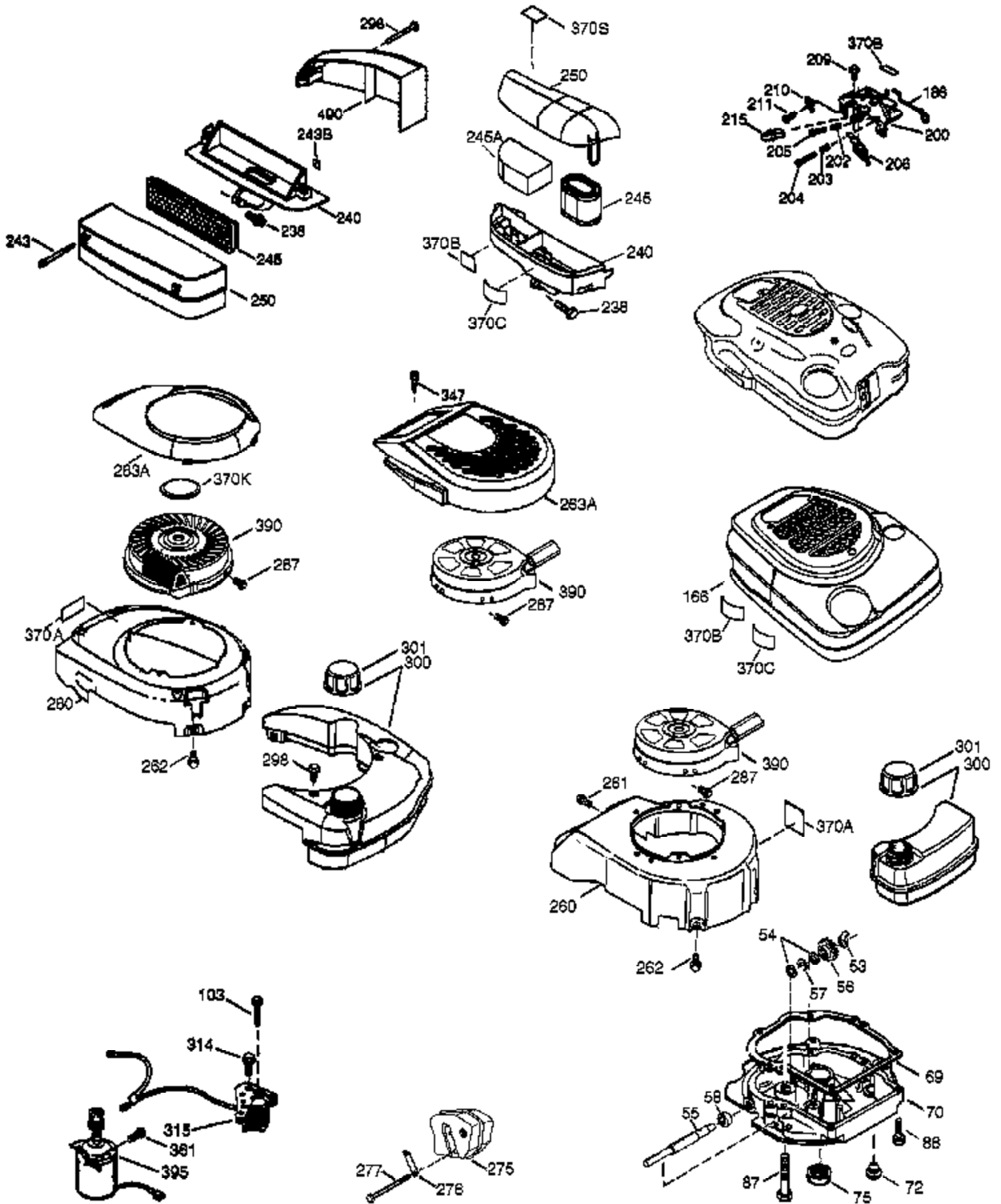




Ref #	Part Number	Qty	Description
	1 36729	1	Cylinder (Incl. 2 & 20)
	2 26727	2	Dowel Pin
	6 33734	1	Breather Element
	7 36557	1	Breather Ass'y. (Incl. 6 & 12A)
12A	36558	1	Breather Cover & Tube
12	36775	1	Breather Tube
12B	36694	1	Breather Fitting
14	28277	1	Washer
15	30589	1	Governor Rod (Incl. 14)
16	34839A	1	Governor Lever
17	31335	1	Governor Lever Clamp
18	651018	1	Screw, T-15, 8-32 x 19/64"
19	36281	1	Extension Spring
20	32600	1	Oil Seal
25	650562	1	Screw, 10-32 x 1/2"
30	37522	1	Crankshaft
40	40004	1	Piston, Pin & Ring Set (Std.)
40	40005	1	Piston, Pin & Ring Set (.010" OS)
41	36070	1	Piston & Pin Ass'y. (Std.)
41	36071	1	Piston & Pin Ass'y. (.010" OS) (Incl. 43)
42	40006	1	Ring Set (Std.)
42	40007	1	Ring Set (.010" OS)
43	20381	2	Piston Pin Retaining Ring
45	32875A	1	Connecting Rod Ass'y. (Incl. 46)
46	32610A	2	Connecting Rod Bolt
48	35616	2	Valve Lifter
50	37488	1	Camshaft (Exhaust MCR) (Incl. 104)
52	29914	1	Oil Pump Ass'y.
69	37797	1	Mounting Flange Gasket
70	37637	1	Mounting Flange (Incl. 72 thru 83)
72	36083	1	Oil Drain Plug
75	27897	1	Oil Seal
80	30574A	1	Governor Shaft
81	30590A	1	Washer
82	30591	1	Governor Gear Ass'y. (Incl. 81)
83	30588A	1	Governor Spool
86A	650488	6	Screw, 1/4-20 x 1/1/4"
89	611004	1	Flywheel Key
90	611112	1	Flywheel
92	650815	1	Belleville Washer
93	650816	1	Flywheel Nut
100	34443C	1	Solid State Ignition
101	610118	1	Spark Plug Cover
103	651007	2	Screw, T-15, 10-24 x 15/16"
104	37480	1	Cam Bushing
110	37047	1	Ground Wire
119	36719	1	* Cylinder Head Gasket
120	37482	1	Cylinder Head (Incl. 151A)
125	36471	1	Exhaust Valve (Std.) (Incl. 151)
125	36472	1	Exhaust Valve (1/32" OS) (Incl. 151)
126	37711	1	Intake Valve (Std.) (Incl. 151)
130A	650999	1	Screw, 5/16-18 x 2-41/64"
130	650912	4	Screw, 5/16-18 x 1-1/2"
135	34645	1	Resistor Spark Plug (RN4C)
150	31672	2	Valve Spring
151A	40016A	1	Valve Seal
151	31673	2	Valve Spring Cap
153	36649	1	Push Rod Guide

Ref #	Part Number	Qty	Description
154	650913	1	Rocker Arm Stud
155	35624A	1	Rocker Arm
157	650914	1	Lock Nut
158	36629	2	Push Rod
159	35626	1	* Rocker Arm Cover Gasket
160	35718	1	Rocker Arm Cover (Chrome)
161A	651034	2	Valve Cover Mounting Stud
161	30063	2	Screw, T-30, 1/4-20 x 1/2"
166	37486	1	Engine Shroud (Orange)
178	29752	2	Nut & Lock Washer, 1/4-28
182	6201	2	Screw, 1/4-28 x 7/8"
184	26756	1	* Carburetor Gasket
185	37531	1	Intake Pipe
186	34337	1	Governor Link
189	650839	2	Screw, 1/4-20 x 27/64"
191	36559A	1	S.E. Brake Ass'y. (Incl. 195)
195	610973	1	Terminal
200	35727	1	Control Bracket (Incl. 202 thru 206)
207	34336A	1	Throttle Link
209	30200	2	Screw, 10-24 x 9/16"
215	32410	1	Control Knob
223	651043	1	Screw, 1/4-20 x 1-31/64"
224	36581	2	* Intake Pipe Gasket
238	650932	2	Air Cleaner Mtg Screw 10-32 x 49/64"
239	34338	1	Air Cleaner Gasket
241	36919	1	Air Cleaner Collar (Black)
243	650898A	4	Shroud Mtg. Screw 10-32 x 27/32"
245	36905	1	Air Filter
250	37122	1	Air Cleaner Cover (Black)
260	37483	1	Blower Housing (Black)
261D	651073	4	Screw, T-20 10-16 x 15/32"
262	650831	3	Screw, 1/4-20 x 1/2"
263	37485	1	Shroud Mtg Ring
266	651040	1	Stud
266A	650852	3	Nut & Lock Washer
275	36950A	1	Muffler
276	36949	1	Locking Plate
277	651039	2	Screw, 1/4-20 x 2-47/64"
278A	30773A	1	Control Lever Bushing
279A	37679	2	Washer
280	37678	1	Heat Shield
284A	650821	1	Screw, 10-32 x 1/2"
285	35000A	1	Starter Cup
287	650926	2	Screw, 8-32 x 21/64"
290	30705	1	Fuel Line
292	26460	2	Fuel Line Clamp
300	37484	1	Fuel Tank (Natural Incl. 292 & 301)
301	36246	1	Fuel Cap
305	35647A	1	Oil Fill Tube (Incl. 306)
306	37610	1	* "O" Ring
307	35499	1	"O"-Ring
309	650562	1	Screw, 10-32 x 1/2"
309A	650783	1	Screw, 10-24 x 3/4"
310	35648	1	Dipstick
311A	37611	1	Hold Down Bracket
313	34080	1	Spacer
355	590701	1	Starter Handle (Tec)
370T	37487	1	Gas Level Decal

Ref #	Part Number	Qty	Description
370C	37318	1	Primer Decal (3 X)
370A	36261	2	Lubrication Decal
370B	35167	1	Control Decal (ISO)
380	640338	1	Carburetor (Incl. 184)
390	590739	1	Rewind Starter (NOTE: This engine could have been built with 590702 starter.)
400	37825	1	* Gasket Set (Incl. items marked PK in notes)
420	730225A	1	SAE 30 4-Cycle Engine Oil (Quart)



Ref #	Part Number	Qty	Description
25	650562	1	Screw, 10-32 x 1/2"
46	32610A	2	Connecting Rod Bolt
69	37797	1	Mounting Flange Gasket
70	37637	1	Mounting Flange (Incl. 72 thru 83)
72	36083	1	Oil Drain Plug
75	27897	1	Oil Seal
103	651007	2	Screw, T-15, 10-24 x 15/16"
161A	651034	2	Valve Cover Mounting Stud
166	37486	1	Engine Shroud (Orange)
186	34337	1	Governor Link
200	35727	1	Control Bracket (Incl. 202 thru 206)
202	36482	1	Compression Spring
203	31342	1	Compression Spring
204	651029	1	Screw, T-10, 5-40 x 7/16"
205	651019	1	Screw, T-10, 6-32 x 41/64"
206	610973	1	Terminal
209	30200	2	Screw, 10-24 x 9/16"
215	32410	1	Control Knob
238	650932	2	Air Cleaner Mtg Screw 10-32 x 49/64"
243	650898A	4	Shroud Mtg. Screw 10-32 x 27/32"
245	36905	1	Air Filter
250	37122	1	Air Cleaner Cover (Black)
260	37483	1	Blower Housing (Black)
261D	651073	4	Screw, T-20 10-16 x 15/32"
262	650831	3	Screw, 1/4-20 x 1/2"
275	36950A	1	Muffler
276	36949	1	Locking Plate
277	651039	2	Screw, 1/4-20 x 2-47/64"
287	650926	2	Screw, 8-32 x 21/64"
300	37484	1	Fuel Tank (Natural Incl. 292 & 301)
301	36246	1	Fuel Cap
355	590701	1	Starter Handle (Tec)
370A	36261	2	Lubrication Decal
370C	37318	1	Primer Decal (3 X)
370B	35167	1	Control Decal (ISO)
390	590739	1	Rewind Starter (NOTE: This engine could have been built with 590702 starter.)