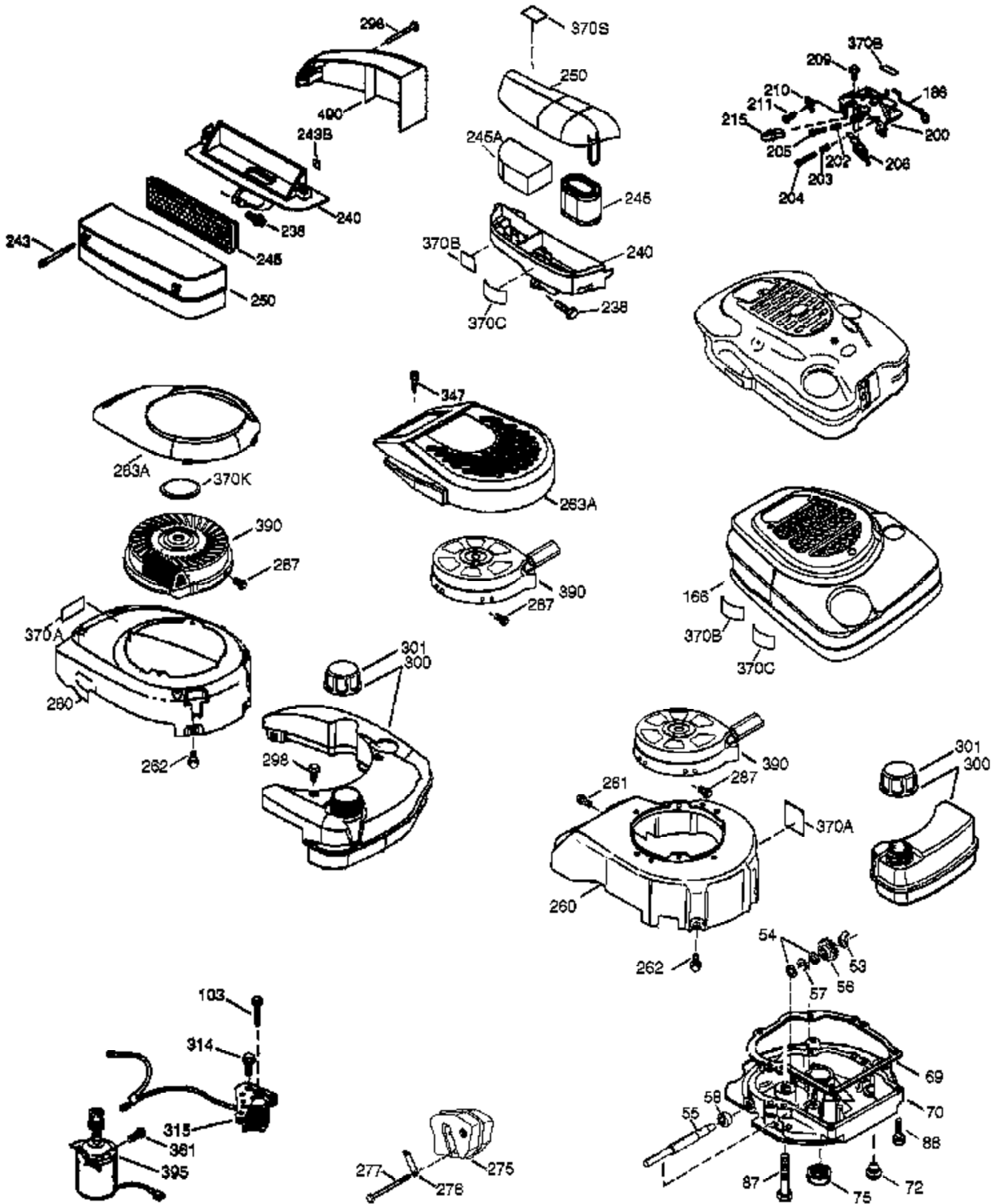


Ref #	Part Number	Qty	Description
	36579	1	Intake Pipe
1	36835A	1	Cylinder (Incl. 2 & 20)
2	26727	2	Dowel Pin
6	33734	1	Breather Element
7	36557	1	Breather Ass'y. (Incl. 6 & 12A)
12B	36694	1	Breather Tube Elbow
12A	36558	1	Breather Cover & Tube (Incl. 12B)
12	36775	1	Breather Tube
14	28277	1	Washer
15	30589	1	Governor Rod (Incl. 14)
16	34839A	1	Governor Lever
17	31335	1	Governor Lever Clamp
18	651018	1	Screw, Torx T-15, 8-32 x 19/64"
19	36281	1	Extension Spring
20	32600	1	Oil Seal
30	37472	1	Crankshaft
40	35544A	1	Piston, Pin & Ring Set (Std.)
40	35545A	1	Piston, Pin & Ring Set (.010" OS)
40	35546	1	Piston, Pin & Ring Set (.020" OS)
41	35541	1	Piston & Pin Ass'y. (Std.)
41	35542	1	Piston & Pin Ass'y. (.010" OS) (Incl. 43)
41	35543	1	Piston & Pin Ass'y. (.020" OS) (Incl. 43)
42	35547A	1	Ring Set (Std.)
42	35548A	1	Ring Set (.010" OS)
42	35549	1	Ring Set (.020" OS)
43	20381	2	Piston Pin Retaining Ring
45	32875A	1	Connecting Rod Ass'y. (Incl. 46)
46	32610A	2	Connecting Rod Bolt
48	35616	2	Valve Lifter
50	37473	1	Camshaft (Exhaust MCR Incl. 104)
52	29914	1	Oil Pump Ass'y.
69	35261	1	* Mounting Flange Gasket
70	34311E	1	Mounting Flange (Incl. 72 thru 83,306)
72	30572	1	Oil Drain Plug (Incl. 73)
73	28833	1	Drain Plug Gasket
75	27897	1	Oil Seal
80	30574A	1	Governor Shaft
81	30590A	1	Washer
82	30591	1	Governor Gear Ass'y. (Incl. 81)
83	30588A	1	Governor Spool
89	611004	1	Flywheel Key
90	611044	1	Flywheel
92	650815	1	Belleville Washer
93	650816	1	Flywheel Nut
100	34443B	1	Solid State Ignition
101	610118	1	Spark Plug Cover
103	651007	2	Screw, Torx T-15, 10-24 x 15/16"
104	37480	1	Cam Bushing
110A	36953	1	Wire Ass'y
110	37047	1	Ground Wire
110B	36954	1	Wire Ass'y
119	36738	1	* Cylinder Head Gasket
120	37474	1	Cylinder Head (Incl. 151A)
125	36471	1	Exhaust Valve (Std.) (Incl. 151)
125	36472	1	Exhaust Valve (1/32" OS) (Incl. 151)
126	37711	1	Intake Valve (Std.) (Incl. 151)
130	650912	4	Screw, 5/16-18 x 1-1/2"
130A	650999	1	Screw, 5/16-18 x 2-41/64"

Ref #	Part Number	Qty	Description
135	34645	1	Resistor Spark Plug (RN4C)
150	31672	2	Valve Spring
151	31673	2	Valve Spring Cap
151A	40016A	1	Intake Valve Seal
153	36649	1	Push Rod Guide
154	650913	1	Rocker Arm Stud
155	35624A	1	Rocker Arm
157	650914	1	Lock Nut
158	36629	2	Push Rod
159	35626	1	* Rocker Arm Cover Gasket
160	35627	1	Rocker Arm Housing
161	30063	4	Screw, Torx T-30, 1/4-20 x 1/2"
178	29752	2	Nut & Lock Washer, 1/4-28
182	30088A	2	Screw, 1/4-28 x 1"
184	26756	1	* Carburetor Gasket
185	37532	1	Intake Pipe (Incl. 223 & 224)
186	32653	1	Governor Link
187	36580	1	Spacer
191	36559A	1	S.E. Brake Ass'y. (Incl. 195)
195	610973	1	Terminal
196	35035	1	Power Restart Switch
207	34336	1	Throttle Link
216	33086	1	R.P.M. Adjusting Lever
223	651044	1	Screw, 1/4-20 x 2-25/32"
223A	651043	1	Screw, 1/4-20 x 1-31/64"
224	36581	2	* Intake Pipe Gasket
238	650932	2	Screw, 10-32 x 49/64"
239	34338	1	* Air Cleaner Gasket
241	35797	1	Air Cleaner Collar
245	35066	1	Air Cleaner Filter
250	35065	1	Air Cleaner Cover
260	37475	1	Blower Housing
261	30063	2	Screw, Torx T-30, 1/4-20 x 1/2"
262	650831	2	Screw, 1/4-20 x 1/2"
275	37476	1	Muffler (Incl. 277)
277	650988	2	Screw, 1/4-20 x 2-9/32"
285	35000A	1	Starter Cup
287	650926	2	Screw, 8-32 x 21/64"
290	29774	1	Fuel Line
292	26460	2	Fuel Line Clamp
292	26460	2	Fuel Line Clamp
300	36916	1	Fuel Tank (Incl. 292 & 301)
301	36246	1	Fuel Cap
305	35647	1	Oil Fill Tube
306	36996	1	* "O"-Ring
307	35499	1	"O"-Ring
309	650562	1	Screw, 10-32 x 1/2"
310	35648	1	Dipstick
313	34080	1	Spacer
322A	610885	1	Body Connector
322	35013	1	Body Connector
325A	35249	1	Spring Clip
341A	36578	1	Blower Housing Support Bracket) (Plated)
370C	37318	1	Primer Decal (3X)
370A	36261	1	Lubrication Decal
370R	37317	1	Warning Decal
380	640272	1	Carburetor (Incl. 184)

Ref #	Part Number	Qty	Description
390	590737	1	Rewind Starter (NOTE: This engine could have been built with 590694 starter).
400	36806B	1	* Gasket Set (Incl. items marked PK in notes.) Incl. part #'s 26756 (1), 34338 (1), 35626 (1), 35848 (1), 36581 (1), 36738 (2), 36832 (1), 36996 (1), 37130 (1)
900	0		Replacement Engine NONE
900	0	1	Replacement Short Block 750862, order from 71-999



Ref #	Part Number	Qty	Description
	36579	1	Intake Pipe
46	32610A	2	Connecting Rod Bolt
69	35261	1	* Mounting Flange Gasket
70	34311E	1	Mounting Flange (Incl. 72 thru 83,306)
72	30572	1	Oil Drain Plug (Incl. 73)
75	27897	1	Oil Seal
86	650488	6	Screw, 1/4-20 x 1-1/4"
103	651007	2	Screw, Torx T-15, 10-24 x 15/16"
186	32653	1	Governor Link
238	650932	2	Screw, 10-32 x 49/64"
245	35066	1	Air Cleaner Filter
250	35065	1	Air Cleaner Cover
260	37475	1	Blower Housing
261	30063	2	Screw, Torx T-30, 1/4-20 x 1/2"
262	650831	2	Screw, 1/4-20 x 1/2"
275	37476	1	Muffler (Incl. 277)
277	650988	2	Screw, 1/4-20 x 2-9/32"
287	650926	2	Screw, 8-32 x 21/64"
298	28763	2	Screw, 10-32 x 35/64"
300	36916	1	Fuel Tank (Incl. 292 & 301)
301	36246	1	Fuel Cap
314	650767	2	Screw & Lockwasher
315	36952	1	Coil
322A	610885	1	Body Connector
361	650831	2	Screw, 1/4-20 x 15/32"
370A	36261	1	Lubrication Decal
370C	37318	1	Primer Decal (3X)
390	590737	1	Rewind Starter (NOTE: This engine could have been built with 590694 starter).
395	35709	1	Electric Motor
900	0		Replacement Engine NONE
900	0	1	Replacement Short Block 750862, order from 71-999