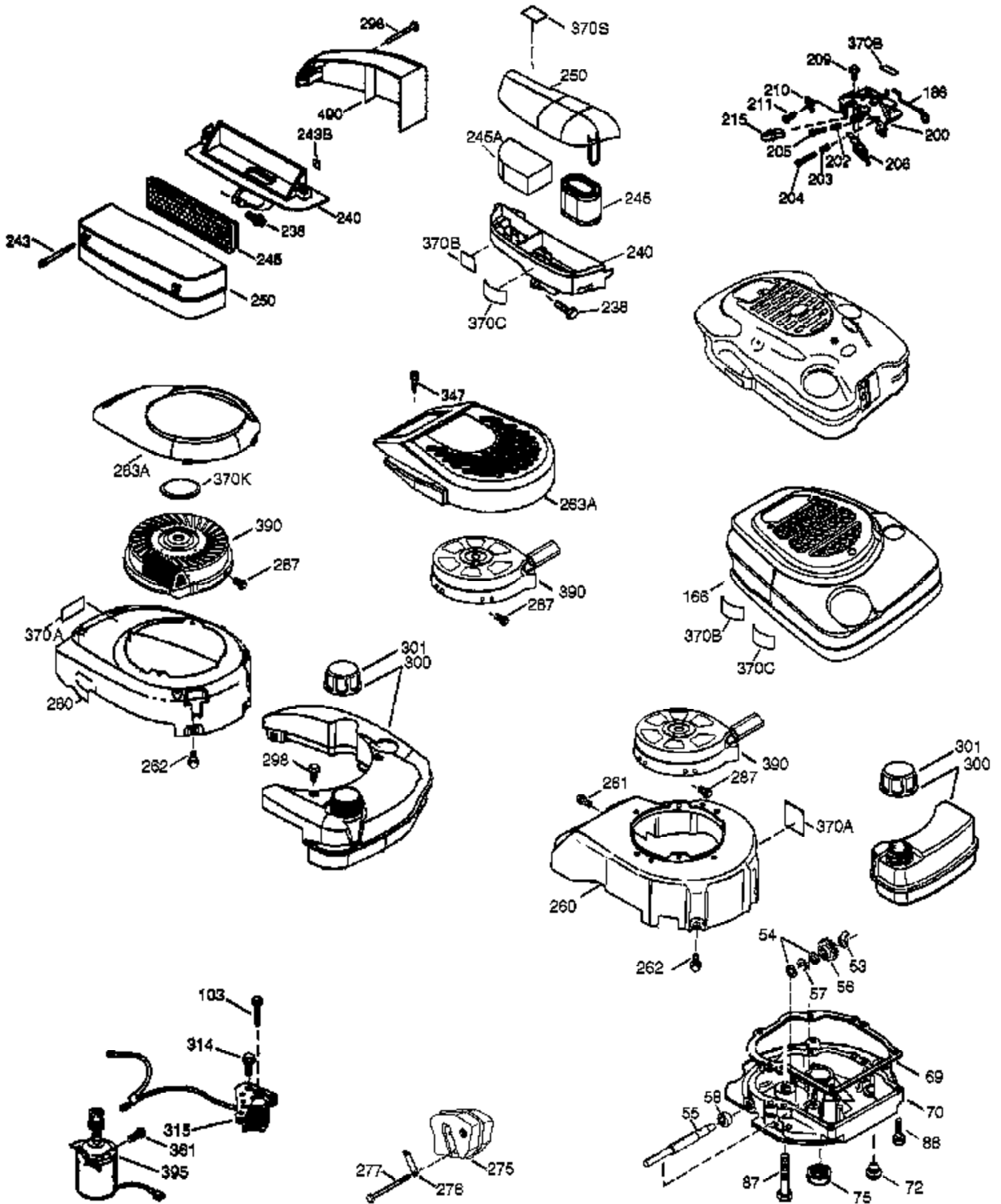




| Ref # | Part Number | Qty | Description |
|-------|-------------|-----|---|
| | 36579 | 1 | Intake Pipe |
| 1 | 36835A | 1 | Cylinder (Incl. 2 & 20) |
| 2 | 26727 | 2 | Dowel Pin |
| 6 | 33734 | 1 | Breather Element |
| 7 | 36557 | 1 | Breather Ass'y. (Incl. 6 & 12A) |
| 12B | 36694 | 1 | Breather Tube Elbow |
| 12 | 36775 | 1 | Breather Tube |
| 12A | 36558 | 1 | Breather Cover & Tube (Incl. 12B) |
| 14 | 28277 | 1 | Washer |
| 15 | 30589 | 1 | Governor Rod (Incl. 14) |
| 16 | 34839A | 1 | Governor Lever |
| 17 | 31335 | 1 | Governor Lever Clamp |
| 18 | 651018 | 1 | Screw, Torx T-15, 8-32 x 19/64" |
| 19 | 36281 | 1 | Extension Spring |
| 20 | 32600 | 1 | Oil Seal |
| 30 | 37472 | 1 | Crankshaft |
| 40 | 35544A | 1 | Piston, Pin & Ring Set (Std.) |
| 40 | 35545A | 1 | Piston, Pin & Ring Set (.010" OS) |
| 40 | 35546 | 1 | Piston, Pin & Ring Set (.020" OS) |
| 41 | 35541 | 1 | Piston & Pin Ass'y. (Std.) |
| 41 | 35542 | 1 | Piston & Pin Ass'y. (.010" OS) (Incl. 43) |
| 41 | 35543 | 1 | Piston & Pin Ass'y. (.020" OS) (Incl. 43) |
| 42 | 35547A | 1 | Ring Set (Std.) |
| 42 | 35548A | 1 | Ring Set (.010" OS) |
| 42 | 35549 | 1 | Ring Set (.020" OS) |
| 43 | 20381 | 2 | Piston Pin Retaining Ring |
| 45 | 32875A | 1 | Connecting Rod Ass'y. (Incl. 46) |
| 46 | 32610A | 2 | Connecting Rod Bolt |
| 48 | 35616 | 2 | Valve Lifter |
| 50 | 37473 | 1 | Camshaft Exhaust(MCR)(Incl. ref 104) |
| 52 | 29914 | 1 | Oil Pump Ass'y. |
| 69 | 35261 | 1 | * Mounting Flange Gasket |
| 70 | 34311E | 1 | Mounting Flange (Incl. 72 thru 83,306) |
| 72 | 30572 | 1 | Oil Drain Plug (Incl. 73) |
| 73 | 28833 | 1 | Drain Plug Gasket |
| 75 | 27897 | 1 | Oil Seal |
| 80 | 30574A | 1 | Governor Shaft |
| 81 | 30590A | 1 | Washer |
| 82 | 30591 | 1 | Governor Gear Ass'y. (Incl. 81) |
| 83 | 30588A | 1 | Governor Spool |
| 89 | 611004 | 1 | Flywheel Key |
| 90 | 611112 | 1 | Flywheel |
| 92 | 650815 | 1 | Belleville Washer |
| 93 | 650816 | 1 | Flywheel Nut |
| 100 | 34443B | 1 | Solid State Ignition |
| 101 | 610118 | 1 | Spark Plug Cover |
| 103 | 651007 | 2 | Screw, Torx T-15, 10-24 x 15/16" |
| 104 | 37480 | 1 | Cam Bushing |
| 110 | 37047 | 1 | Ground Wire |
| 119 | 36738 | 1 | * Cylinder Head Gasket |
| 120 | 37474 | 1 | Cylinder Head (Incl. 151A) |
| 125 | 36471 | 1 | Exhaust Valve (Std.) (Incl. 151) |
| 125 | 36472 | 1 | Exhaust Valve (1/32" OS) (Incl. 151) |
| 126 | 37711 | 1 | Intake Valve (Std.) (Incl. 151) |
| 130A | 650999 | 1 | Screw, 5/16-18 x 2-41/64" |
| 130 | 650912 | 4 | Screw, 5/16-18 x 1-1/2" |
| 135 | 34645 | 1 | Resistor Spark Plug (RN4C) |
| 150 | 31672 | 2 | Valve Spring |

| Ref # | Part Number | Qty | Description |
|-------|-------------|-----|---|
| 151A | 40016A | 1 | Intake Valve Seal |
| 151 | 31673 | 2 | Valve Spring Cap |
| 153 | 36649 | 1 | Push Rod Guide |
| 154 | 650913 | 1 | Rocker Arm Stud |
| 155 | 35624A | 1 | Rocker Arm |
| 157 | 650914 | 1 | Lock Nut |
| 158 | 36629 | 2 | Push Rod |
| 159 | 35626 | 1 | * Rocker Arm Cover Gasket |
| 160 | 35718 | 1 | Rocker Arm Housing |
| 161 | 30063 | 4 | Screw, Torx T-30, 1/4-20 x 1/2" |
| 178 | 29752 | 2 | Nut & Lock Washer, 1/4-28 |
| 182 | 30088A | 2 | Screw, 1/4-28 x 1" |
| 184 | 26756 | 1 | * Carburetor Gasket |
| 185 | 37532 | 1 | Intake Pipe (Incl.223 & 224) |
| 186 | 32653 | 1 | Governor Link |
| 187 | 36580 | 1 | Spacer |
| 189 | 650839 | 2 | Screw, 1/4-20 x 3/8" |
| 191 | 36559A | 1 | S.E. Brake Ass'y. (Incl. 195) |
| 195 | 610973 | 1 | Terminal |
| 207 | 34336 | 1 | Throttle Link |
| 216 | 33086 | 1 | R.P.M. Adjusting Lever |
| 223 | 651043 | 1 | Screw, 1/4-20 x 1-31/64" |
| 223A | 651044 | 1 | Screw, 1/4-20 x 2-25/32" |
| 224 | 36581 | 2 | * Intake Pipe Gasket |
| 238 | 650932 | 2 | Screw, 10-32 x 49/64" |
| 239 | 34338 | 1 | * Air Cleaner Gasket |
| 241 | 35797 | 1 | Air Cleaner Collar |
| 245 | 35066 | 1 | Air Cleaner Filter |
| 250 | 35065 | 1 | Air Cleaner Cover |
| 260 | 37475 | 1 | Blower Housing |
| 261 | 30063 | 2 | Screw, Torx T-30, 1/4-20 x 1/2" |
| 262 | 650831 | 2 | Screw, 1/4-20 x 1/2" |
| 275 | 37476 | 1 | Muffler (Incl. 277) |
| 277 | 650988 | 2 | Screw, 1/4-20 x 2-9/32" |
| 285 | 35000A | 1 | Starter Cup |
| 287 | 650926 | 2 | Screw, 8-32 x 21/64" |
| 290 | 29774 | 1 | Fuel Line |
| 292 | 26460 | 2 | Fuel Line Clamp |
| 300 | 36916 | 1 | Fuel Tank (Incl. 292 & 301) |
| 301 | 36246 | 1 | Fuel Cap |
| 305 | 35647 | 1 | Oil Fill Tube |
| 306 | 36996 | 1 | * "O"-Ring |
| 307 | 35499 | 1 | "O"-Ring |
| 309 | 650562 | 1 | Screw, 10-32 x 1/2" |
| 310 | 35648 | 1 | Dipstick |
| 313 | 34080 | 1 | Spacer |
| 341A | 36578 | 1 | Blower Housing Support Bracket |
| 370C | 37318 | 1 | Primer Decal (3X) |
| 370R | 37317 | 1 | Warning Decal |
| 370A | 36261 | 1 | Lubrication Decal |
| 380 | 640272 | 1 | Carburetor (Incl. 184) |
| 390 | 590737 | 1 | Rewind Starter (NOTE: This engine could have been built with 590694 starter). |
| 400 | 36806B | 1 | * Gasket Set (Incl. items marked PK in notes.) Incl. part #'s 26756 (1), 34338 (1), 35626 (1), 35848 (1), 36581 (1), 36738 (2), 36832 (1), 36996 (1), 37130 (1) |
| 900 | 0 | | Replacement Engine NONE |

| Ref # | Part Number | Qty | Description |
|-------|-------------|-----|---|
| 900 | 0 | 1 | Replacement Short Block 750862, order from 71-999 |



| Ref # | Part Number | Qty | Description |
|-------|-------------|-----|---|
| | 36579 | 1 | Intake Pipe |
| 46 | 32610A | 2 | Connecting Rod Bolt |
| 69 | 35261 | 1 | * Mounting Flange Gasket |
| 70 | 34311E | 1 | Mounting Flange (Incl. 72 thru 83,306) |
| 72 | 30572 | 1 | Oil Drain Plug (Incl. 73) |
| 75 | 27897 | 1 | Oil Seal |
| 86 | 650488 | 6 | Screw, 1/4-20 x 1-1/4" |
| 103 | 651007 | 2 | Screw, Torx T-15, 10-24 x 15/16" |
| 186 | 32653 | 1 | Governor Link |
| 238 | 650932 | 2 | Screw, 10-32 x 49/64" |
| 245 | 35066 | 1 | Air Cleaner Filter |
| 250 | 35065 | 1 | Air Cleaner Cover |
| 260 | 37475 | 1 | Blower Housing |
| 261 | 30063 | 2 | Screw, Torx T-30, 1/4-20 x 1/2" |
| 262 | 650831 | 2 | Screw, 1/4-20 x 1/2" |
| 263A | 37184 | 1 | Starter Grill |
| 275 | 37476 | 1 | Muffler (Incl. 277) |
| 277 | 650988 | 2 | Screw, 1/4-20 x 2-9/32" |
| 287 | 650926 | 2 | Screw, 8-32 x 21/64" |
| 298 | 28763 | 2 | Screw, 10-32 x 35/64" |
| 300 | 36916 | 1 | Fuel Tank (Incl. 292 & 301) |
| 301 | 36246 | 1 | Fuel Cap |
| 347 | 651038 | 1 | Screw, 10-32 x 27/32" |
| 370K | 36695 | 1 | Starter Decal (Service) |
| 370C | 37318 | 1 | Primer Decal (3X) |
| 370A | 36261 | 1 | Lubrication Decal |
| 390 | 590737 | 1 | Rewind Starter (NOTE: This engine could have been built with 590694 starter). |
| 900 | 0 | | Replacement Engine NONE |
| 900 | 0 | 1 | Replacement Short Block 750862, order from 71-999 |