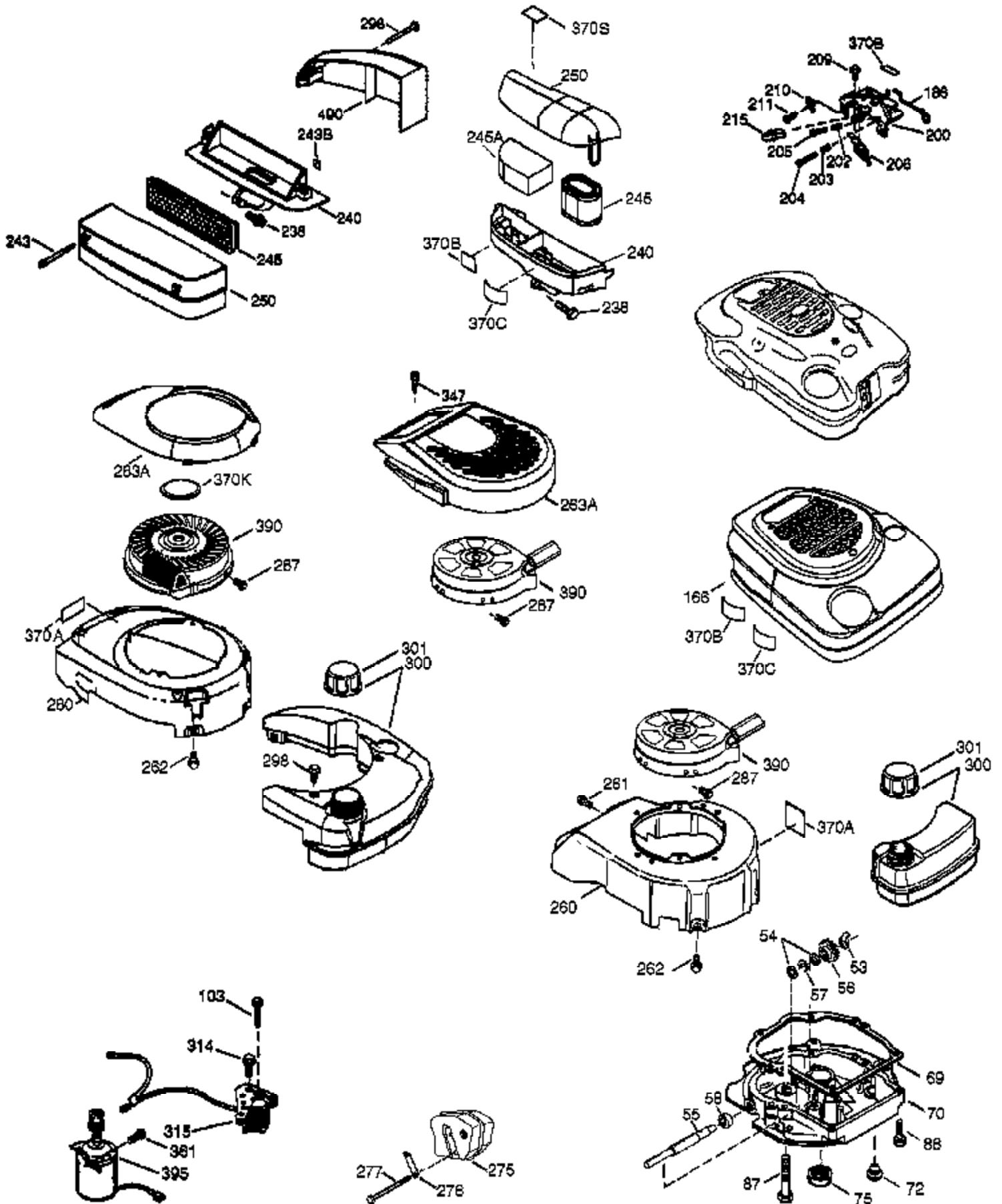




Ref #	Part Number	Qty	Description
	1 36835A	1	Cylinder (Incl. 2 & 20)
	2 26727	2	Dowel Pin
	6 33734	1	Breather Element
	7 36557	1	Breather Ass'y.
12A	36558	1	Breather Cover & Tube
	14 28277	1	Washer
	15 31513	1	Governor Rod (Incl. 14)
	16 34839A	1	Governor Lever
	17 31335	1	Governor Lever Clamp
	18 651018	1	Screw, Torx T-15, 8-32 x 19/64"
	19 36281	1	Extension Spring
	20 32600	1	Oil Seal
	30 37201	1	Crankshaft
	40 35544A	1	Piston, Pin & Ring Set (Std.)
	40 35545A	1	Piston, Pin & Ring Set (.010" OS)
	40 35546	1	Piston, Pin & Ring Set (.020" OS)
	41 35541	1	Piston & Pin Ass'y. (Std.)
	41 35542	1	Piston & Pin Ass'y. (.010" OS) (Incl. 43)
	41 35543	1	Piston & Pin Ass'y. (.020" OS) (Incl. 43)
	42 35547A	1	Ring Set (Std.)
	42 35548A	1	Ring Set (.010" OS)
	42 35549	1	Ring Set (.020" OS)
	43 20381	2	Piston Pin Retaining Ring
	45 32875A	1	Connecting Rod Ass'y. (Incl. 46)
	46 32610A	2	Connecting Rod Bolt
	48 35616	2	Valve Lifter
	50 37286	1	Camshaft (MCR)
	52 29914	1	Oil Pump Ass'y.
	53 31745	1	Tang Washer
	54 31747	1	Washer
	55 35218A	1	P.T.O. Shaft
	56 33401	1	R.H. Worm Gear
	57 33537	1	Retaining Ring
	58 31744	1	Oil Seal
	69 35261	1	* Mounting Flange Gasket
	70 36985A	1	Mounting Flange (Incl. 58,72 thru 83, 306)
	72 36083	1	Oil Drain Plug
	75 26208	1	Oil Seal
	80 30574A	1	Governor Shaft & Spool Ass'y.
	81 30590A	1	Washer
	82 30591	1	Governor Gear Ass'y. (Incl. 81)
	83 30588A	1	Governor Spool
	89 611004	1	Flywheel Key
	90 611112	1	Flywheel
	92 650815	1	Belleville Washer
	93 650816	1	Flywheel Nut
100	34443B	1	Solid State Ignition
101	610118	1	Spark Plug Cover
103	651007	2	Screw, Torx T-15, 10-24 x 15/16"
110	37047	1	Ground Wire
119	36738	1	* Cylinder Head Gasket
120	36721	1	Cylinder Head
125	36471	1	Exhaust Valve (Std.) (Incl. 151)
125	36472	1	Exhaust Valve (1/32" OS) (Incl. 151)
126	37711	1	Intake Valve (Std.) (Incl. 151)
126	29315C	1	Intake Valve (1/32" OS) (Incl. 151)
130A	650999	1	Screw, 5/16-18 x 2-41/64"
130	650912	4	Screw, 5/16-18 x 1-1/2"

Ref #	Part Number	Qty	Description
135	34645	1	Resistor Spark Plug (RN4C)
150	31672	2	Valve Spring
151	31673	2	Valve Spring Cap
153	36649	1	Push Rod Guide
154	650913	1	Rocker Arm Stud
155	35624A	1	Rocker Arm
157	650914	1	Lock Nut
158	36629	2	Push Rod
159	35626	1	* Rocker Arm Cover Gasket
160	35627	1	Rocker Arm Housing
161	30063	4	Screw, Torx T-30, 1/4-20 x 1/2"
178	29752	2	Nut & Lock Washer, 1/4-28
182	30088A	2	Screw, 1/4-28 x 1"
184	26756	1	* Carburetor Gasket
185	36579	1	Intake Pipe
186	32653	1	Governor Link
187	37203	1	Spacer
189	650839	1	Screw, 1/4-20 x 3/8"
191	36559A	1	S.E. Brake Ass'y. (Incl. 195)
195	610973	1	Terminal
207	34336	1	Throttle Link
216	33086	1	R.P.M. Adjusting Lever
223A	651043	1	Screw, 1/4-20 x 1-31/64"
223	651044	1	Screw, 1/4-20 x 2-25/32"
224	36581	1	* Intake Pipe Gasket
238	650806	2	Screw, 10-32 x 5/8"
239	34338	1	* Air Cleaner Gasket
245	36745	1	Air Cleaner Filter
250	36744	1	Air Cleaner Cover
260	37204	1	Blower Housing
261	650853	1	Screw, Torx T-30, 1/4-20 x 1/2"
262	650831	2	Screw, 1/4-20 x 1/2"
275	36492	1	Muffler (Incl. 277)
277	650988	2	Screw, 1/4-20 x 2-9/32"
284	36663	1	Muffler Deflector (Incl. 284A)(Option al)
284A	650821	1	Screw, 10-32 x 1/2" (Optional)
285	35000A	1	Starter Cup
287	650926	2	Screw, 8-32 x 21/64"
290	34357	1	Fuel Line
292	26460	2	Fuel Line Clamp
300	36757	1	Fuel Tank (Incl. 292 & 301)
301	36246	1	Fuel Cap
305	35577	1	Oil Fill Tube
306	36996	1	* "O" Ring
307	35499	1	"O" Ring
309	650562	1	Screw, 10-32 x 1/2"
310	35578	1	Dipstick
313	34080	1	Spacer
370A	36261	1	Lubrication Decal
370D	35977	1	Caution Decal
370C	37199	1	Primer Decal
380	640146	1	Carburetor (Incl. 184)
390	590737	1	Rewind Starter (NOTE: This engine could hav e been built with 590694 starter.)
400	36806B	1	* Gasket Set (Incl. items marked PK i n notes.) Incl. part #'s 26756 (1), 34338 (1), 35626 (1), 35848 (1),36581 (2), 36738, (1), 36832 (1), 36996 (1), 37130 (1)

Ref #	Part Number	Qty	Description
416	36085	1	Spark Arrestor Kit (Incl. 417)(Optional)
417	650821	1	Screw, 10-32 x 1/2" (Optional)
420	730225	1	SAE 30 4-Cycle Engine Oil (Quart)



Ref #	Part Number	Qty	Description
46	32610A	2	Connecting Rod Bolt
53	31745	1	Tang Washer
54	31747	1	Washer
55	35218A	1	P.T.O. Shaft
56	33401	1	R.H. Worm Gear
57	33537	1	Retaining Ring
58	31744	1	Oil Seal
69	35261	1	* Mounting Flange Gasket
70	36985A	1	Mounting Flange (Incl. 58,72 thru 83, 306)
72	36083	1	Oil Drain Plug
75	26208	1	Oil Seal
86	650488	5	Screw, 1/4-20 x 1-1/4"
87	650492	1	Screw, 1/4-20 x 2-1/4"
103	651007	2	Screw, Torx T-15, 10-24 x 15/16"
186	32653	1	Governor Link
238	650806	2	Screw, 10-32 x 5/8"
240	36743	1	Air Cleaner Body
245	36745	1	Air Cleaner Filter
250	36744	1	Air Cleaner Cover
260	37204	1	Blower Housing
261	650853	1	Screw, Torx T-30, 1/4-20 x 1/2"
262	650831	2	Screw, 1/4-20 x 1/2"
263A	36758	1	Starter Grill
275	36492	1	Muffler (Incl. 277)
277	650988	2	Screw, 1/4-20 x 2-9/32"
287	650926	2	Screw, 8-32 x 21/64"
298	28763	2	Screw, 10-32 x 35/64"
300	36757	1	Fuel Tank (Incl. 292 & 301)
301	36246	1	Fuel Cap
370A	36261	1	Lubrication Decal
370C	37199	1	Primer Decal
370K	36695	1	Starter Decal
390	590737	1	Rewind Starter (NOTE: This engine could have been built with 590694 starter.)