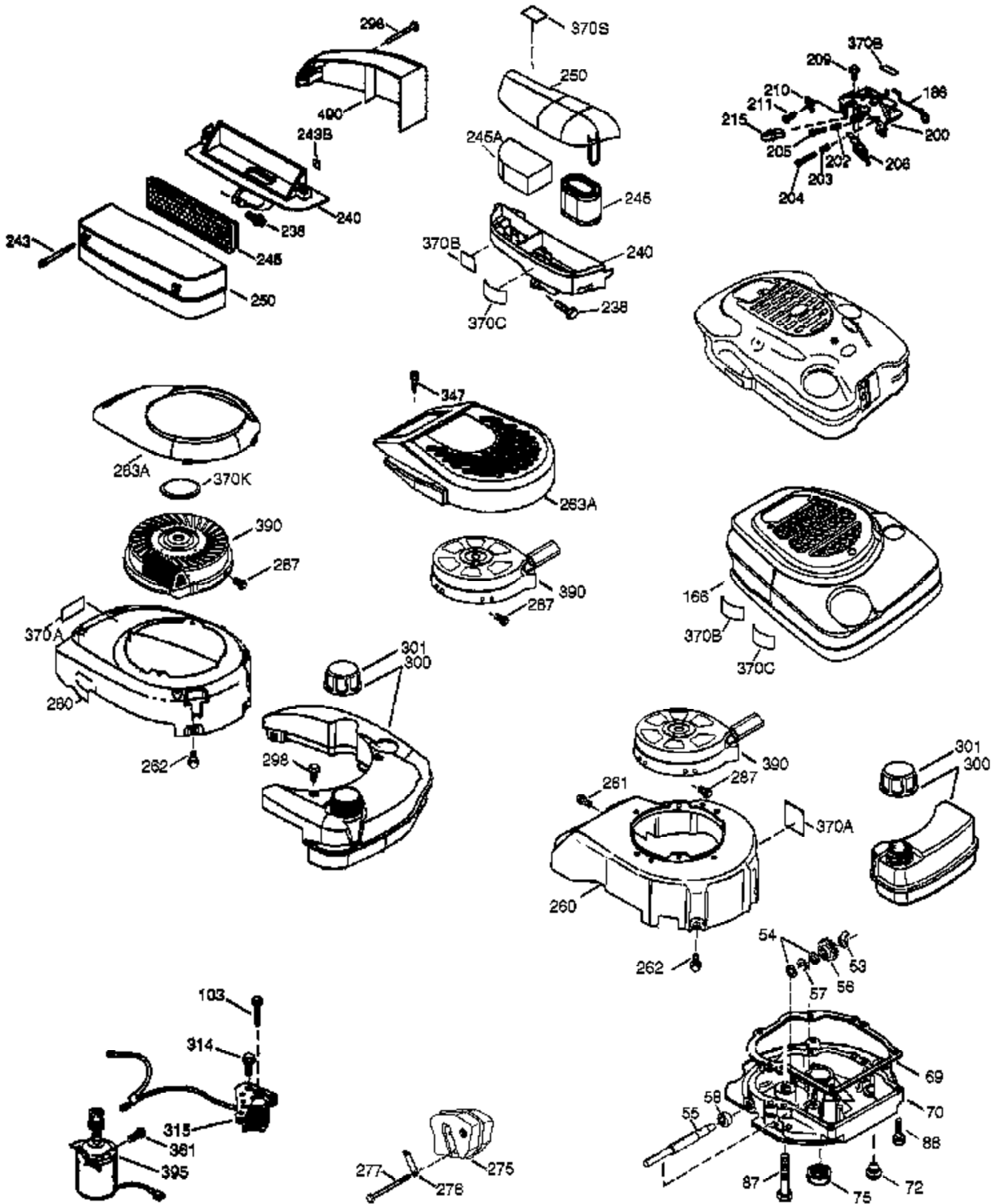


| Ref # | Part Number | Qty | Description                                |
|-------|-------------|-----|--|
|       | 1 36835A    | 1   | Cylinder (Incl. 2 & 20)                    |
|       | 2 26727     | 2   | Dowel Pin                                  |
|       | 6 33734     | 1   | Breather Element                           |
|       | 7 36557     | 1   | Breather Ass'y.                            |
| 12A   | 36558       | 1   | Breather Cover & Tube                      |
|       | 14 28277    | 1   | Washer                                     |
|       | 15 31513    | 1   | Governor Rod (Incl. 14)                    |
|       | 16 34839A   | 1   | Governor Lever                             |
|       | 17 31335    | 1   | Governor Lever Clamp                       |
|       | 18 651018   | 1   | Screw, Torx T-15, 8-32 x 19/64"            |
|       | 19 36281    | 1   | Extension Spring                           |
|       | 20 32600    | 1   | Oil Seal                                   |
|       | 30 37201    | 1   | Crankshaft                                 |
|       | 40 35544A   | 1   | Piston, Pin & Ring Set (Std.)              |
|       | 40 35545A   | 1   | Piston, Pin & Ring Set (.010" OS)          |
|       | 40 35546    | 1   | Piston, Pin & Ring Set (.020" OS)          |
|       | 41 35541    | 1   | Piston & Pin Ass'y. (Std.)                 |
|       | 41 35542    | 1   | Piston & Pin Ass'y. (.010" OS) (Incl. 43)  |
|       | 41 35543    | 1   | Piston & Pin Ass'y. (.020" OS) (Incl. 43)  |
|       | 42 35547A   | 1   | Ring Set (Std.)                            |
|       | 42 35548A   | 1   | Ring Set (.010" OS)                        |
|       | 42 35549    | 1   | Ring Set (.020" OS)                        |
|       | 43 20381    | 2   | Piston Pin Retaining Ring                  |
|       | 45 32875A   | 1   | Connecting Rod Ass'y. (Incl. 46)           |
|       | 46 32610A   | 2   | Connecting Rod Bolt                        |
|       | 48 35616    | 2   | Valve Lifter                               |
|       | 50 37286    | 1   | Camshaft (MCR)                             |
|       | 52 29914    | 1   | Oil Pump Ass'y.                            |
|       | 53 31745    | 1   | Tang Washer                                |
|       | 54 31747    | 1   | Washer                                     |
|       | 55 35218A   | 1   | P.T.O. Shaft                               |
|       | 56 33401    | 1   | R.H. Worm Gear                             |
|       | 57 33537    | 1   | Retaining Ring                             |
|       | 58 31744    | 1   | Oil Seal                                   |
|       | 69 35261    | 1   | * Mounting Flange Gasket                   |
|       | 70 36985A   | 1   | Mounting Flange (Incl. 58,72 thru 83, 306) |
|       | 72 36083    | 1   | Oil Drain Plug                             |
|       | 75 26208    | 1   | Oil Seal                                   |
|       | 80 30574A   | 1   | Governor Shaft & Spool Ass'y.              |
|       | 81 30590A   | 1   | Washer                                     |
|       | 82 30591    | 1   | Governor Gear Ass'y. (Incl. 81)            |
|       | 83 30588A   | 1   | Governor Spool                             |
|       | 89 611004   | 1   | Flywheel Key                               |
|       | 90 611112   | 1   | Flywheel                                   |
|       | 92 650815   | 1   | Belleville Washer                          |
|       | 93 650816   | 1   | Flywheel Nut                               |
| 100   | 34443B      | 1   | Solid State Ignition                       |
| 101   | 610118      | 1   | Spark Plug Cover                           |
| 103   | 651007      | 2   | Screw, Torx T-15, 10-24 x 15/16"           |
| 110   | 37047       | 1   | Ground Wire                                |
| 119   | 36738       | 1   | * Cylinder Head Gasket                     |
| 120   | 36721       | 1   | Cylinder Head                              |
| 125   | 36471       | 1   | Exhaust Valve (Std.) (Incl. 151)           |
| 125   | 36472       | 1   | Exhaust Valve (1/32" OS) (Incl. 151)       |
| 126   | 37711       | 1   | Intake Valve (Std.) (Incl. 151)            |
| 126   | 29315C      | 1   | Intake Valve (1/32" OS) (Incl. 151)        |
| 130A  | 650999      | 1   | Screw, 5/16-18 x 2-41/64"                  |
| 130   | 650912      | 4   | Screw, 5/16-18 x 1-1/2"                    |

| Ref # | Part Number | Qty | Description  |
|-------|-------------|-----|--|
| 135   | 34645       | 1   | Resistor Spark Plug (RN4C)   |
| 150   | 31672       | 2   | Valve Spring   |
| 151   | 31673       | 2   | Valve Spring Cap   |
| 153   | 36649       | 1   | Push Rod Guide   |
| 154   | 650913      | 1   | Rocker Arm Stud  |
| 155   | 35624A      | 1   | Rocker Arm   |
| 157   | 650914      | 1   | Lock Nut   |
| 158   | 36629       | 2   | Push Rod   |
| 159   | 35626       | 1   | * Rocker Arm Cover Gasket  |
| 160   | 35627       | 1   | Rocker Arm Housing   |
| 161   | 30063       | 4   | Screw, Torx T-30, 1/4-20 x 1/2"  |
| 178   | 29752       | 2   | Nut & Lock Washer, 1/4-28  |
| 182   | 30088A      | 2   | Screw, 1/4-28 x 1"   |
| 184   | 26756       | 1   | * Carburetor Gasket  |
| 185   | 36579       | 1   | Intake Pipe  |
| 186   | 32653       | 1   | Governor Link  |
| 187   | 37203       | 1   | Spacer   |
| 189   | 650839      | 1   | Screw, 1/4-20 x 3/8"   |
| 191   | 36559A      | 1   | S.E. Brake Ass'y. (Incl. 195)  |
| 195   | 610973      | 1   | Terminal   |
| 207   | 34336       | 1   | Throttle Link  |
| 216   | 33086       | 1   | R.P.M. Adjusting Lever   |
| 223A  | 651043      | 1   | Screw, 1/4-20 x 1-31/64"   |
| 223   | 651044      | 1   | Screw, 1/4-20 x 2-25/32"   |
| 224   | 36581       | 1   | * Intake Pipe Gasket   |
| 238   | 650806      | 2   | Screw, 10-32 x 5/8"  |
| 239   | 34338       | 1   | * Air Cleaner Gasket   |
| 245   | 36745       | 1   | Air Cleaner Filter   |
| 250   | 36744       | 1   | Air Cleaner Cover  |
| 260   | 37204       | 1   | Blower Housing   |
| 261   | 650853      | 1   | Screw, Torx T-30, 1/4-20 x 1/2"  |
| 262   | 650831      | 2   | Screw, 1/4-20 x 1/2"   |
| 275   | 36492       | 1   | Muffler (Incl. 277)  |
| 277   | 650988      | 2   | Screw, 1/4-20 x 2-9/32"  |
| 285   | 35000A      | 1   | Starter Cup  |
| 287   | 650926      | 2   | Screw, 8-32 x 21/64"   |
| 290   | 34357       | 1   | Fuel Line  |
| 292   | 26460       | 2   | Fuel Line Clamp  |
| 300   | 36757       | 1   | Fuel Tank (Incl. 292 & 301)  |
| 301   | 36246       | 1   | Fuel Cap   |
| 305   | 35577       | 1   | Oil Fill Tube  |
| 306   | 36996       | 1   | * "O" Ring   |
| 307   | 35499       | 1   | "O" Ring   |
| 309   | 650562      | 1   | Screw, 10-32 x 1/2"  |
| 310   | 35578       | 1   | Dipstick   |
| 313   | 34080       | 1   | Spacer   |
| 370D  | 35977       | 1   | Caution Decal  |
| 370A  | 36261       | 1   | Lubrication Decal  |
| 370C  | 37199       | 1   | Primer Decal   |
| 380   | 640146      | 1   | Carburetor (Incl. 184)   |
| 390   | 590737      | 1   | Rewind Starter (NOTE: This engine could have been built with 590694 starter.)  |
| 400   | 36806B      | 1   | * Gasket Set (Incl. items marked PK in notes.) Incl. part #'s 26756 (1), 34338 (1), 35626 (1), 35848 (1), 36581 (2), 36738, (1), 36832 (1), 36996 (1), 37130 (1) |
| 420   | 730225      | 1   | SAE 30 4-Cycle Engine Oil (Quart)  |



| Ref # | Part Number | Qty | Description   |
|-------|-------------|-----|---|
| 46    | 32610A      | 2   | Connecting Rod Bolt   |
| 53    | 31745       | 1   | Tang Washer   |
| 54    | 31747       | 1   | Washer  |
| 55    | 35218A      | 1   | P.T.O. Shaft  |
| 56    | 33401       | 1   | R.H. Worm Gear  |
| 57    | 33537       | 1   | Retaining Ring  |
| 58    | 31744       | 1   | Oil Seal  |
| 69    | 35261       | 1   | * Mounting Flange Gasket  |
| 70    | 36985A      | 1   | Mounting Flange (Incl. 58,72 thru 83, 306)                                    |
| 72    | 36083       | 1   | Oil Drain Plug  |
| 75    | 26208       | 1   | Oil Seal  |
| 86    | 650488      | 5   | Screw, 1/4-20 x 1-1/4"  |
| 87    | 650492      | 1   | Screw, 1/4-20 x 2-1/4"  |
| 103   | 651007      | 2   | Screw, Torx T-15, 10-24 x 15/16"  |
| 186   | 32653       | 1   | Governor Link   |
| 238   | 650806      | 2   | Screw, 10-32 x 5/8"   |
| 240   | 36743       | 1   | Air Cleaner Body  |
| 245   | 36745       | 1   | Air Cleaner Filter  |
| 250   | 36744       | 1   | Air Cleaner Cover   |
| 260   | 37204       | 1   | Blower Housing  |
| 261   | 650853      | 1   | Screw, Torx T-30, 1/4-20 x 1/2"   |
| 262   | 650831      | 2   | Screw, 1/4-20 x 1/2"  |
| 263A  | 36758       | 1   | Starter Grill   |
| 275   | 36492       | 1   | Muffler (Incl. 277)   |
| 277   | 650988      | 2   | Screw, 1/4-20 x 2-9/32"   |
| 287   | 650926      | 2   | Screw, 8-32 x 21/64"  |
| 298   | 28763       | 2   | Screw, 10-32 x 35/64"   |
| 300   | 36757       | 1   | Fuel Tank (Incl. 292 & 301)   |
| 301   | 36246       | 1   | Fuel Cap  |
| 370A  | 36261       | 1   | Lubrication Decal   |
| 370C  | 37199       | 1   | Primer Decal  |
| 370K  | 36695       | 1   | Starter Decal   |
| 390   | 590737      | 1   | Rewind Starter (NOTE: This engine could have been built with 590694 starter.) |