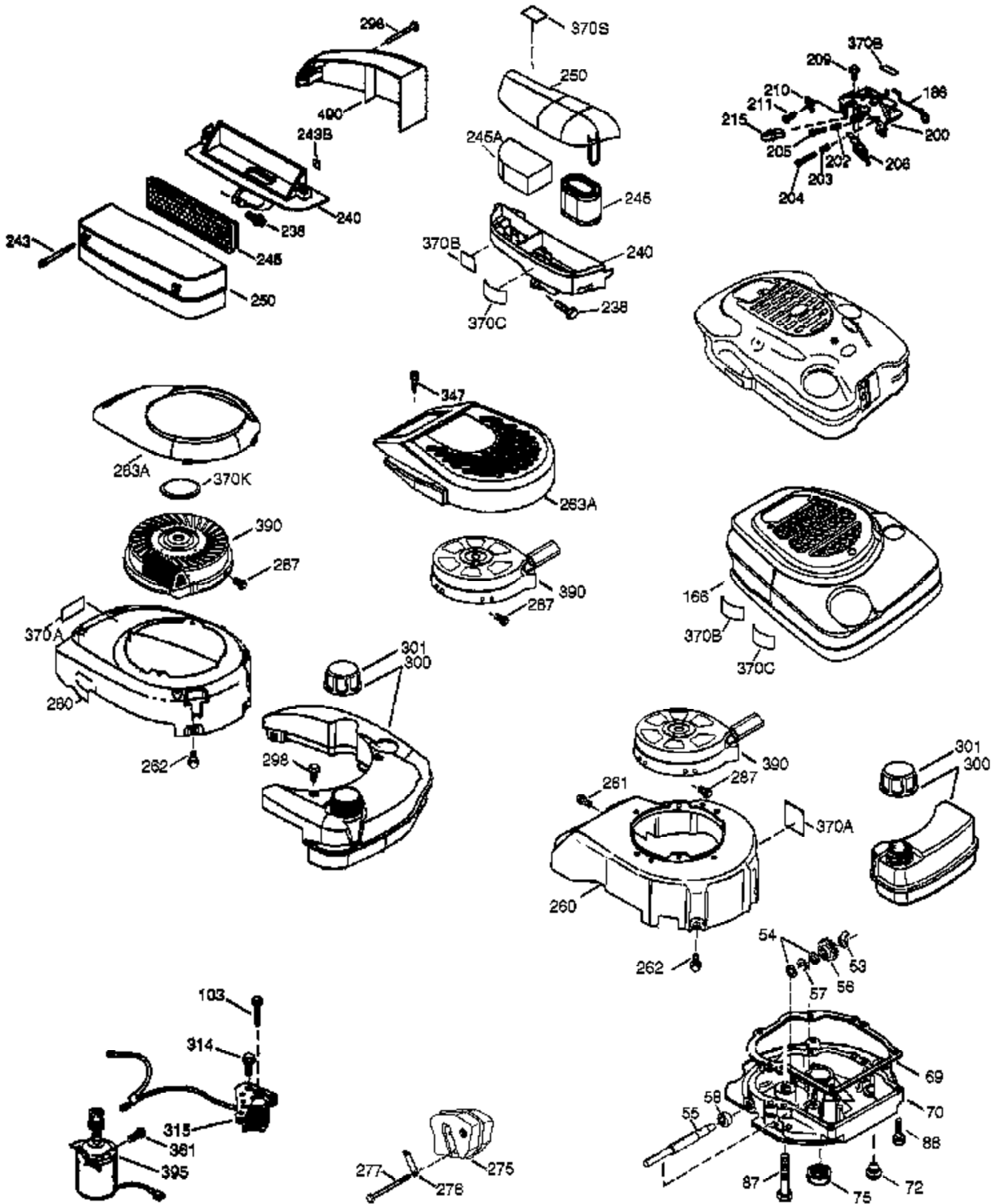


Ref #	Part Number	Qty	Description
	1 36835B	1	Cylinder (Incl. 2,7 & 20)
	2 26727	2	Dowel Pin
	6 33734	1	Breather Element
	7 36557	1	Breather Ass'y.
	12B 34695	1	Breather Tube Elbow
	12A 36558	1	Breather Cover & Tube (Incl. 12B)
	14 28277	1	Washer
	15 30589	1	Governor Rod (Incl. 14)
	16 34839A	1	Governor Lever
	17 31335	1	Governor Lever Clamp
	18 651018	1	Screw, 8-32 x 19/64"
	19 36281	1	Extension Spring
	20 32600	1	Oil Seal
	30 36587	1	Crankshaft
	40 35544A	1	Piston, Pin & Ring Set (Std.)
	40 35545A	1	Piston, Pin & Ring Set (.010" OS)
	40 35546	1	Piston, Pin & Ring Set (.020" OS)
	41 35541	1	Piston & Pin Ass'y. (Std.)
	41 35542	1	Piston & Pin Ass'y. (.010" OS) (Incl. 43)
	41 35543	1	Piston & Pin Ass'y. (.020" OS) (Incl. 43)
	42 35547A	1	Ring Set (Std.)
	42 35548A	1	Ring Set (.010" OS)
	42 35549	1	Ring Set (.020" OS)
	43 20381	2	Piston Pin Retaining Ring
	45 32875A	1	Connecting Rod Ass'y. (Incl. 46)
	46 32610A	2	Connecting Rod Bolt
	48 35616	2	Valve Lifter
	50 37285	1	Camshaft (BCR)
	52 29914	1	Oil Pump Ass'y.
	69 35261	1	* Mounting Flange Gasket
	70 34311E	1	Mounting Flange (Incl. 72 thru 83)
	72 36083	1	Oil Drain Plug
	75 27897	1	Oil Seal
	80 30574A	1	Governor Shaft & Spool Ass'y.
	81 30590A	1	Washer
	82 30591	1	Governor Gear Ass'y. (Incl. 81)
	83 30588A	1	Governor Spool
	89 611004	1	Flywheel Key
	90 611112	1	Flywheel
	92 650815	1	Belleville Washer
	93 650816	1	Flywheel Nut
	100 34443A	1	Solid State Ignition
	101 610118	1	Spark Plug Cover
	103 651007	2	Screw, Torx T-15, 10-24 x 15/16"
	110A 37335	1	Wire (10.625")
	110 37047	1	Ground Wire
	119 36738	1	* Cylinder Head Gasket
	120 36721	1	Cylinder Head
	125 36471	1	Exhaust Valve (Std.) (Incl. 151)
	125 36472	1	Exhaust Valve (1/32" OS) (Incl. 151)
	126 37711	1	Intake Valve (Std.) (Incl. 151)
	126 29315C	1	Intake Valve (1/32" OS) (Incl. 151)
	127 650691	5	Washer
	128 650690	5	Belleville Washer
	130A 650999	1	Screw, 5/16-18 x 2-41/64"
	130 650912	4	Screw, 5/16-18 x 1-1/2"
	135 34645	1	Resistor Spark Plug (RN4C)
	150 31672	2	Valve Spring

Ref #	Part Number	Qty	Description
151	31673	2	Valve Spring Cap
153	36649	1	Push Rod Guide
154	650913	1	Rocker Arm Stud
155	35624A	1	Rocker Arm
157	650914	1	Lock Nut
158	36629	2	Push Rod
159	35626	1	* Rocker Arm Cover Gasket
160	35627	1	Rocker Arm Housing
161	30063	4	Screw, Torx T-30, 1/4-20 x 1/2"
178	29752	2	Nut & Lock Washer, 1/4-28
182	30088A	2	Screw, 1/4-28 x 1"
184	26756	1	* Carburetor Gasket
185	36579	1	Intake Pipe
186	34337	1	Governor Link
187	37203	1	Spacer Intake Pipe
189	650839	1	Screw, 1/4-20 x 3/8"
191	36559A	1	S.E. Brake Ass'y. (Incl. 195)
195	610973	1	Terminal
200	33131A	1	Control Bracket
207	34336	1	Throttle Link
209	30200	2	Screw, 10-24 x 9/16"
212	30773	1	Bushing
223	651043	1	Screw, 1/4-20 x 1-31/64"
223A	651040	1	Heat Shield Stud
223A	651044	1	Screw, 1/4-20 x 2-25/32"
224	36581	1	* Intake Pipe Gasket
238	650932	2	Screw, 10-32 x 49/64"
238	650806	1	Screw, 10-32 x 5/8"
239	34338	1	* Air Cleaner Gasket
245	36745	1	Air Cleaner Filter
250	36744	1	Air Cleaner Cover
260	37204	1	Blower Housing
261	650853	2	Screw, Torx T-30, 1/4-20 x 1/2"
262	650831	2	Screw, 1/4-20 x 1/2"
266A	650852	1	Lockwasher & Nut
275	36950A	1	Muffler (Incl. 277)
276	36949	1	Locking Plate
277	651039	2	Screw, 1/4-20 x 2-5/16"
278	37209	1	Spacer
279	650431	1	Screw, Torx T-25, 10-32 x 5/8"
279A	30063	1	Screw, T-30 1/4-20 x 1/2"
280	37210	1	Heat Muffler Shield
285	35000A	1	Starter Cup
287	650926	2	Screw, 8-32 x 21/64"
290	29774	1	Fuel Line
292	26460	2	Fuel Line Clamp
300	36757	1	Fuel Tank (Incl. 292 & 301)
301	36246	1	Fuel Cap
305	35577	1	Oil Fill Tube
306	36996	1	* "O" Ring
307	36272	1	"O" Ring
309	650562	1	Screw, 10-32 x 13/32"
310	36271	1	Dipstick
313	34080	1	Spacer
341A	37216	1	Blower Housing Support Bracket
370D	35977	1	Instruction Decal
370C	37199	1	Primer Decal (5X)
370A	36261	1	Lubrication Decal

Ref #	Part Number	Qty	Description
380	640212	1	Carburetor (Incl. 184)
390	590737	1	Rewind Starter (NOTE: This engine could have been built with 590694 starter. Refer to the design of the air intake louvers for part identification. Individual starter parts do not interchange.)
400	36806B	1	* Gasket Set (Incl. items marked PK i n notes.)
416	36085	1	Spark Arrestor Kit (Incl. 417)(Option al)
417	650760	1	Screw, 8-32 x 3/8" (Optional)
420	730225	1	SAE 30 4-Cycle Engine Oil (Quart)



Ref #	Part Number	Qty	Description
46	32610A	2	Connecting Rod Bolt
69	35261	1	* Mounting Flange Gasket
70	34311E	1	Mounting Flange (Incl. 72 thru 83)
72	36083	1	Oil Drain Plug
75	27897	1	Oil Seal
86	650488	6	Screw, 1/4-20 x 1-1/4"
103	651007	2	Screw, Torx T-15, 10-24 x 15/16"
186	34337	1	Governor Link
200	33131A	1	Control Bracket
203	31342	1	Compression Spring
204	651029	1	Screw, 5-40 x 7/16
205	651019	1	Screw, 6-32 x 4 1/64
209	30200	2	Screw, 10-24 x 9/16"
210	27793		Conduit Clip
238	650932	2	Screw, 10-32 x 49/64"
238	650806	1	Screw, 10-32 x 5/8"
240	36743	1	Air Cleaner Collar
245	36745	1	Air Cleaner Filter
245A	36746	1	Air Filter (Pre)
250	36744	1	Air Cleaner Cover
260	37204	1	Blower Housing
261	650853	2	Screw, Torx T-30, 1/4-20 x 1/2"
262	650831	2	Screw, 1/4-20 x 1/2"
263A	36758	1	Starter Cover Grille
275	36950A	1	Muffler (Incl. 277)
276	36949	1	Locking Plate
277	651039	2	Screw, 1/4-20 x 2-5/16"
287	650926	2	Screw, 8-32 x 21/64"
298	28763	2	Screw, 10-32 x 35/64"
300	36757	1	Fuel Tank (Incl. 292 & 301)
301	36246	1	Fuel Cap
370K	36695	1	Emblem Decal
370C	37199	1	Primer Decal (5X)
370A	36261	1	Lubrication Decal
390	590737	1	Rewind Starter (NOTE: This engine could have been built with 590694 starter. Refer to the design of the air intake louvers for part identification. Individual starter parts do not interchange.)