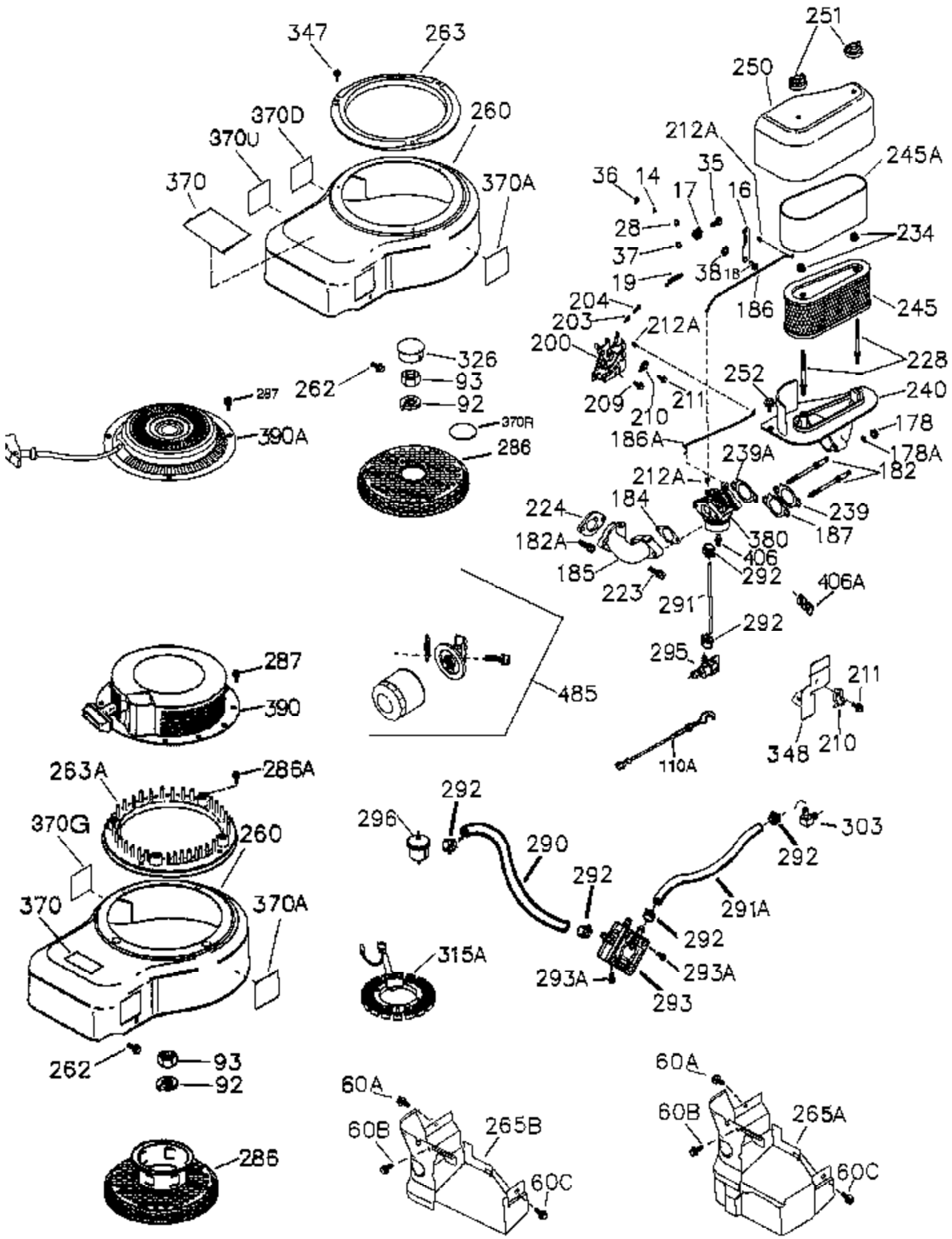


| Ref # | Part Number | Qty | Description                                       |
|-------|-------------|-----|---|
| 1     | 36300A      | 1   | Cylinder (Incl. 2, 11B, 20, 72B & 314 )           |
| 2     | 27652       | 1   | Dowel Pin   |
| 11B   | 650902      | 1   | Screw, 10-32 x 7/16"                              |
| 11    | 36302       | 1   | Check Valve                                       |
| 11A   | 36303       | 1   | Breather Plate                                    |
| 15    | 36307       | 1   | Governor Rod                                      |
| 20    | 36301       | 1   | Oil Seal  |
| 30    | 36308       | 1   | Crankshaft  |
| 31    | 36324       | 1   | Counterbalance Gear                               |
| 38    | 29642       | 1   | Retainer Ring                                     |
| 40    | 36312       | 1   | Piston, Pin & Ring Set (Std.)                     |
| 40    | 36313       | 1   | Piston, Pin & Ring Set (.010" OS)                 |
| 40    | 36314       | 1   | Piston, Pin & Ring Set (.020" OS)                 |
| 41    | 36309       | 1   | Piston & Pin Ass'y. (Std.) (Incl. 43)             |
| 41    | 36310       | 1   | Piston & Pin Ass'y. (.010" OS) (Incl. 43)         |
| 41    | 36311       | 1   | Piston & Pin Ass'y. (.020" OS) (Incl. 43)         |
| 42    | 36315       | 1   | Ring Set (Std.)                                   |
| 42    | 36316       | 1   | Ring Set (.010" OS)                               |
| 42    | 36317       | 1   | Ring Set (.020" OS)                               |
| 43    | 35772       | 2   | Piston Pin Retaining Ring                         |
| 45    | 36318A      | 1   | Connecting Rod Ass'y. (Incl. 46)                  |
| 45    | 36319       | 1   | Connecting Rod Ass'y. (.010" US) (Incl. 46)       |
| 45    | 36320       | 1   | Connecting Rod Ass'y. (.020" US) (Incl. 46)       |
| 46    | 651063      | 2   | Connecting Rod Bolts                              |
| 48    | 36321       | 2   | Valve Lifter                                      |
| 50A   | 730656      |     | Camshaft Repair Kit                               |
| 50    | 36533A      | 1   | Camshaft (MCR)                                    |
| 51    | 36323       | 1   | Counterbalance Weight                             |
| 52A   | 36331       | 1   | Oil Pump Shaft                                    |
| 52D   | 650888      | 3   | Screw, T-30, 1/4-20 x 43/64"                      |
| 52C   | 36334       | 1   | Oil Pump Cover (Incl. 52B)                        |
| 52B   | 36333       | 1   | * "O" Ring  |
| 52    | 37305       | 1   | Oil Pump Ass'y.                                   |
| 60    | 36361       | 1   | Air Baffle  |
| 60A   | 650781      | 1   | Screw, 5/16-18 x 11/16"                           |
| 60B   | 650867      | 1   | Screw, 10-24 x 1/2"                               |
| 65    | 30063       | 1   | Screw, T-30, 1/4-20 x 1/2"                        |
| 69    | 36565       | 1   | * Mounting Flange Gasket                          |
| 70    | 37304A      | 1   | Mounting Flange (Incl. 72, 72B, 75, 80, 38 1-387) |
| 72A   | 28483       | 2   | Oil Drain Plug                                    |
| 72B   | 28534       | 2   | Oil Drain Plug                                    |
| 72    | 31927       | 1   | Oil Drain Plug                                    |
| 75    | 36301       | 1   | Oil Seal  |
| 80    | 35712       | 1   | Governor Shaft                                    |
| 81    | 35479       | 2   | Washer  |
| 82    | 36327       | 1   | Governor Gear Ass'y.                              |
| 83    | 35322       | 1   | Governor Spool                                    |
| 84    | 29193       | 1   | Retaining Ring                                    |
| 86    | 650970      | 9   | Screw, 1/4-20 x 1-15/32"                          |
| 89    | 650592      | 1   | Flywheel Key                                      |
| 90    | 611243      | 1   | Flywheel (W/Ring Gear)                            |
| 91    | 611241      | 1   | Flywheel Fan                                      |
| 91A   | 611242      | 1   | Flywheel Retainer                                 |
| 100   | 36344A      | 1   | Solid State Ignition (Incl. 101)                  |
| 101   | 610118      | 1   | Spark Plug Cover                                  |
| 102   | 651024      | 2   | Solid State Mounting Stud                         |
| 103   | 651007      | 2   | Screw, T-15, 10-24 x 15/16"                       |
| 110   | 37494       | 1   | Ground Wire                                       |

| Ref # | Part Number | Qty | Description                                    |
|-------|-------------|-----|--|
| 119   | 37493       | 1   | * Cylinder Head Gasket                         |
| 120   | 37495       | 1   | Cylinder Head (Incl. 119 & 151A)               |
| 125   | 35308       | 1   | Exhaust Valve (Std.)                           |
| 125   | 35433       | 1   | Exhaust Valve (1/32" OS)                       |
| 126   | 35309       | 1   | Intake Valve (Std.)                            |
| 127   | 650691      | 6   | Washer   |
| 128   | 650690      | 6   | Belleville Washer                              |
| 130   | 650946      | 6   | Screw, 5/16-18 x 2-45/64"                      |
| 135   | 34645       | 1   | Spark Plug (RN4C)                              |
| 150   | 33507       | 2   | Valve Spring                                   |
| 151   | 33508       | 2   | Valve Spring Keeper                            |
| 151A  | 40046       | 1   | Intake Valve Seal                              |
| 153   | 36339       | 1   | Push Rod Guide                                 |
| 154   | 651077      | 2   | Rocker Arm Stud                                |
| 155   | 35950       | 2   | Rocker Arm                                     |
| 156   | 730636      | 2   | Rocker Arm Bearing                             |
| 157A  | 650586      | 2   | Jam Nut, 5/16-24                               |
| 158   | 36340       | 2   | Push Rod                                       |
| 159   | 35952       | 1   | * Rocker Arm Cover Gasket                      |
| 160   | 35953A      | 1   | Rocker Arm Housing                             |
| 161   | 30063       | 4   | Screw, T-30, 1/4-20 x 1/2"                     |
| 169   | 36304       | 1   | * Breather Gasket                              |
| 172   | 36305       | 1   | Valve Cover                                    |
| 173   | 36306       | 1   | Breather Tube                                  |
| 174   | 30063       | 4   | Screw, T-30, 1/4-20 x 1/2"                     |
| 229   | 650825      | 2   | Nut & Lock Washer, 1/4-20                      |
| 265   | 36616       | 1   | Cylinder Head Cover                            |
| 269   | 36365       | 1   | * Exhaust Manifold Gasket                      |
| 270A  | 35829A      | 1   | Exhsust Port Liner                             |
| 294   | 35791       | 1   | Pulse Pump Repair Kit                          |
| 305   | 36349       | 1   | Oil Fill Tube                                  |
| 305   | 36349       | 1   | Oil Fill Tube                                  |
| 306   | 37401       | 1   | "O" Ring                                       |
| 307   | 35499       | 1   | "O" Ring                                       |
| 309   | 650974      | 1   | Screw, 1/4-20 x 57/64"                         |
| 309   | 650974      | 1   | Screw, 1/4-20 x 57/64"                         |
| 310   | 36366       | 1   | Dipstick                                       |
| 314   | 651007      | 2   | Screw, T-30, 5/16-18 x 1-7/16"                 |
| 315   | 611280      | 1   | Alternator Coil (3/5 Split)(Incl. 321 - 323)   |
| 321   | 611161      | 1   | Diode  |
| 322   | 611281      | 1   | Connector Body                                 |
| 323   | 611282      | 2   | Terminal                                       |
| 325B  | 37230       | 1   | Wire Clip                                      |
| 325   | 36342       | 1   | Wire Clip                                      |
| 346   | 36413       | 1   | Fuel Pump Bracket                              |
| 361   | 650969      | 2   | Screw, 5/16-18 x 29/32"                        |
| 381   | 650767      | 1   | Screw, 8-32 x 27/64"                           |
| 382   | 36328       | 1   | Oil Strainer Screen                            |
| 385   | 570673      | 1   | Ball   |
| 386   | 36329       | 1   | Pressure Relief Spring                         |
| 387   | 37652       | 1   | Cotter Pin                                     |
| 395   | 36795       | 1   | Electric Starter Motor (12 Volt)               |
| 400   | 37496       | 1   | * Gasket Set (Incl. items marked PK i n notes) |
| 420   | 730225A     | 1   | SAE 30 4-Cycle Engine Oil (Quart)              |
| 477   | 650971      | 2   | Screw, T-30, 5/16-18 x 7/8"                    |
| 478   | 36336       | 1   | Oil Passage Cover (Incl. 479)                  |
| 479   | 36335       | 1   | Oil Filter Adapter Gasket                      |



| Ref # | Part Number | Qty | Description                          |
|-------|-------------|-----|--------------------------------------|
| 14    | 28277       | 2   | Washer                               |
| 16    | 36346A      | 1   | Governor Lever (Incl. 212A)          |
| 17    | 29916       | 1   | Governor Lever Clamp                 |
| 18    | 651028      | 1   | Screw, T-15, 8-32 x 3/8"             |
| 19    | 36414       | 1   | Extension Spring                     |
| 28    | 30322       | 1   | Lock Nut, 8-32                       |
| 35    | 29826       | 1   | Screw, 10-32 x 3/4"                  |
| 36    | 29918       | 1   | Lock Washer                          |
| 37    | 29216       | 1   | Lock Nut, 10-32                      |
| 38    | 29642       | 1   | Retainer Ring                        |
| 60B   | 650867      | 1   | Screw, 10-24 x 1/2"                  |
| 60A   | 650781      | 1   | Screw, 5/16-18 x 11/16"              |
| 60C   | 650737      | 1   | Screw, 1/4-20 x 1/2"                 |
| 92    | 651082      | 1   | Lock Washer                          |
| 93    | 650594      | 1   | Flywheel Nut                         |
| 157A  | 650586      | 2   | Jam Nut, 5/16-24                     |
| 178   | 650928      | 2   | Lock Nut, 1/4-20                     |
| 182   | 650925A     | 2   | Carburetor Mounting Stud             |
| 184   | 36352       | 1   | * Carburetor To Intake Pipe Gasket   |
| 185   | 37767       | 1   | Intake Pipe                          |
| 186   | 36354       | 1   | Governor Link                        |
| 186A  | 36353       | 1   | Choke Link                           |
| 200   | 36360       | 1   | Control Bracket (Incl. 203,204,212A) |
| 203   | 36482       | 1   | Compression Spring                   |
| 204   | 650777      | 1   | Screw, 6-32 x 21/32"                 |
| 209   | 650902      | 2   | Screw, 10-32 x 7/16"                 |
| 210   | 27793       | 1   | Conduit Clip                         |
| 211   | 650431      | 1   | Screw, T-25, 10-32 x 5/8"            |
| 212A  | 36288       | 3   | Bushing                              |
| 223   | 650975      | 2   | Screw, T-30, 5/16-18 x 1-9/32"       |
| 224   | 36490       | 1   | * Intake Spacer                      |
| 228   | 650977      | 2   | Air Cleaner Stud                     |
| 229   | 650825      | 2   | Nut & Lock Washer, 1/4-20            |
| 239   | 36358       | 1   | * Air Cleaner Gasket                 |
| 240   | 36355       | 1   | Air Cleaner Body (Incl. 228 & 239)   |
| 245A  | 36357       | 1   | Air Cleaner Filter                   |
| 245   | 36356       | 1   | Air Cleaner Filter (Incl. 229)       |
| 250   | 36359       | 1   | Air Cleaner Cover                    |
| 251   | 650886      | 2   | Wing Nut, 1/4-20                     |
| 252   | 650976      | 1   | Screw, 1/4-20 x 19/32"               |
| 260   | 36347       | 1   | Blower Housing                       |
| 262   | 650737      | 3   | Screw, 1/4-20 x 1/2"                 |
| 263   | 36367       | 1   | Trim Ring                            |
| 286   | 36343       | 1   | Cup & Screen                         |
| 290   | 29774       | 1   | Fuel Line                            |
| 292   | 26460       | 2   | Fuel Line Clamp                      |
| 293A  | 650931      | 2   | Screw, 8-32 x 1-1/2"                 |
| 293   | 35787       | 1   | Pulse Pump (Incl. 294)               |
| 296   | 37768       | 1   | Fuel Filter (Incl. 292)              |
| 303   | 32958       | 1   | Fuel Fitting                         |
| 326   | 36210       | 1   | Screen Plug                          |
| 347   | 650949      | 3   | Screw, 10-32 x 9/16"                 |
| 370G  | 35274       | 1   | Oil Instruction Decal                |
| 380   | 640330      | 1   | Carburetor (Incl. 184 & 212A)        |