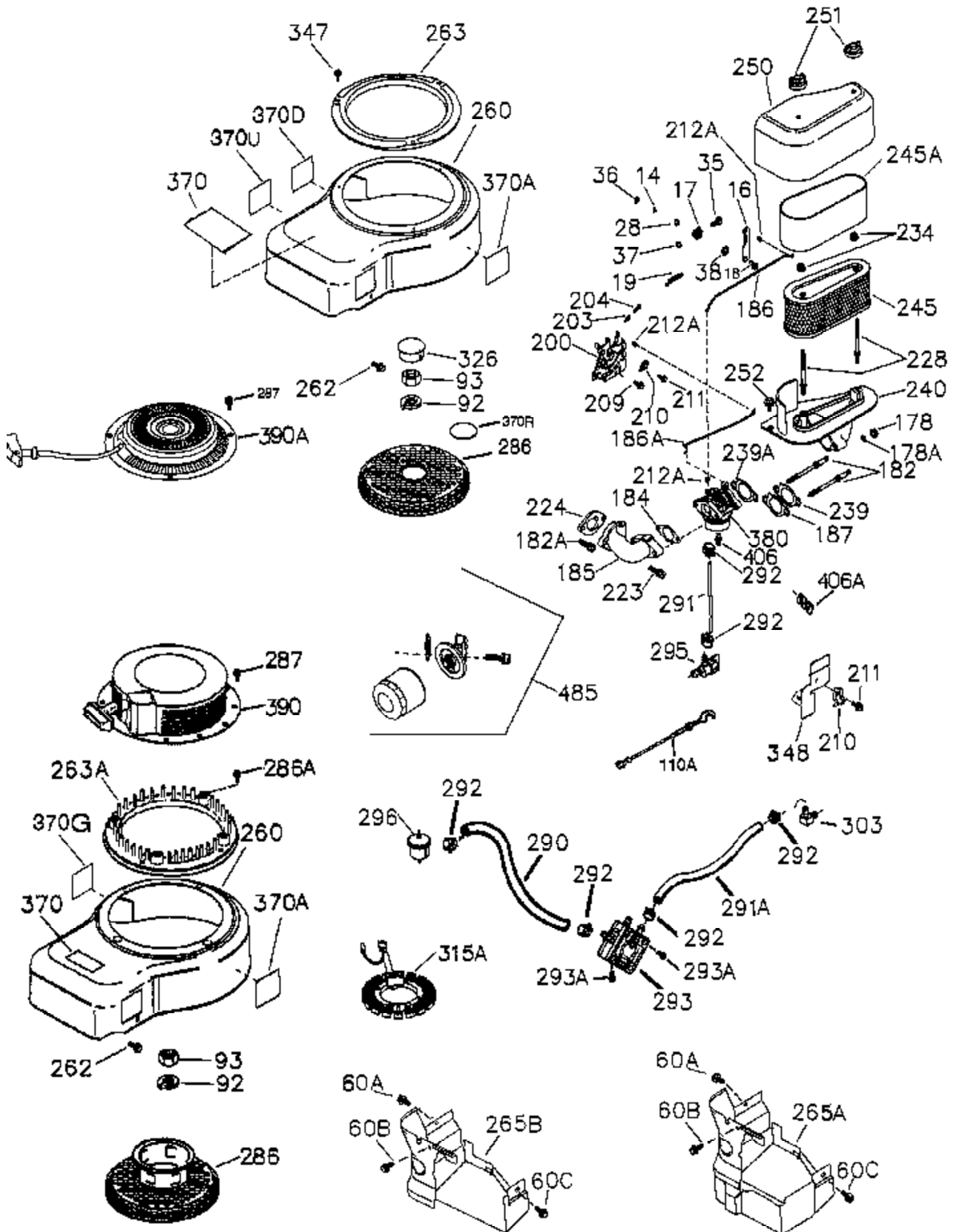




| Ref # | Part Number | Qty | Description                                   |
|-------|-------------|-----|---|
| 1     | 36300A      | 1   | Cylinder (Incl. 2,11B,20,72B & 314)           |
| 2     | 27652       | 1   | Dowel Pin                                     |
| 11    | 36302       | 1   | Check Valve                                   |
| 11A   | 36303       | 1   | Breather Plate                                |
| 11B   | 650902      | 1   | Screw, 10-32 x 7/16"                          |
| 15    | 36307       | 1   | Governor Rod                                  |
| 20    | 36301       | 1   | Oil Seal                                      |
| 30    | 36308       | 1   | Crankshaft                                    |
| 31    | 36324       | 1   | Counterbalance Gear                           |
| 38    | 29642       | 1   | Retaining Ring                                |
| 40    | 36312       | 1   | Piston, Pin & Ring Set (Std.)                 |
| 40    | 36313       | 1   | Piston, Pin & Ring Set (.010" OS)             |
| 40    | 36314       | 1   | Piston, Pin & Ring Set (.020" OS)             |
| 41    | 36309       | 1   | Piston & Pin Ass'y. (Std.) (Incl. 43)         |
| 41    | 36310       | 1   | Piston & Pin Ass'y. (.010" OS) (Incl. 43)     |
| 41    | 36311       | 1   | Piston & Pin Ass'y. (.020" OS) (Incl. 43)     |
| 42    | 36315       | 1   | Ring Set (Std.)                               |
| 42    | 36316       | 1   | Ring Set (.010" OS)                           |
| 42    | 36317       | 1   | Ring Set (.020" OS)                           |
| 43    | 35772       | 1   | Piston Pin Retaining Ring                     |
| 45    | 36318A      | 1   | Connecting Rod (Incl. 46)                     |
| 45    | 36319       | 1   | Connecting Rod Ass'y. (.010" US) (Incl. 46)   |
| 45    | 36320       | 1   | Connecting Rod Ass'y. (.020" US) (Incl. 46)   |
| 46    | 650908      | 2   | Connecting Rod Bolt                           |
| 48    | 36321       | 2   | Valve Lifter                                  |
| 50A   | 730656      |     | Camshaft Repair Kit                           |
| 50    | 36533A      | 1   | Camshaft (MCR)                                |
| 51    | 36323       | 1   | Counterbalance Weight                         |
| 52A   | 36331       | 1   | Oil Pump Shaft                                |
| 52D   | 650888      | 3   | Screw, Torx T-30, 1/4-20 x 43/64"             |
| 52C   | 36334       | 1   | Oil Pump Cover (Incl. 52B)                    |
| 52B   | 36333       | 1   | * "O" Ring                                    |
| 52    | 36332       | 1   | Oil Pump Ass'y.                               |
| 60B   | 650867      | 1   | Screw, 10-24 x 1/2"                           |
| 60    | 36361       | 1   | Air Baffle                                    |
| 60A   | 650781      | 1   | Screw, 5-16/18 x 11/16"                       |
| 65    | 30063       | 1   | Screw, Torx T-30, 1/4-20 x 1/2"               |
| 66    | 650737      | 1   | Screw, 1/4-20 x 1/2"                          |
| 69    | 36565       | 1   | * Mounting Flange Gasket                      |
| 70    | 36566       | 1   | Mounting Flange (Incl. 72,72B,75,80,3 81-387) |
| 72A   | 28483       | 2   | Oil Drain Plug                                |
| 72B   | 28534       | 4   | Pipe Plug                                     |
| 75    | 36301       | 1   | Oil Seal                                      |
| 80    | 35712       | 1   | Governor Shaft                                |
| 81    | 35479       | 2   | Washer  |
| 82    | 36327       | 1   | Governor Gear Ass'y.                          |
| 83    | 35322       | 1   | Governor Spool                                |
| 84    | 29193       | 1   | Retaining Ring                                |
| 86    | 650970      | 9   | Screw, 1/4-20 x 1-15/32"                      |
| 89    | 650592      | 1   | Flywheel Key                                  |
| 90    | 611243      | 1   | Flywheel                                      |
| 91    | 611241      | 1   | Flywheel Fan                                  |
| 91A   | 611242      | 1   | Flywheel Retainer                             |
| 100   | 36344       | 1   | Solid State Ignition (Incl. 101)              |
| 101   | 610118      | 1   | Spark Plug Cover                              |
| 102   | 651024      | 2   | Solid State Mounting Stud                     |
| 103   | 651007      | 2   | Screw, Torx T-15, 10-24 x 15/16"              |
| 110   | 36645       | 1   | Ground Wire                                   |

| Ref # | Part Number | Qty | Description  |
|-------|-------------|-----|--|
| 119   | 36337       | 1   | * Cylinder Head Gasket   |
| 120   | 36488       | 1   | Cylinder Head  |
| 125   | 35308       | 1   | Exhaust Valve (Std.)   |
| 125   | 35433       | 1   | Exhaust Valve (1/32" OS)   |
| 126   | 35309       | 1   | Intake Valve (Std.)  |
| 126   | 35432       | 1   | Intake Valve (1/32" OS)  |
| 127   | 650691      | 6   | Washer   |
| 128   | 650690      | 6   | Belleville Washer  |
| 130   | 650946      | 6   | Screw, 5/16-18 x 2-45/64"  |
| 135   | 34645       | 1   | Spark Plug (RN4C)  |
| 150   | 33507       | 2   | Valve Spring   |
| 151   | 33508       | 2   | Valve Spring Keeper  |
| 153   | 36339       | 1   | Push Rod Guide   |
| 154   | 650972      | 2   | Rocker Arm Stud  |
| 155   | 35950       | 2   | Rocker Arm   |
| 156   | 730636      | 2   | Rocker Arm Bearing   |
| 157   | 730636      | 2   | Set Screw, 5/16-24 x 1/4"  |
| 158   | 36340       | 2   | Push Rod   |
| 159   | 35952       | 1   | * Rocker Arm Cover Gasket  |
| 160   | 35953A      | 1   | Rocker Arm Housing   |
| 161   | 30063       | 4   | Screw, Torx T-30, 1/4-20 x 1/2"  |
| 169   | 36304       | 1   | * Breather Gasket  |
| 172   | 36305       | 1   | Valve Cover  |
| 173   | 36306       | 1   | Breather Tube  |
| 174   | 30063       | 4   | Screw, Torx T-30, 1/4-20 x 1/2"  |
| 265   | 36615       | 1   | Cylinder Head Cover  |
| 270A  | 35829A      | 1   | Exhaust Port Liner   |
| 305   | 36349       | 1   | Oil Fill Tube  |
| 306   | 36348       | 1   | * "O" Ring   |
| 307   | 35499       | 1   | "O" Ring   |
| 309   | 650974      | 1   | Screw, 1/4-20 x 57/64"   |
| 310   | 36366       | 1   | Dipstick   |
| 314   | 651007      | 2   | Screw, Torx T-15, 10-24 x 15/16"   |
| 315   | 611181      | 1   | Alternator Coil (3/5 Split) (Incl.321 - 323)   |
| 321   | 611161      | 1   | Diode  |
| 322   | 611142      | 1   | Connector Body   |
| 323   | 611118      | 1   | Terminal   |
| 325   | 36342       | 1   | Wire Clip  |
| 325B  | 37230       | 1   | Wire Clip  |
| 361   | 650969      | 2   | Screw, 5/16-18 x 29/32"  |
| 381   | 650767      | 1   | Screw, 8-32 x 27/64"   |
| 382   | 36328       | 1   | Oil Strainer Screen  |
| 385   | 570673      | 1   | Ball   |
| 386   | 36329       | 1   | Pressure Relief Spring   |
| 387   | 36330       | 1   | Roll Pin   |
| 394A  | 650982      | 1   | Washer   |
| 395   | 36795       | 1   | Electric Starter Motor (12 Volt)   |
| 400   | 36567       | 1   | * Gasket Set (Incl. items marked PK i n notes) Incl. part #'s<br>35952 (1), 36304 (1), (1), 36333 (1), 36335 (1), 36337 (1),<br>36348 (1), 36351 (1), 36352 (1), 36358 (1), 36365 (1), 36490<br>(1), 36565 (1) |
| 420   | 730225      | 1   | SAE 30 4-Cycle Engine Oil (Quart)  |
| 475   | 36961       | 1   | Oil Filter   |
| 476   | 36374B      | 1   | Oil Filter Adapter   |
| 477   | 650978      | 2   | Screw, Torx T-30, 5/16-18 x 7/8"   |
| 479   | 36335       | 1   | * Oil Passage Gasket   |



| Ref # | Part Number | Qty | Description                          |
|-------|-------------|-----|--------------------------------------|
|       | 14 28277    | 2   | Washer                               |
|       | 16 36346A   | 1   | Governor Lever                       |
|       | 17 29916    | 1   | Governor Lever Clamp                 |
|       | 18 651028   | 1   | Screw, Torx T-15, 8-32 x 3/8"        |
|       | 19 36414    | 1   | Extension Spring                     |
|       | 28 30322    | 1   | Lock Nut, 8-32                       |
|       | 35 29826    | 1   | Screw, 10-32 x 3/4"                  |
|       | 36 29918    | 1   | Lock Washer                          |
|       | 37 29216    | 1   | Lock Nut, 10-32                      |
|       | 38 29642    | 1   | Retaining Ring                       |
|       | 60A 650781  | 1   | Screw, 5-16/18 x 11/16"              |
|       | 60B 650867  | 1   | Screw, 10-24 x 1/2"                  |
|       | 60C 650737  | 1   | Screw, 1/4-20 x 1/2"                 |
|       | 92 650666   | 1   | Lock Washer                          |
|       | 93 650594   | 1   | Flywheel Nut                         |
|       | 110A 36917  | 1   | Fuel Solenoid Ground Wire            |
|       | 178 650928  | 2   | Wing Nut, 1/4-20                     |
|       | 182 650925A | 2   | Carburetor Mounting Stud             |
|       | 184 36352   | 1   | * Carburetor To Intake Pipe Gasket   |
|       | 185 36852   | 1   | Intake Pipe                          |
|       | 186 36354   | 1   | Governor Link                        |
|       | 200 36233   | 1   | Control Bracket (Incl. 203,204,212A) |
|       | 203 33802   | 1   | Compression Spring                   |
|       | 204 650777  | 1   | Screw, 6-32 x 21/32"                 |
|       | 209 650902  | 2   | Screw, 10-32 x 7/16"                 |
|       | 210 27793   | 2   | Conduit Clip                         |
|       | 211 28942   | 2   | Screw, 10-32 x 3/8"                  |
|       | 212A 36288  | 3   | Bushing                              |
|       | 223 650975  | 2   | Screw, Torx T-30, 5/16-18 x 1-9/32"  |
|       | 224 36490   | 1   | * Intake Pipe Gasket                 |
|       | 228 650977  | 2   | Air Cleaner Stud                     |
|       | 234 650825  | 2   | Nut & Lock Washer, 1/4-20            |
|       | 239 36358   | 1   | * Air Cleaner Gasket                 |
|       | 240 36355   | 1   | Air Cleaner Body (Incl. 228 & 239)   |
|       | 245 36356   | 1   | Air Cleaner Filter (Incl. 229)       |
|       | 245A 36357  | 1   | Air Cleaner Filter                   |
|       | 250 36359   | 1   | Air Cleaner Cover                    |
|       | 251 650886  | 2   | Wing Nut, 1/4-20                     |
|       | 252 650976  | 1   | Screw, 1/4-20 x 19/32"               |
|       | 260 36347   | 1   | Blower Housing                       |
|       | 262 650737  | 3   | Screw, 1/4-20 x 1/2"                 |
|       | 263 36367   | 1   | Trim Ring                            |
|       | 286 36343   | 1   | Cup & Screen                         |
|       | 290 30705   | 1   | Fuel Line                            |
|       | 292 26460   | 2   | Fuel Line Clamp                      |
|       | 296 34279B  | 1   | Fuel Filter (Incl. 292)              |
|       | 326 36210   | 1   | Screen Plug                          |
|       | 347 650949  | 3   | Screw, 10-32 x 9/16"                 |
|       | 348 36383   | 1   | Remote Choke Bracket                 |
|       | 370G 35274  | 1   | Oil Instruction Decal                |
|       | 370A 36261  | 1   | Identification Decal                 |
|       | 380 640072  | 1   | Carburetor (Incl. 184 & 212A)        |
|       | 394A 650982 | 1   | Washer                               |
|       | 406A 36918  | 1   | Solenoid Spring                      |
|       | 406 611221  | 1   | Fuel Shut-Off Solenoid               |