

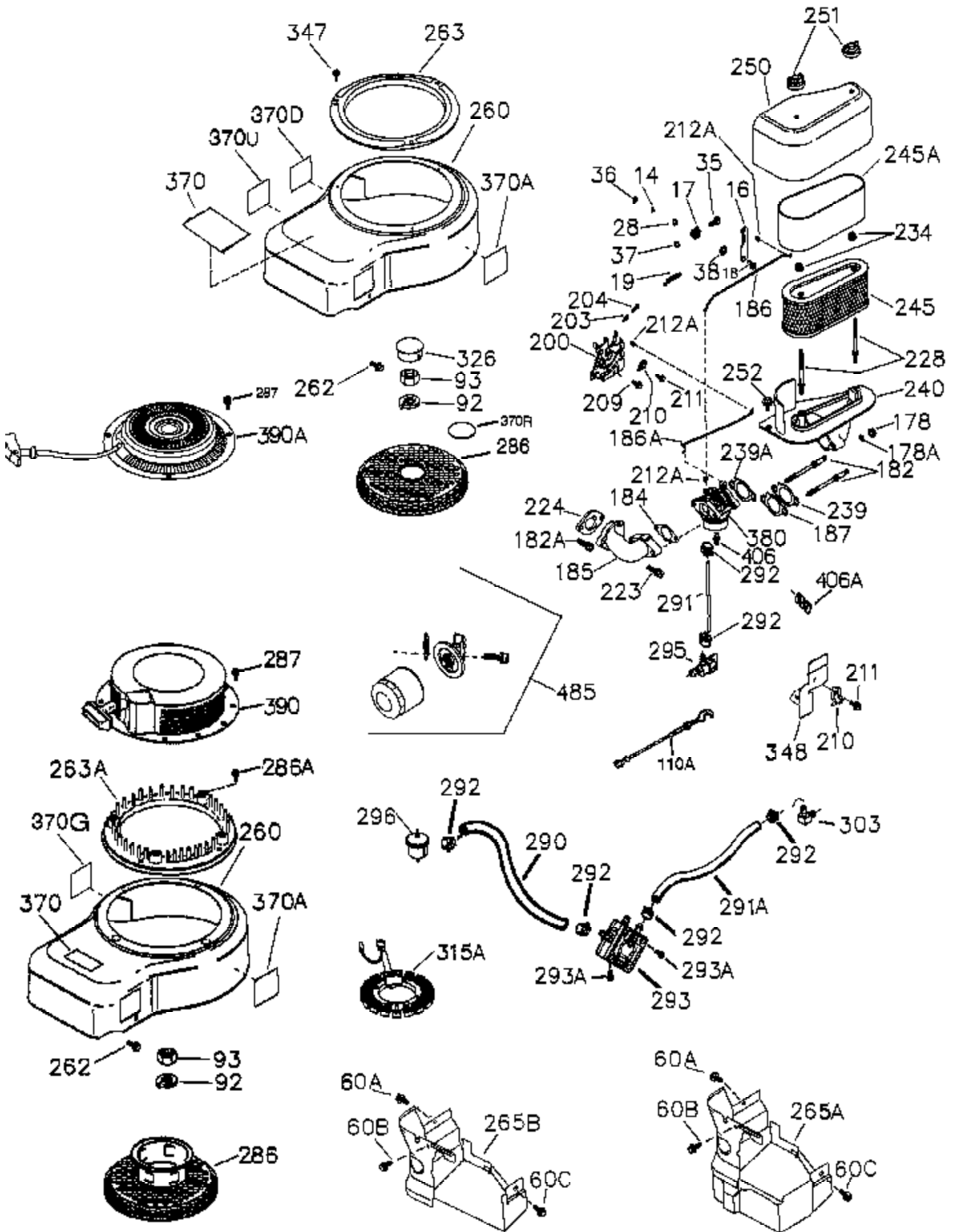
Engine Parts List #1

Ref #	Part Number	Qty	Description
	1 37525	1	Cylinder (Incl. 2,11B,20,72B & 314)
	2 27652	2	Dowel Pin
	11 36302	1	Check Valve
	11A 36303	1	Breather Plate
	11B 650902	1	Screw, 10-32 x 7/16"
	15 36307	1	Governor Rod
	20 36301	1	Oil Seal
	30 36308	1	Crankshaft
	31 36324	1	Counterbalance Gear
	38 29642	1	Retaining Ring
	40 36312	1	Piston, Pin & Ring Set (Std.)
	40 36313	1	Piston, Pin & Ring Set (.010" OS)
	40 36314	1	Piston, Pin & Ring Set (.020" OS)
	41 36309	1	Piston & Pin Ass'y. (Std.) (Incl. 43)
	41 36310	1	Piston & Pin Ass'y. (.010" OS) (Incl. 43)
	41 36311	1	Piston & Pin Ass'y. (.020" OS) (Incl. 43)
	42 36315	1	Ring Set (Std.)
	42 36316	1	Ring Set (.010" OS)
	42 36317	1	Ring Set (.020" OS)
	43 35772	2	Piston Pin Retaining Ring
	45 36318A	1	Connecting Rod Ass'y. (Incl. 46)
	45 36319A	1	Connecting Rod Ass'y. (.010" US) (Incl. 46)
	45 36320A	1	Connecting Rod Ass'y. (.020" US) (Incl. 46)
	46 650908	2	Connecting Rod Bolts
	48 36321	2	Valve Lifter
	50A 730656		Camshaft Repair Kit
	50 36533A	1	Camshaft (MCR)
	51 36323	1	Counterbalance Weight
	52D 650888	3	Screw, T-30, 1/4-20 x 43/64"
	52C 36334	1	Oil Pump Cover (Incl. 52B)
	52B 36333	1	* "O" Ring
	52 36332	1	Oil Pump Ass'y.
	52A 36331	1	Oil Pump Shaft
	60 36361	1	Air Baffle
	60B 650867	1	Screw, 10-24 x 1/2"
	60A 650781	1	Screw, 5/16-18 x 11/16"
	66 30063	1	Screw, T-30, 1/4-20 x 1/2"
	69 36565	1	* Mounting Flange Gasket
	70 37523	1	Mounting Flange (Incl. 52,72,72A,72B, 75,80,381-387)
	72A 28483	2	Oil Drain Plug
	72B 28534	2	Pipe Plug
	75 36301	1	Oil Seal
	80 35712	1	Governor Shaft
	81 35479	2	Washer
	82 36327	1	Governor Gear Ass'y.
	83 35322	1	Governor Spool
	84 29193	1	Retaining Ring
	86 650970	9	Screw, 1/4-20 x 1-15/32"
	89 650592	1	Flywheel Key
	90 611249	1	Flywheel
	100 36344A	1	Solid State Ignition (Incl. 101)
	101 610118	1	Spark Plug Cover
	102 651024	2	Solid State Mounting Stud
	103 651007	2	Screw, T-15, 10-24 x 15/16"
	110 36345	1	Ground Wire
	119 36337	1	* Cylinder Head Gasket
	120 37495	1	Cylinder Head (Incl. 119,151A & 270A)
	125 35308	1	Exhaust Valve (Std.)

Engine Parts List #1

Ref #	Part Number	Qty	Description
	125 35433	1	Exhaust Valve (1/32" OS)
	126 35309	1	Intake Valve (Std.)
	126 35432	1	Intake Valve (1/32" OS)
	127 650691	6	Washer
	128 650690	6	Belleville Washer
	130 650946	6	Screw, 5/16-18 x 2-45/64"
	135 34645	1	Spark Plug (RN4C)
	150 33507	2	Valve Spring
	151 33508	2	Valve Spring Keeper
151A	40046	1	Intake Valve Seal
153	36339	1	Push Rod Guide
154	650972	2	Rocker Arm Stud
155	35950	2	Rocker Arm
156	730636	2	Rocker Arm Bearing
157	730636	2	Set Screw, 5/16-24 x 1/4"
158	36340	2	Push Rod
159	35952	1	* Rocker Arm Cover Gasket
160	35953A	1	Rocker Arm Cover
161	30063	4	Screw, T-30, 1/4-20 x 1/2"
169	36304	1	* Breather Gasket
172	36305	1	Valve Cover
173	36306	1	Breather Tube
174	30063	4	Screw, T-30, 1/4-20 x 1/2"
229	650825	2	Nut & Lock Washer, 1/4-20
262A	650802	2	Screw, 1/4-20 x 5/8"
265	36704	1	Cylinder Head Cover
269	36365	1	* Exhaust Manifold Gasket
270A	35829A	1	Exhaust Port Liner
270	36364	1	Exhaust Manifold
271	36363	1	Locking Plate
271A	36371	1	Muffler Clamp
275	36372	1	Muffler
277	650876	2	Screw, 5/16-18 x 1-1/4"
305	36349	1	Oil Fill Tube
306	36348	1	"O" Ring
307	35499	1	"O" Ring
309	650974	1	Screw, 1/4-20 x 57/64"
310	36366	1	Dipstick
314	651007	2	Screw, T-15, 10-24 x 15/16"
315	611181	1	Alternator Coil (3/5 Split) (Incl.321 - 323)
321	611161	1	Diode
322	611142	1	Connector Body
323	611118	1	Terminal
325B	37230	1	Wire Clip
325	36342	1	Wire Clip
325A	27275	1	Wire Clip
361	650969	2	Screw, 5/16-18 x 29/32"
381	650767	1	Screw, 8-32 x 27/64"
382	36328	1	Oil Strainer Screen
385	570673	1	Ball
386	36329	1	Pressure Relief Spring
387	37652	1	Cotter Pin
395	36795	1	Electric Starter Motor (12 Volt)
400	36567	1	* Gasket Set (Incl. items marked PK i n notes)
420	730225A	1	SAE 30 4-Cycle Engine Oil (Quart)
475	36563	1	Oil Filter
476	36374B	1	Oil Filter Adapter (Incl. 477 - 479)
477	650978	2	Screw, T-30, 5/16-18 x 1-7/16"

Ref #	Part Number	Qty	Description
479	36335	1	* Oil Filter Adapter Gasket



Engine Parts List #2

Ref #	Part Number	Qty	Description
14	28277	2	Washer
16	36346A	1	Governor Lever
17	29916	1	Governor Lever Clamp
18	651028	1	Screw, T-15, 8-32 x 7/16"
19	36414	1	Extension Spring
28	30322	1	Lock Nut, 8-32
35	29826	1	Screw, 10-32 x 3/4"
36	29918	1	Lock Washer
37	29216	1	Lock Nut, 10-32
38	29642	1	Retaining Ring
60A	650781	1	Screw, 5/16-18 x 11/16"
60C	650737	1	Screw, 1/4-20 x 1/2"
60B	650867	1	Screw, 10-24 x 1/2"
92	650666	1	Lock Washer
93	650594	1	Flywheel Nut
178	650928	2	Lock Nut, 1/4-20
182	650925A	2	Carburetor Mounting Stud
184	36352	1	* Carburetor To Intake Pipe Gasket
185	36852	1	Intake Pipe
186	36354	1	Governor Link
186A	36353	1	Choke Link
200	36360	1	Control Bracket (Incl. 203,204,212A)
203	33802	1	Compression Spring
204	651019	1	Screw, T-10, 6-32 x 41/64"
209	650902	2	Screw, 10-32 x 7/16"
210	27793	1	Conduit Clip
211	28942	1	Screw, 10-32 x 3/8"
212A	36288	2	Bushing
223	650975	2	Screw, T-30, 5/16-18 x 1-9/32"
224	36490	1	* Intake Pipe Gasket
228	650977	2	Air Cleaner Stud
229	650825	2	Nut & Lock Washer, 1/4-20
239	36358	1	* Air Cleaner Gasket
240	36355	1	Air Cleaner Body (Incl. 228 & 239)
245	36356	1	Air Cleaner Filter (Incl. 229)
245A	36357	1	Air Cleaner Filter
250	36359	1	Air Cleaner Cover
251	650886	2	Wing Nut, 1/4-20
252	650976	1	Screw, 1/4-20 x 19/32"
260	37174	1	Blower Housing
263	36367	1	Trim Ring
286A	650561	3	Screw, 1/4-20 x 19/32"
286	37173	1	Cup & Screen
291	30705	1	Fuel Line
292	26460	2	Fuel Line Clamp
296	34279B	1	Fuel Filter (Incl. 292)
370G	35274	1	Oil Instruction Decal
380	640034	1	Carburetor (Incl. 184 & 212A)
390	590751	1	Rewind Starter