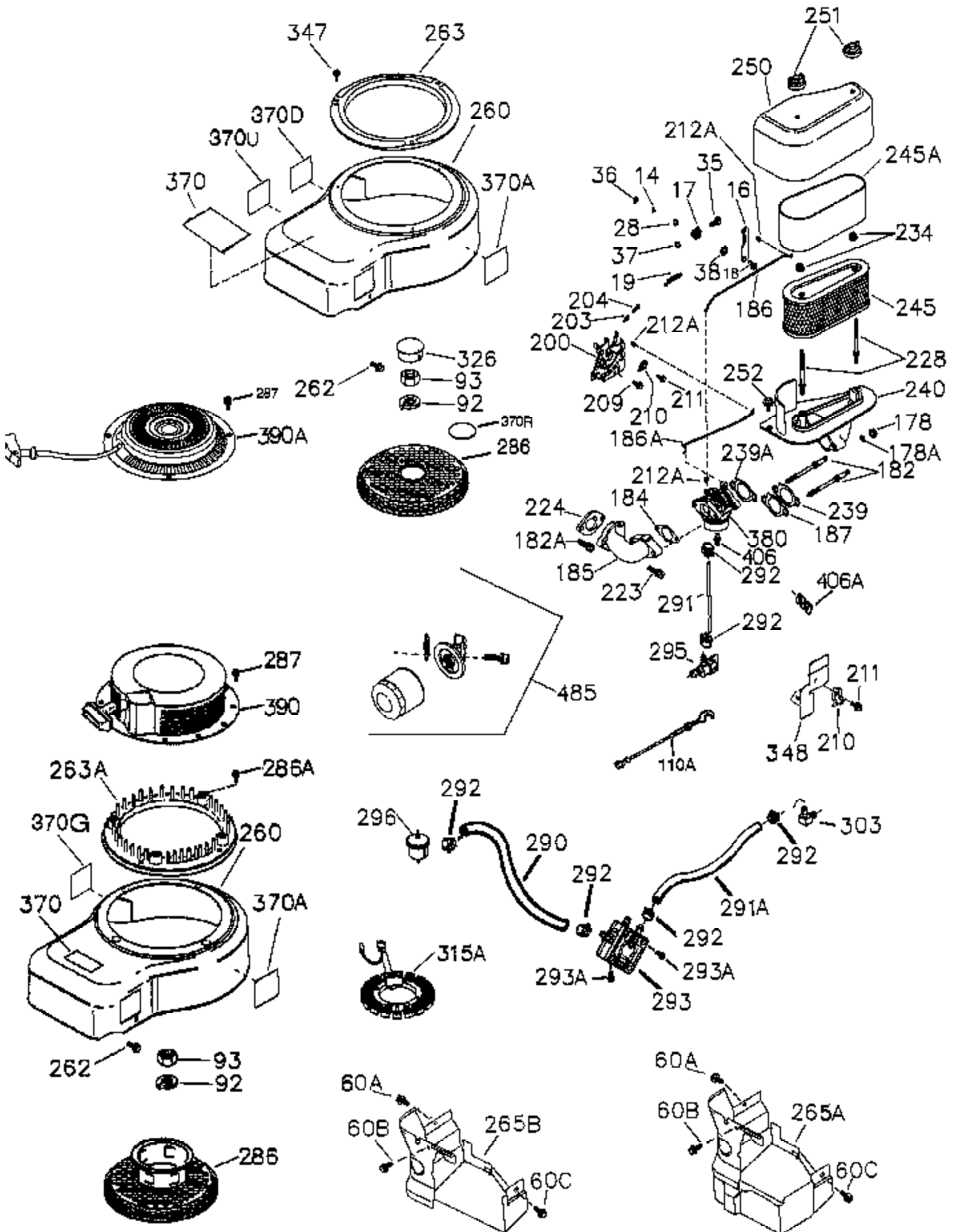


Engine Parts List #1

Ref #	Part Number	Qty	Description
	1 36300A	1	Cylinder (Incl. 2, 20, 72A & 314)
	2 27652	2	Dowel Pin
	11A 36303	1	Breather Plate
	11 36302	1	Check Valve
	11B 650902	1	Screw, 10-32 x 7/16"
	15 36307	1	Governor Rod
	20 36301	1	Oil Seal
	30 36308	1	Crankshaft
	31 36324	1	Counterbalance Gear
	38 29642	1	Retaining Ring
	40 36312	1	Piston, Pin & Ring Set (Std.)
	40 36313	1	Piston, Pin & Ring Set (.010" OS)
	40 36314	1	Piston, Pin & Ring Set (.020" OS)
	41 36309	1	Piston & Pin Ass'y. (Std.) (Incl. 43)
	41 36310	1	Piston & Pin Ass'y. (.010" OS) (Incl. 43)
	41 36311	1	Piston & Pin Ass'y. (.020" OS) (Incl. 43)
	42 36315	1	Ring Set (Std.)
	42 36316	1	Ring Set (.010" OS)
	42 36317	1	Ring Set (.020" OS)
	43 35772	2	Piston Pin Retaining Ring
	45 36318	1	Connecting Rod Ass'y. (Incl. 46)
	45 36319	1	Connecting Rod Ass'y. (.010" US) (Incl. 46)
	45 36320	1	Connecting Rod Ass'y. (.020" US) (Incl. 46)
	46 650908	2	Connecting Rod Bolt
	48 36321	2	Valve Lifter
	50A 730656		Camshaft Repair Kit
	50 36533A	1	Camshaft (MCR)
	51 36323	1	Counterbalance Weight
	52C 36334	1	Oil Pump Cover (Incl. 52B)
	52 36332	1	Oil Pump Ass'y.
	52B 36333	1	* "O" Ring
	52A 36331	1	Oil Pump Shaft
	52D 650888	3	Screw, Torx T-30, 1/4-20 x 43/64"
	60 36361	1	Air Baffle
	60A 650781	1	Screw, 5-16/18 x 11/16"
	60B 650867	1	Screw, 10-24 x 1/2"
	65 30063	1	Screw, Torx T-30, 1/4-20 x 1/2"
	69 36565	1	* Mounting Flange Gasket
	70 36566	1	Mounting Flange (Incl. 72,75,80,381 thru 387)
	72 28534	3	Oil Drain Plug
	72A 28483	2	Oil Drain Plug
	75 36301	1	Oil Seal
	80 35712	1	Governor Shaft
	81 35479	2	Washer
	82 36327	1	Governor Gear Ass'y.
	83 35322	1	Governor Spool
	84 29193	1	Retaining Ring
	86 650970	9	Screw, 1/4-20 x 1-15/32"
	89 650592	1	Flywheel Key
	90 611186	1	Flywheel
	100 36344	1	Solid State Ignition (Incl. 101)
	101 610118	1	Spark Plug Cover
	102 651024	2	Solid State Mounting Stud
	103 651007	2	Screw, Torx T-15, 10-24 x 15/16"
	110 36345	1	Ground Wire
	111 611193	1	Low Oil Sensor
	119 36337	1	* Cylinder Head Gasket
	120 36488	1	Cylinder Head

Ref #	Part Number	Qty	Description
125	35308	1	Exhaust Valve (Std.)
125	35433	1	Exhaust Valve (1/32" OS)
126	35309	1	Intake Valve (Std.)
126	35432	1	Intake Valve (1/32" OS)
127	650691	6	Washer
128	650690	6	Belleville Washer
130	650946	6	Screw, 5/16-18 x 2-45/64"
135	34645	1	Resistor Spark Plug (RN4C)
150	33507	2	Valve Spring
151	33508	2	Valve Spring Keeper
153	36339	1	Push Rod Guide
154	650972	2	Rocker Arm Stud
155	35950	2	Rocker Arm
156	730636	2	Rocker Arm Bearing
157	730636	2	Set Screw, 5/16-24 x 1/4"
158	36340	2	Push Rod
159	35952	1	* Rocker Arm Cover Gasket
160	35953A	1	Rocker Arm Housing
161	30063	4	Screw, Torx T-30, 1/4-20 x 1/2"
169	36304	1	* Breather Gasket
172	36305	1	Valve Cover
173	36306	1	Breather Tube
174	30063	4	Screw, Torx T-30, 1/4-20 x 1/2"
262A	650802	1	Screw, 1/4-20 x 5/8"
265	36571	1	Cylinder Head Cover
269	36365	1	Exhaust Manifold Gasket
270A	35829A	1	Exhaust Port Liner
294	35791	1	Pulse Pump Repair Kit
305	36349	1	Oil Fill Tube
306	36348	1	* "O" Ring
307	35499	1	"O" Ring
309	650974	1	Screw, 1/4-20 x 57/64"
310	36366	1	Dipstick
314	651007	2	Screw, Torx T-15, 10-24 x 15/16"
315	611185	1	Alternator Coil (16 Amp) (Incl. 322 & 323)
320	611184	1	Regulator
322	611117	1	Connector Body
323	611118	1	Terminal
325	36342	1	Wire Clip
325A	27275	1	Wire Clip
346	36413	1	Fuel Pump Bracket
361	650969	2	Screw, 5/16-18 x 29/32"
381	650676	1	Screw, 8-32 x 27/64"
382	36328	1	Oil Strainer Screen
385	570673	1	Ball
386	36329	1	Pressure Relief Spring
387	36330	1	Roll Pin
394A	650982	1	Washer
395	36795	1	Electric Starter Motor (12 Volt)
400	36567	1	* Gasket Set (Incl. items marked PK i n notes) Incl. part #'s 35952 (1), 36304 (1), (1), 36333 (1), 36335 (1), 36337 (1), 36348 (1), 36351 (1), 36352 (1), 36358 (1), 36365 (1), 36490 (1), 36565 (1)
420	730225	1	SAE 30 4-Cycle Engine Oil (Quart)
475	36961	1	Oil Filter
476	36374B	1	Oil Filter Adapter (Incl. 477 & 479)
477	650978	2	Screw, Torx T-30, 5/16-18 x 1-7/16"

Ref #	Part Number	Qty	Description
479	36335	1	* Oil Passage Gasket



Engine Parts List #2

Ref #	Part Number	Qty	Description
	14 28277	2	Washer
	16 36346A	1	Governor Lever
	17 29916	1	Governor Lever Clamp
	18 651028	1	Screw, Torx T-15, 8-32 x 3/8"
	19 36414	1	Extension Spring
	28 30322	1	Lock Nut, 8-32
	35 29826	1	Screw, 10-32 x 3/4"
	36 29918	1	Lock Washer
	37 29216	1	Lock Nut, 10-32
	38 29642	1	Retaining Ring
	60B 650867	1	Screw, 10-24 x 1/2"
	60A 650781	1	Screw, 5-16/18 x 11/16"
	60C 650737	1	Screw, 1/4-20 x 1/2"
	92 650666	1	Lock Washer
	93 650594	1	Flywheel Nut
	110A 36917	1	Ground Wire
	178 650928	2	Lock Nut, 1/4-20
	182 650925A	2	Carburetor Mounting Stud
	184 36352	1	* Carburetor To Intake Pipe Gasket
	185 36852	1	Intake Pipe
	186A 36353	1	Choke Link
	186 36354	1	Governor Link
	200 36360	1	Control Bracket (Incl. 203,204,212A)
	203 33802	1	Compression Spring
	204 650777	1	Screw, 6-32 x 21/32"
	209 650902	2	Screw, 10-32 x 7/16"
	210 27793	1	Conduit Clip
	211 28942	1	Screw, 10-32 x 3/8"
	212A 36288	3	Bushing
	223 650975	2	Screw, Torx T-30, 5/16-18 x 1-9/32"
	224 36490	1	* Intake Pipe Gasket
	228 650977	2	Air Cleaner Stud
	234 650825	2	Nut & Lock Washer, 1/4-20
	239 36358	1	* Air Cleaner Gasket
	240 36355	1	Air Cleaner Body (Incl. 228 & 239)
	245 36356	1	Air Cleaner Filter (Incl. 229)
	245A 36357	1	Air Cleaner Filter
	250 36359	1	Air Cleaner Cover
	251 650886	2	Wing Nut, 1/4-20
	252 650976	1	Screw, 1/4-20 x 19/32"
	260 36347	1	Blower Housing
	262 650737	3	Screw, 1/4-20 x 1/2"
	263 36367	1	Trim Ring
	286 36343	1	Cup & Screen
	290 29774	1	Fuel Line
	291A 34357	1	Fuel Line
	291 30705	1	Fuel Line
	292 26460	6	Fuel Line Clamp
	293 35787	1	Pulse Pump (Incl. 294)
	293A 650931	2	Screw, 8-32 x 1-1/2"
	296 34279B	1	Fuel Filter (Incl. 292)
	303 32958	1	Fuel Fitting
	326 36210	1	Screen Plug
	347 650949	3	Screw, 10-32 x 9/16"
	370 36261	1	Identification Decal
	370G 35274	1	Instruction Decal
	380 640034	1	Carburetor (Incl. 184 & 212A)
	394A 650982	1	Washer

Ref #	Part Number	Qty	Description
406A	36918	1	Solenoid Spring
406	611221	1	Fuel Shut-Off Solenoid