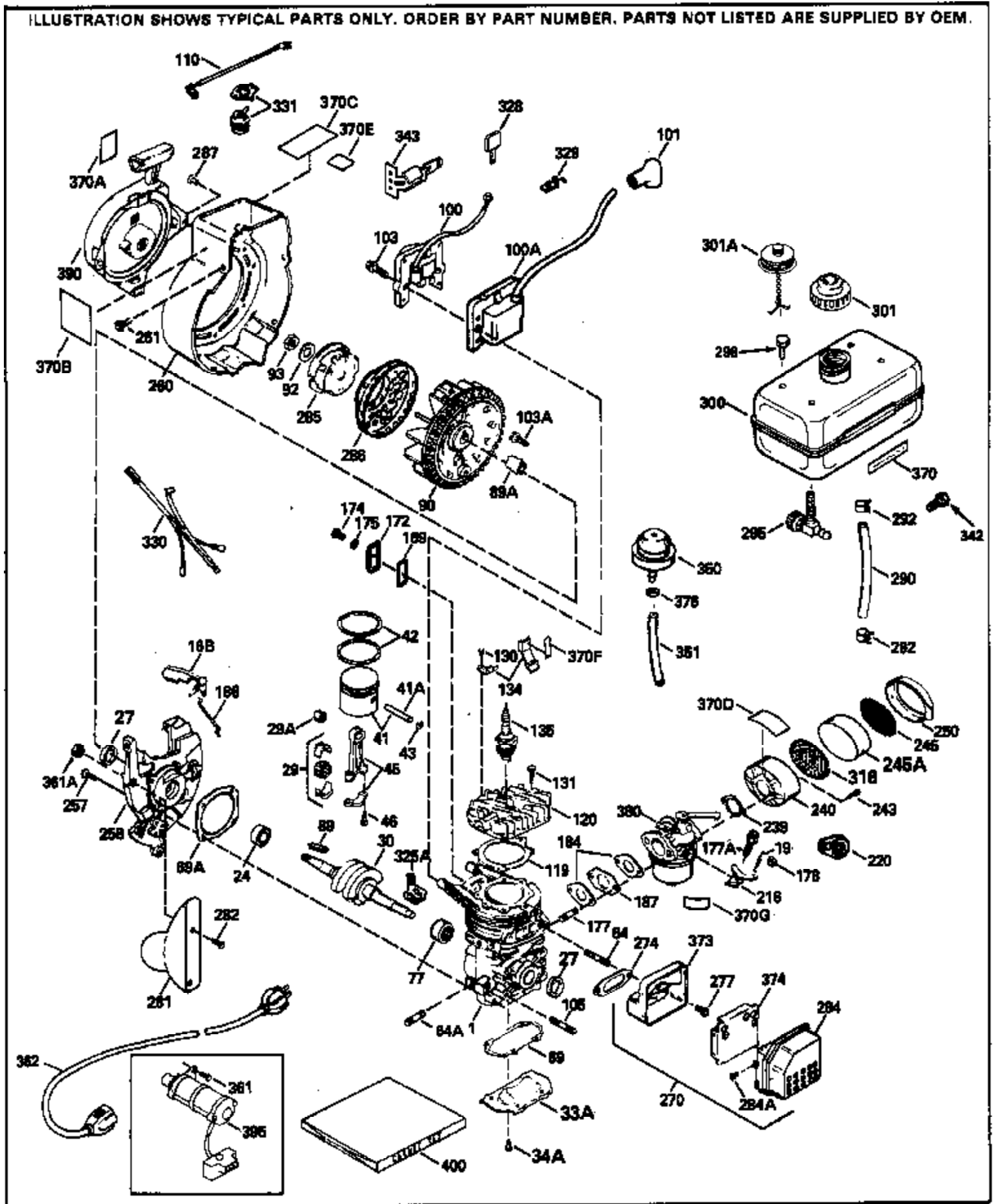


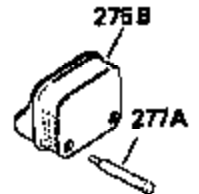
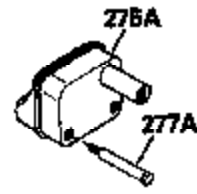
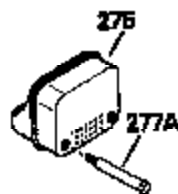
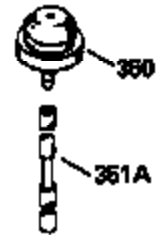
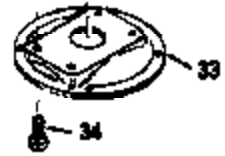
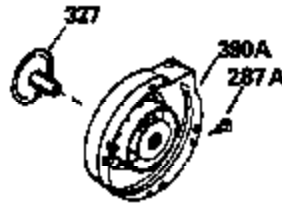
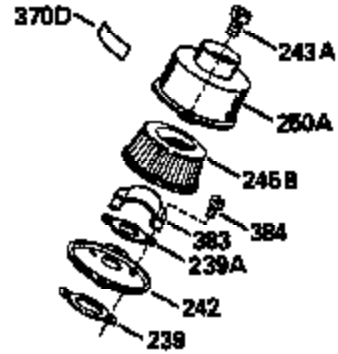
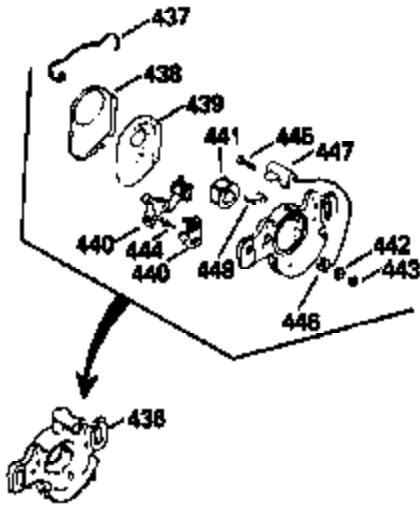
ILLUSTRATION SHOWS TYPICAL PARTS ONLY. ORDER BY PART NUMBER. PARTS NOT LISTED ARE SUPPLIED BY OEM.



| Ref # | Part Number | Qty | Description |
|-------|-------------|-----|-----------------------------------------------------------------------------------------------------------------------------------|
| | 1 | | Cylinder (Order s/b if replacement is req.) |
| 16B | 490291A | | Air Vane |
| 19 | 570646 | | Extension Spring |
| 24 | 530110 | | Ball Bearing |
| 27 | 510319 | | Oil Seal |
| 29 | 530150 | | Needle Bearing & Liner Set (37 needle s) |
| 29A | 530104A | | Cartridge Bearing |
| 30 | 290607 | | Crankshaft |
| 33A | 570644 | | Cover Plate |
| 34A | 650579 | | Screw, Torx T-25, 10-24 x 1/2" |
| 41 | 310283A | | Piston & Pin Assy. (Incl. 43) |
| 42 | 310190 | | Ring Set |
| 43 | 310167 | | Piston Pin Retaining Ring |
| 45 | 310235B | | Connecting Rod Assy. (Incl. 29, 29A & 46) |
| 46 | 650633 | | Connecting Rod Bolt |
| 69 | 510323A | | * Cover Plate Gasket |
| 69A | 510292A | | * Cylinder Cover Gasket |
| 77 | 530105 | | Cartridge Bearing |
| 89A | 611032 | | Adapter Sleeve |
| 90 | 611066 | | Flywheel |
| 92 | 650815 | | Belleville Washer |
| 93 | 650390 | | Flywheel Nut |
| 100A | 34443A | | Solid State Ignition (Incl. 101) |
| 101 | 610118 | | Spark Plug Cover |
| 103 | 650814 | | Screw, Torx T-15, 10-24 x 1" |
| 119 | 510274A | | * Cylinder Head Gasket |
| 120 | 250240B | | Cylinder Head |
| 131 | 650477 | | Screw, Torx T-30, 1/4-20 x 3/4" |
| 135 | 611049 | | Resistor Spark Plug (RCJ-8Y) |
| 169 | 510325A | | * Cover Gasket |
| 172 | 570647 | | Compression Release Cover |
| 174 | 650579 | | Screw, Torx T-25, 10-24 x 1/2" |
| 175 | 650838 | | Washer, No. 10 |
| 177A | 650959 | | Screw, 1/4-20 x 1" |
| 184 | 510326A | | * Carburetor Gasket |
| 186 | 490294 | | Governor Link |
| 187 | 570438A | | Spacer |
| 216 | 570645 | | R.P.M. Adjusting Lever |
| 257 | 650911 | | Screw, Torx T-30, 1/4-20 x 5/8" |
| 258 | 350422 | | Blower Housing Base (Incl. 27) |
| 260 | 350437 | | Blower Housing |
| 261 | 650737 | | Screw, 1/4-20 x 1/2" |
| 270 | 390263B | | Muffler Assy.(Incl.277,284,284A,373,3 74) NOTE: Muffler Assembly 390263B has been replaced by the new onepiece muffler, Ref. 275. |
| 274 | 510207A | | * Exhaust Gasket |
| 277 | 650911 | | Screw, Torx T-30, 1/4-20 x 5/8" |
| 284 | 390267 | | Muffler Cover NOTE: This muffler cover has been replaced by the new one piecemuffler, Ref. #s 275, 275A or 275B. |
| 284A | 650578 | | Screw, 8-18 x 3/8" |
| 285 | 590551 | | Starter Cup |
| 287 | | | Pop Rivet (3/16" dia.)(Purchase local ly) |
| 300 | 32660A | | Fuel Tank (Incl. 292) |
| 301 | 410240 | | Fuel Cap |
| 330 | 611164A | | Wire Harness |
| 350 | 570629A | | Primer Bulb |
| 351 | 32180C | | Primer Line |

| Ref # | Part Number | Qty | Description |
|-------|-------------|-----|----------------------------------------------------------------------------------------------------------|
| 373 | 390292A | | Muffler Base |
| 374 | 390272 | | Muffler Baffle |
| 380 | 632560 | | Carburetor (Incl. 184) (Refer to Division 5, Section A, page A1-46 or Fiche 27A, Grid G-1 for breakdown) |
| 400 | 510324B | | * Gasket Set (Incl. items marked *) |

ILLUSTRATION SHOWS TYPICAL PARTS ONLY. ORDER BY PART NUMBER. PARTS NOT LISTED ARE SUPPLIED BY OEM.



| Ref # | Part Number | Qty | Description |
|-------|-------------|-----|--------------------------------------------------------------------------------------------------|
| 287A | 650926 | | Screw, 8-32 x 21/64" |
| 325 | 29443 | | Wire Clip |
| 350 | 570629A | | Primer Bulb |
| 390A | 590652 | | Rewind Starter (Refer to Division 5, Section C, page 34 or Fiche 27A, Grid G-10for breakdown) |
| 422 | 730227A | | 2-Cycle Oil (8 oz.) |