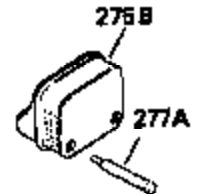
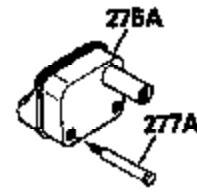
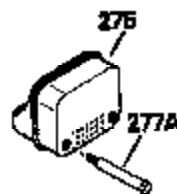
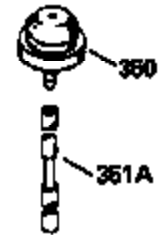
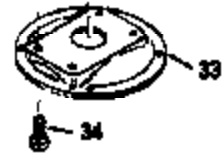
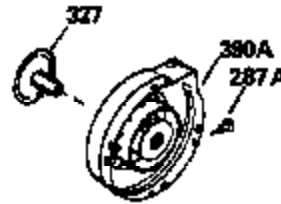
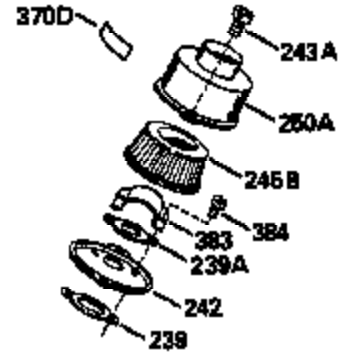
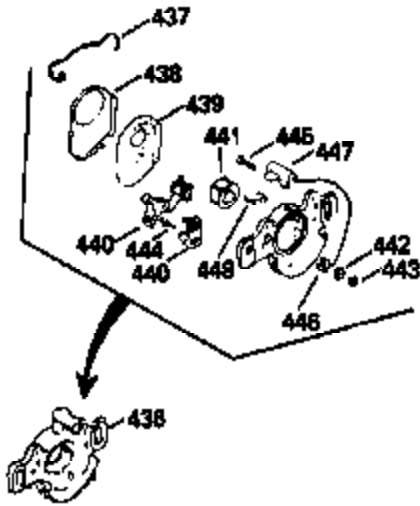




| Ref # | Part Number | Qty | Description   |
|-------|-------------|-----|---|
|       | 1           |     | Cylinder (Order s/b if replacement is req.)   |
| 16B   | 490291A     |     | Air Vane  |
| 19    | 570646      |     | Extension Spring  |
| 24    | 530110      |     | Ball Bearing  |
| 27    | 510319      |     | Oil Seal  |
| 29    | 530150      |     | Needle Bearing & Liner Set (37 needle s)  |
| 29A   | 530104A     |     | Cartridge Bearing   |
| 30    | 290607      |     | Crankshaft  |
| 33A   | 570644      |     | Cover Plate   |
| 34A   | 650579      |     | Screw, Torx T-25, 10-24 x 1/2"  |
| 41    | 310283A     |     | Piston & Pin Assy. (Incl. 43)   |
| 42    | 310190      |     | Ring Set  |
| 43    | 310167      |     | Piston Pin Retaining Ring   |
| 45    | 310235B     |     | Connecting Rod Assy. (Incl. 29, 29A & 46)   |
| 46    | 650633      |     | Connecting Rod Bolt   |
| 69    | 510323A     |     | * Cover Plate Gasket  |
| 69A   | 510292A     |     | * Cylinder Cover Gasket   |
| 77    | 530105      |     | Cartridge Bearing   |
| 89A   | 611032      |     | Adapter Sleeve  |
| 90    | 611066      |     | Flywheel  |
| 92    | 650815      |     | Belleville Washer   |
| 93    | 650390      |     | Flywheel Nut  |
| 100A  | 34443A      |     | Solid State Ignition (Incl. 101)  |
| 101   | 610118      |     | Spark Plug Cover  |
| 103   | 650814      |     | Screw, Torx T-15, 10-24 x 1"  |
| 110   | 611129      |     | Ground Wire   |
| 119   | 510274A     |     | * Cylinder Head Gasket  |
| 120   | 250240B     |     | Cylinder Head   |
| 131   | 650477      |     | Screw, Torx T-30, 1/4-20 x 3/4"   |
| 135   | 611049      |     | Resistor Spark Plug (RCJ-8Y)  |
| 169   | 510325A     |     | * Cover Gasket  |
| 172   | 570647      |     | Compression Release Cover   |
| 174   | 650579      |     | Screw, Torx T-25, 10-24 x 1/2"  |
| 175   | 650838      |     | Washer, No. 10  |
| 177A  | 650959      |     | Screw, 1/4-20 x 1"  |
| 184   | 510326A     |     | * Carburetor Gasket   |
| 186   | 490294      |     | Governor Link   |
| 187   | 570438A     |     | Spacer  |
| 216   | 570645      |     | R.P.M. Adjusting Lever  |
| 257   | 650911      |     | Screw, Torx T-30, 1/4-20 x 5/8"   |
| 258   | 350422      |     | Blower Housing Base (Incl. 27)  |
| 260   | 350424      |     | Blower Housing  |
| 261   | 650737      |     | Screw, 1/4-20 x 1/2"  |
| 270   | 390263B     |     | Muffler Assy.(Incl.277,284,284A,373,3 74) NOTE: Muffler Assembly 390263B has been replaced by the new onepiece muffler, Ref. 275. |
| 274   | 510207A     |     | * Exhaust Gasket  |
| 277   | 650911      |     | Screw, Torx T-30, 1/4-20 x 5/8"   |
| 284   | 390267      |     | Muffler Cover NOTE: This muffler cover has been replaced by the new one piecemuffler, Ref. #s 275, 275A or 275B.                  |
| 284A  | 650578      |     | Screw, 8-18 x 3/8"  |
| 285   | 590551      |     | Starter Cup   |
| 287   |             |     | Pop Rivet (3/16" dia.)(Purchase local ly)   |
| 373   | 390292A     |     | Muffler Base  |
| 374   | 390272      |     | Muffler Baffle  |

| Ref # | Part Number | Qty | Description  |
|-------|-------------|-----|--|
| 380   | 632396      |     | Carburetor (Incl. 184) (Refer to Division 5, Section A, page A1-38 or Fiche 27A, Grid F-3 for breakdown) |
| 390   | 590537      |     | Rewind Starter (Refer to Division 5, Section C, page 25 or Fiche 27A, Grid G-9 for breakdown)            |
| 400   | 510324B     |     | * Gasket Set (Incl. items marked *)  |

ILLUSTRATION SHOWS TYPICAL PARTS ONLY. ORDER BY PART NUMBER. PARTS NOT LISTED ARE SUPPLIED BY OEM.



| Ref # | Part Number | Qty | Description         |
|-------|-------------|-----|---------------------|
| 325   | 29443       |     | Wire Clip           |
| 422   | 730227A     |     | 2-Cycle Oil (8 oz.) |