



## Engine Parts List #1

Ref #	Part Number	Qty	Description
	1 35385	1	Cylinder (Incl. 2 & 20)
	2 27652	2	Dowel Pin
	5 30969	1	Extension Cap
15A	30700	1	Governor Yoke
15	30699C	1	Governor Rod (Incl. 15A & 15B)
15B	650494	1	Screw, 6-40 x 5/16"
	16 33454	1	Governor Lever
	17 29916	1	Governor Lever Clamp
	18 651028	1	Screw, Torx T-15, 8-32 x 3/8"
	19 34663	1	Speed Control Spring
	20 35319	1	Oil Seal
	25 36460	1	Blower Housing Baffle
	26 650561	2	Screw, 1/4-20 x 5/8"
	28 30322	1	Lock Nut, 8-32
	30 35372A	1	Crankshaft
	35 29826	1	Screw, 10-32 x 3/4"
	37 29216	1	Lock Nut, 10-32
	38 29642	1	Retaining Ring
	40 40011	1	Piston, Pin & Ring Set (Std.)
	40 40012	1	Piston, Pin & Ring Set (.010" OS)
	41 40009	1	Piston & Pin Ass'y. (Std.) (Incl. 43)
	41 40010	1	Piston & Pin Ass'y. (.010" OS) (Incl. 43)
	42 40013	1	Ring Set (Std.)
	42 40014	1	Ring Set (.010" OS)
	43 27888	2	Piston Pin Retaining Ring
	45 36897	1	Connecting Rod Ass'y. (Incl. 47 & 49)
	47 651033	2	Connecting Rod Bolt
	48 34034	2	Valve Lifter
	49 36896	1	Oil Dipper
	50 35375	1	Camshaft (MCR)
	60 33273A	1	Blower Housing Extension
	65 650128	1	Screw, 10-24 x 1/2"
	69 35262A	1	* Cylinder Cover Gasket
	70 35376	1	Cylinder Cover (Incl. 71, 75 & 80)
	71 35377	1	Crankshaft Bushing
	72 28582	1	Oil Drain Plug
	80 31845	1	Governor Shaft
	81 30590A	1	Washer
	82 35378	1	Governor Gear Ass'y. (Incl. 81)
	83 30588A	1	Governor Spool
	84 29193	1	Retaining Ring
	86 650833	7	Screw, 1/4-20 x 1-3/16"
	87 650832	1	Screw, 1/4-20 x 1-11/16"
	89 32589	1	Flywheel Key
	90 611090	1	Flywheel
	92 650880	1	Lock Washer
	93 650881	1	Flywheel Nut
100	35135	1	Solid State Ignition
101	610118	1	Spark Plug Cover
102	651024	2	Sold State Mounting Stud
103	651007	2	Screw, Torx T-15, 10-24 X 15/16"
110	35187	1	Ground Wire
119	36448	1	* Cylinder Head Gasket
120	36449	1	Cylinder Head
125	27878A	1	Exhaust Valve (Std.) (Incl. 151)
125	27880A	1	Exhaust Valve (1/32" OS) (Incl. 151)
126	34035	1	Intake Valve (Std.) (Incl. 151)
126	34036	1	Intake Valve (1/32" OS) (Incl. 151)

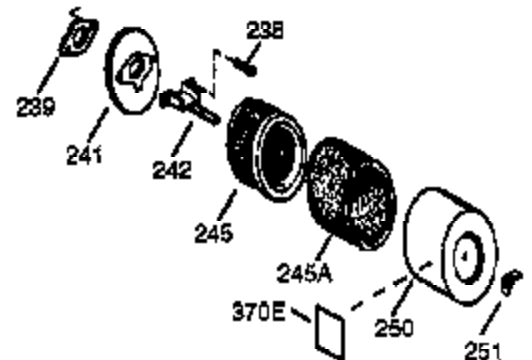
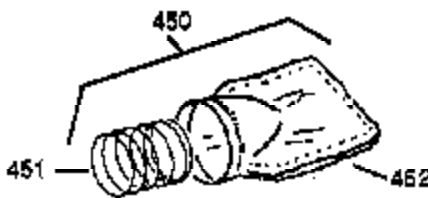
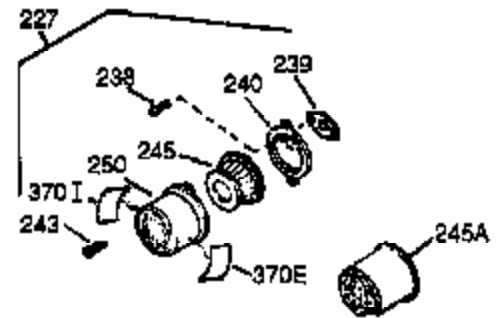
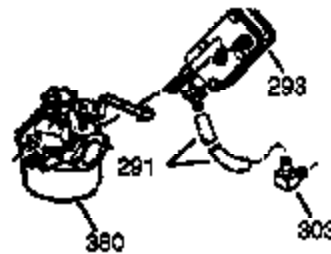
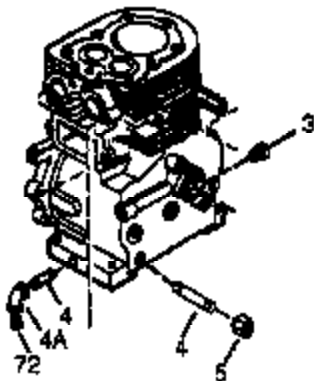
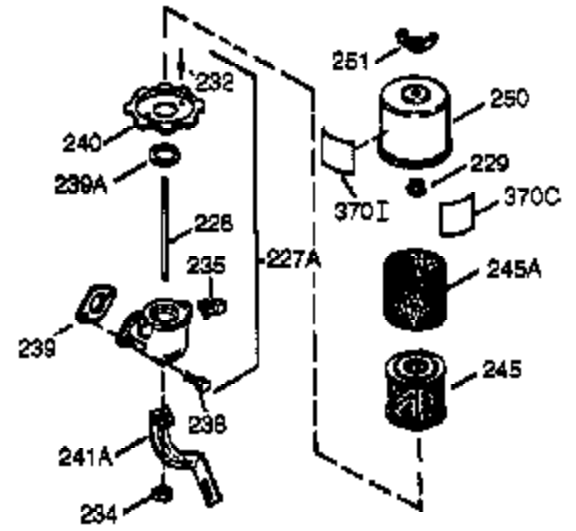
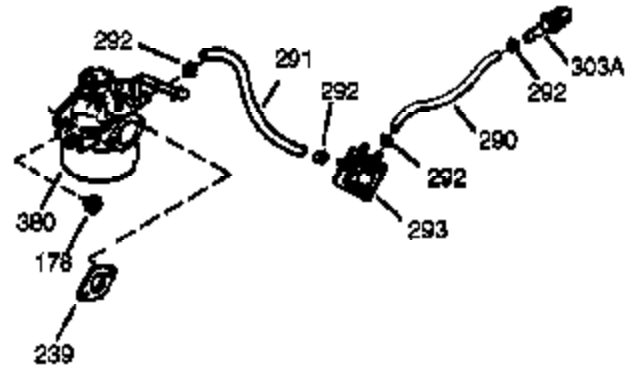
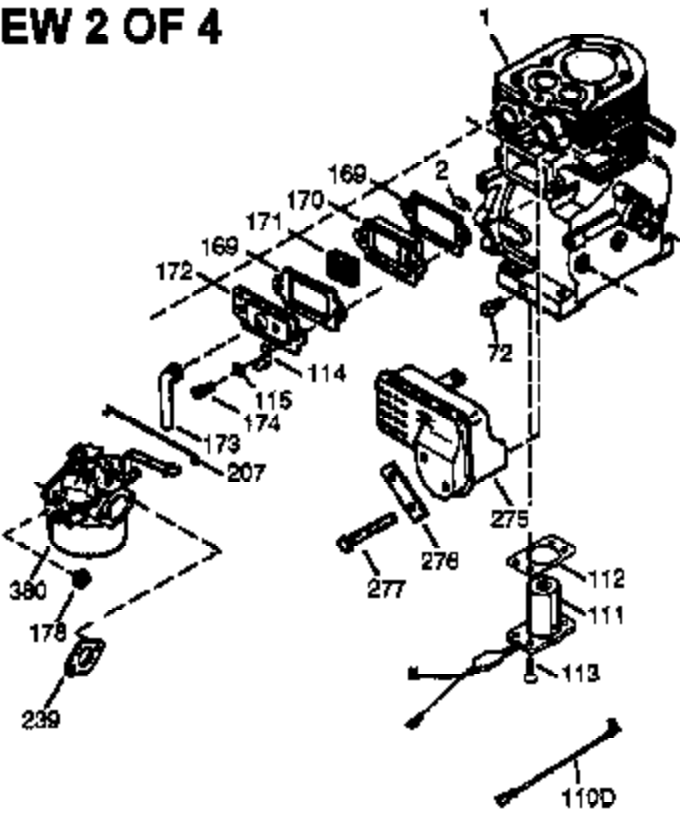
## Engine Parts List #1

Ref #	Part Number	Qty	Description
127	650691	9	Washer
128	650690	9	Belleville Washer
130A	650273	2	Screw, 5/16-18 x 5/8"
130B	651031	1	Screw, 1/4-20 x 9/16"
130	650694A	9	Screw, 5/16-18 x 2"
135	33636	1	Resistor Spark Plug (RJ17LM)
139	33369	1	Governor Gear Bracket
140	650836	2	Screw, 10-24 x 1/2"
149	27882	1	Valve Spring Cap
149A	35862	1	Valve Spring Cap
150	27881	2	Valve Spring
151	32581	2	Valve Spring Keeper
169	27896A	2	* Valve Cover Gasket
170	28423	1	Breather Body
171	28424	1	Breather Element
172	28425	1	Valve Cover
173	36675A	1	Breather Tube
173A	32446	1	Breather Tube Grommet
174	650128	2	Screw, 10-24 x 1/2"
178	29752	2	Nut & Lock Washer, 1/4-28
182	30088A	2	Screw, 1/4-28 x 1"
184	33263	1	* Carburetor To Intake Pipe Gasket
185	34707	1	Intake Pipe
186	34667	1	Governor Link
200	34677	1	Control Bracket (Incl. 203 & 204)
203	31342	1	Compression Spring
204	651029	1	Screw, Torx T-10, 5-40 x 7/16"
206	610973	1	Terminal
207	33878	1	Throttle Link
209	650821	2	Screw, 10-32 x 1/2"
215	35882	1	Control Knob
223	650378	2	Screw, Torx T-30, 5/16-18 x 1-1/8"
224	27915A	1	* Intake Pipe Gasket
260	36250	1	Blower Housing
261	650788	2	Screw, 5/16-18 x 3/4"
262	29747B	2	Screw, Torx T-40, 5/16-24 x 21/32"
265	33272B	1	Cylinder Head Cover
275	34185B	1	Muffler
276	31588	1	Locking Plate
277A	651036	1	Screw, 5/16-18 x 3-31/32"
277	650729	1	Screw, 5/16-18 x 3-3/16"
278	36908	1	Spacer
280	36799A	1	Heat Shield
281	33013	1	Starter Bubble Cover
282	650760	1	Screw, 8-32 x 3/8"
285	35985B	1	Starter Cup
287	29752	4	Nut & Lock Washer, 1/4-28
300	34186A	1	Fuel Tank (Incl. 292 & 301)
301	36246	1	Fuel Cap
305	35554	1	Oil Fill Tube
307	35499	1	"O" Ring
308	35540	1	Fill Tube Clip
310	36205	1	Dipstick
325	29443	1	Wire Clip
327	35392	1	Starter Plug
342	30063	1	Screw, Torx T-30, 1/4-20 x 1/2"
370J	35703	1	Throttle Decal
370	36261	1	Identification Decal

Ref #	Part Number	Qty	Description
370G	35274	1	Instruction Decal
380	640112	1	Carburetor (Incl. 184)
390	590704	1	Rewind Starter (Note: This engine could have been built with 590746 starter.)
400	36450A	1	* Gasket Set (Incl. items marked PK i n notes) Incl. part #'s 27272A (1), 27896A (2), 27915A (1), 29673 (1), 33263 (1), 33629 (1), 34698A (1), 35262 (1), 36448 (1)
420	730225	1	SAE 30 4-Cycle Engine Oil (Quart)

ILLUSTRATION SHOWS TYPICAL PARTS ONLY. ORDER BY PART NUMBER. PARTS NOT LISTED ARE SUPPLIED BY OEM.

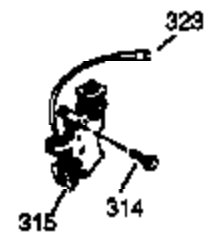
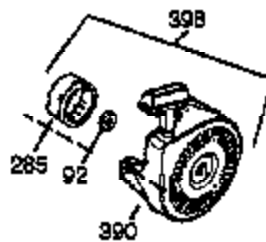
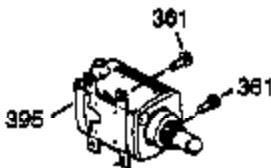
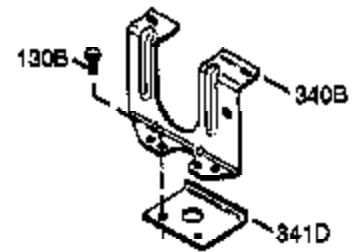
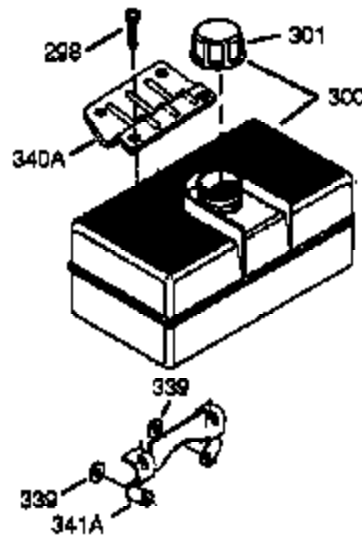
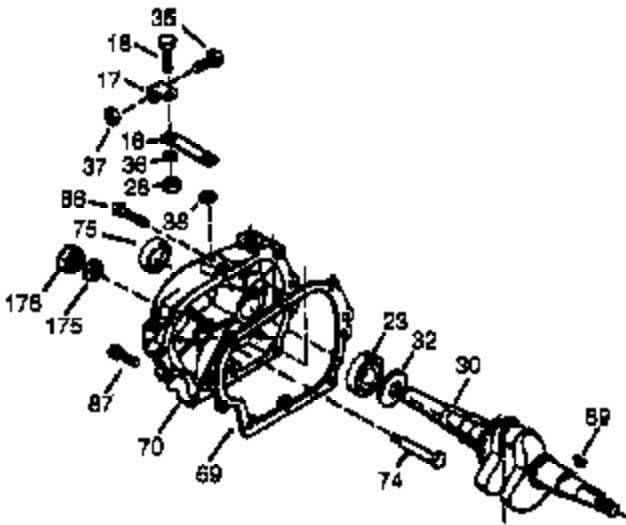
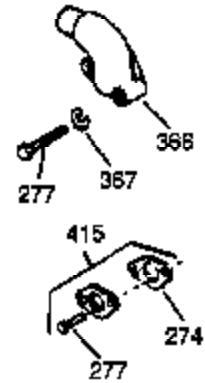
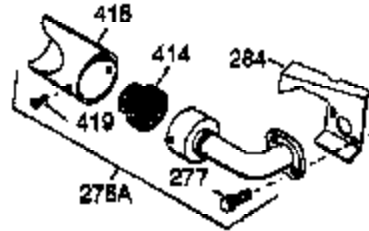
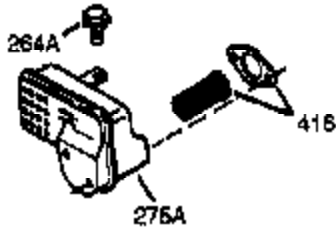
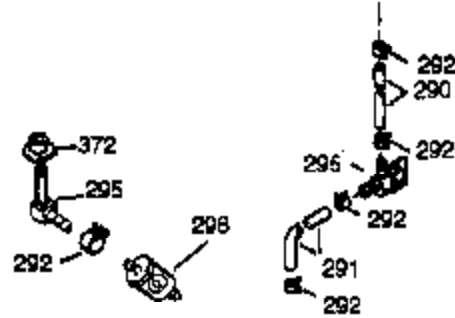
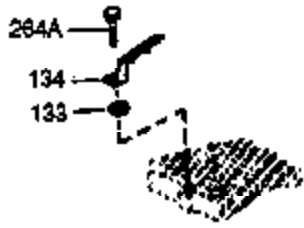
VIEW 2 OF 4



Ref #	Part Number	Qty	Description
1	35385	1	Cylinder (Incl. 2 & 20)
2	27652	2	Dowel Pin
4	32678	1	Oil Drain Extension
5	30969	1	Extension Cap
72	28582	1	Oil Drain Plug
169	27896A	2	* Valve Cover Gasket
170	28423	1	Breather Body
171	28424	1	Breather Element
172	28425	1	Valve Cover
173A	32446	1	Breather Tube Grommet
174	650128	2	Screw, 10-24 x 1/2"
178	29752	2	Nut & Lock Washer, 1/4-28
207	33878	1	Throttle Link
239	27272A	1	* Air Cleaner Gasket
240	33266	1	Air Cleaner Body
242	33267	1	Air Cleaner Bracket
243	28820	2	Screw, 10-32 x 1/2"
245	33268	1	Air Cleaner Filter
245A	35881	1	Air Cleaner Filter
250	33269A	1	Air Cleaner Cover
251	650513	1	Wing Nut, 1/4-20
275	34185B	1	Muffler
276	31588	1	Locking Plate
277	650729	1	Screw, 5/16-18 x 3-3/16"
277A	651036	1	Screw, 5/16-18 x 3-31/32"
278	36908	1	Spacer
280	36799A	1	Heat Shield
291	30962	1	Fuel Line
292	26460	2	Fuel Line Clamp
308	35540	1	Fill Tube Clip
380	640112	1	Carburetor (Incl. 184)
420	730225	1	SAE 30 4-Cycle Engine Oil (Quart)

ILLUSTRATION SHOWS TYPICAL PARTS ONLY. ORDER BY PART NUMBER. PARTS NOT LISTED ARE SUPPLIED BY OEM.

**VIEW 3 OF 4**

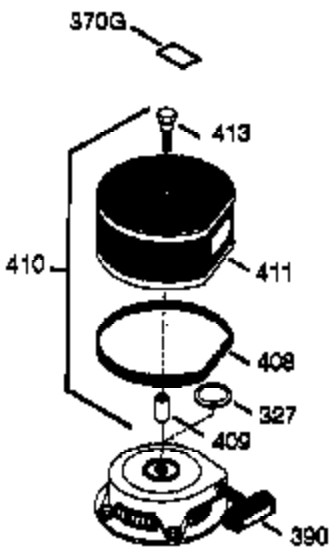
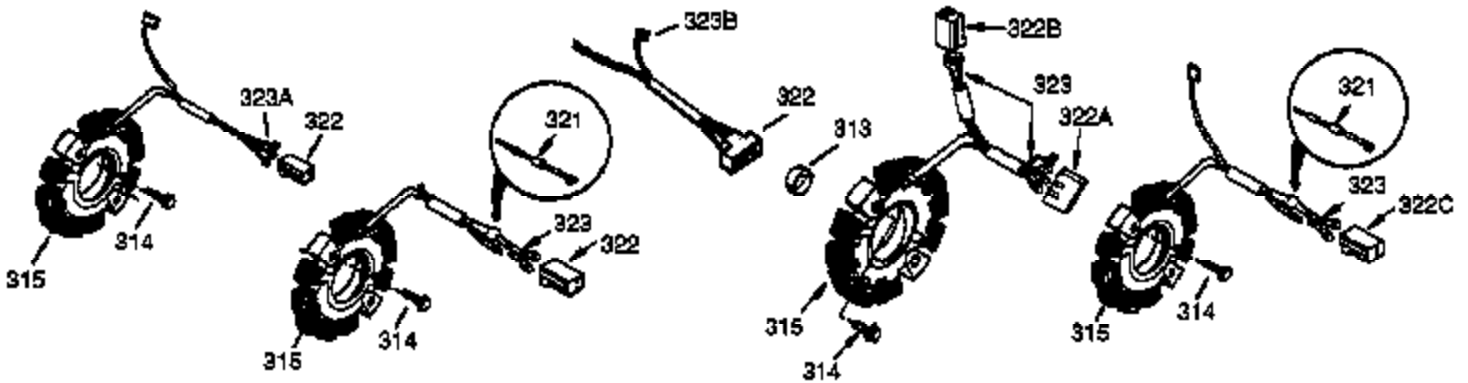
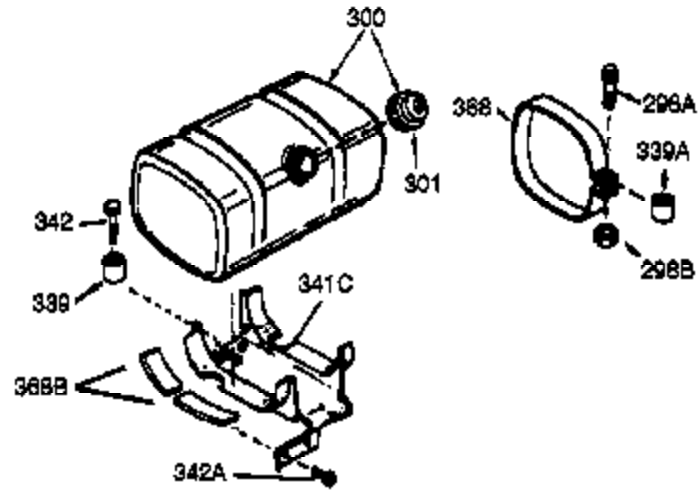
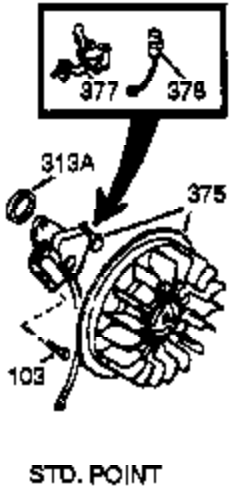


Ref #	Part Number	Qty	Description
16	33454	1	Governor Lever
17	29916	1	Governor Lever Clamp
18	651028	1	Screw, Torx T-15, 8-32 x 3/8"
28	30322	1	Lock Nut, 8-32
30	35372A	1	Crankshaft
35	29826	1	Screw, 10-32 x 3/4"
36	29918	1	Lock Washer
37	29216	1	Lock Nut, 10-32
38	29642	1	Retaining Ring
69	35262A	1	* Cylinder Cover Gasket
70	35376	1	Cylinder Cover (Incl. 71, 75 & 80)
75	35319	1	Oil Seal
86	650833	7	Screw, 1/4-20 x 1-3/16"
87	650832	1	Screw, 1/4-20 x 1-11/16"
89	32589	1	Flywheel Key
92	650880	1	Lock Washer
130B	651031	1	Screw, 1/4-20 x 9/16"
173A	32446	1	Breather Tube Grommet
264A	650802	1	Screw, 1/4-20 x 5/8"
277	650729	1	Screw, 5/16-18 x 3-3/16"
277A	651036	1	Screw, 5/16-18 x 3-31/32"
278	36908	1	Spacer
280	36799A	1	Heat Shield
285	35985B	1	Starter Cup
291	30962	1	Fuel Line
292	26460	2	Fuel Line Clamp
298	650665	2	Screw, 1/4-15 x 3/4"
300	34186A	1	Fuel Tank (Incl. 292 & 301)
301	36246	1	Fuel Cap
308	35540	1	Fill Tube Clip
339	35880	2	Spacer
340A	34259	1	Fuel Tank Bracket
341A	34258A	1	Fuel Tank Bracket
390	590704	1	Rewind Starter (Note: This engine could have been built with 590746 starter.)
416	34479A	1	Spark Arrestor Kit (Optional)
420	730225	1	SAE 30 4-Cycle Engine Oil (Quart)

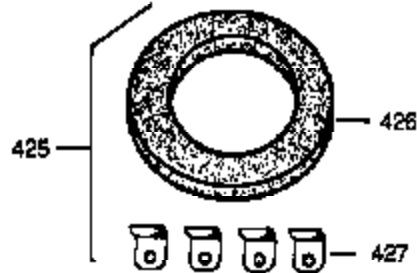


ILLUSTRATION SHOWS TYPICAL PARTS ONLY. ORDER BY PART NUMBER. PARTS NOT LISTED ARE SUPPLIED BY OEM.

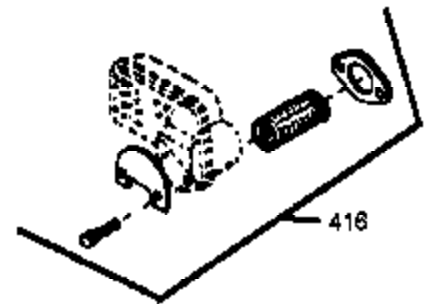
**VIEW 4 OF 4**



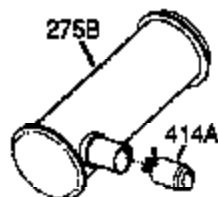
OPTIONAL DEBRIS SCREEN KIT



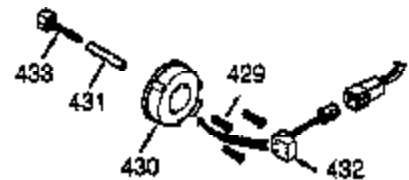
OPTIONAL STARTER MUFF KIT



OPTIONAL SPARK ARRESTOR KIT



OPTIONAL QUIET MUFFLER



OPTIONAL ADD-ON ALTERNATOR AC LIGHTING OR DC CHARGING

Ref #	Part Number	Qty	Description
103	651007	2	Screw, Torx T-15, 10-24 X 15/16"
173A	32446	1	Breather Tube Grommet
277A	651036	1	Screw, 5/16-18 x 3-31/32"
278	36908	1	Spacer
280	36799A	1	Heat Shield
300	34186A	1	Fuel Tank (Incl. 292 & 301)
301	36246	1	Fuel Cap
308	35540	1	Fill Tube Clip
327	35392	1	Starter Plug
339	35880	2	Spacer
342	30063	1	Screw, Torx T-30, 1/4-20 x 1/2"
370G	35274	1	Instruction Decal
390	590704	1	Rewind Starter (Note: This engine could have been built with 590746 starter.)
416	34479A	1	Spark Arrestor Kit (Optional)
420	730225	1	SAE 30 4-Cycle Engine Oil (Quart)