



## Engine Parts List #1

| Ref # | Part Number | Qty | Description                               |
|-------|-------------|-----|---|
| 1     | 35385       | 1   | Cylinder (Incl. 2 & 20)                   |
| 2     | 27652       | 2   | Dowel Pin                                 |
| 4     | 32678       | 1   | Oil Drain Extension                       |
| 5     | 30969       | 1   | Extension Cap                             |
| 15    | 30699C      | 1   | Governor Rod (Incl. 15A & 15B)            |
| 15B   | 650494      | 1   | Screw, 6-40 x 5/16"                       |
| 15A   | 30700       | 1   | Governor Yoke                             |
| 16    | 33454       | 1   | Governor Lever                            |
| 17    | 29916       | 1   | Governor Lever Clamp                      |
| 18    | 650548      | 1   | Screw, 8-32 x 5/16"                       |
| 19    | 34663       | 1   | Speed Control Spring                      |
| 20    | 35319       | 1   | Oil Seal                                  |
| 25    | 36460       | 1   | Blower Housing Baffle                     |
| 26    | 650561      | 2   | Screw, 1/4-20 x 5/8"                      |
| 28    | 30322       | 1   | Lock Nut, 8-32                            |
| 30    | 36283A      | 1   | Crankshaft                                |
| 35    | 29826       | 1   | Screw, 10-32 x 3/4"                       |
| 36    | 29918       | 1   | Lock Washer                               |
| 37    | 29216       | 1   | Lock Nut, 10-32                           |
| 38    | 29642       | 1   | Retaining Ring                            |
| 40    | 34552       | 1   | Piston, Pin & Ring Set (Std.)             |
| 40    | 34553       | 1   | Piston, Pin & Ring Set (.010" OS)         |
| 40    | 34554       | 1   | Piston, Pin & Ring Set (.020" OS)         |
| 41    | 34329A      | 1   | Piston & Pin Ass'y. (Std.) (Incl. 43)     |
| 41    | 34330A      | 1   | Piston & Pin Ass'y. (.010" OS) (Incl. 43) |
| 41    | 34331A      | 1   | Piston & Pin Ass'y. (.020" OS) (Incl. 43) |
| 42    | 34332       | 1   | Ring Set (Std.)                           |
| 42    | 34333       | 1   | Ring Set (.010" OS)                       |
| 42    | 34334       | 1   | Ring Set (.020" OS)                       |
| 43    | 27888       | 2   | Piston Pin Retaining Ring                 |
| 45    | 35373A      | 1   | Connecting Rod Ass'y. (Incl.46,47,49)     |
| 46    | 650908      | 1   | Connecting Rod Bolt                       |
| 47    | 650882      | 1   | Connecting Rod Bolt                       |
| 48    | 34034       | 2   | Valve Lifter                              |
| 49    | 35374       | 1   | Oil Dipper                                |
| 50    | 36569       | 1   | Camshaft (MCR)                            |
| 60    | 33273A      | 1   | Blower Housing Extension                  |
| 65    | 650128      | 1   | Screw, 10-24 x 1/2"                       |
| 69    | 35262A      | 1   | * Cylinder Cover Gasket                   |
| 70    | 35445A      | 1   | Cylinder Cover (Incl. 71, 75 & 80)        |
| 71    | 35377       | 1   | Crankshaft Bushing                        |
| 72    | 27642       | 1   | Oil Drain Plug                            |
| 75    | 35319       | 1   | Oil Seal                                  |
| 76    | 28926       | 1   | Camshaft Seal                             |
| 80    | 31845       | 1   | Governor Shaft                            |
| 81    | 30590A      | 1   | Washer                                    |
| 82    | 35378       | 1   | Governor Gear Ass'y. (Incl. 81)           |
| 83    | 30588A      | 1   | Governor Spool                            |
| 84    | 29193       | 1   | Retaining Ring                            |
| 86    | 650833      | 7   | Screw, 1/4-20 x 1-3/16"                   |
| 87    | 650832      | 1   | Screw, 1/4-20 x 1-11/16"                  |
| 89    | 32589       | 1   | Flywheel Key                              |
| 90    | 611090      | 1   | Flywheel                                  |
| 92    | 650880      | 1   | Lock Washer                               |
| 93    | 650881      | 1   | Flywheel Nut                              |
| 100   | 35135       | 1   | Solid State Ignition                      |
| 101   | 610118      | 1   | Spark Plug Cover                          |
| 102   | 650872      | 2   | Solid State Mounting Stud                 |

## Engine Parts List #1

| Ref # | Part Number | Qty | Description                          |
|-------|-------------|-----|--------------------------------------|
| 103   | 651007      | 2   | Screw, Torx T-15, 10-24 x 15/16"     |
| 110   | 35187       | 1   | Ground Wire                          |
| 119   | 36448       | 1   | * Cylinder Head Gasket               |
| 120   | 36449       | 1   | Cylinder Head                        |
| 125   | 27878A      | 1   | Exhaust Valve (Std.) (Incl. 151)     |
| 125   | 27880A      | 1   | Exhaust Valve (1/32" OS) (Incl. 151) |
| 126   | 34035       | 1   | Intake Valve (Std.) (Incl. 151)      |
| 126   | 34036       | 1   | Intake Valve (1/32" OS) (Incl. 151)  |
| 127   | 650691      | 9   | Washer                               |
| 128   | 650690      | 9   | Belleville Washer                    |
| 130   | 650694A     | 9   | Screw, 5/16-18 x 2"                  |
| 131A  | 650738      | 1   | Screw, 1/4-20 x 5/8"                 |
| 135   | 33636       | 1   | Resistor Spark Plug (RJ17LM)         |
| 139   | 33369       | 1   | Governor Gear Bracket                |
| 140   | 650836      | 2   | Screw, 10-24 x 1/2"                  |
| 149A  | 35862       | 1   | Valve Spring Cap                     |
| 149   | 27882       | 1   | Valve Spring Cap                     |
| 150   | 27881       | 2   | Valve Spring                         |
| 151   | 32581       | 2   | Valve Spring Keeper                  |
| 169   | 27896A      | 2   | * Valve Cover Gasket                 |
| 170   | 28423       | 1   | Breather Body                        |
| 171   | 28424       | 1   | Breather Element                     |
| 172   | 28425       | 1   | Valve Cover                          |
| 173   | 35350       | 1   | Breather Tube                        |
| 174   | 650128      | 2   | Screw, 10-24 x 1/2"                  |
| 178   | 29752       | 4   | Nut & Lock Washer, 1/4-28            |
| 182   | 30088A      | 2   | Screw, 1/4-28 x 1"                   |
| 184   | 33263       | 1   | * Carburetor To Intake Pipe Gasket   |
| 185   | 34707       | 1   | Intake Pipe                          |
| 186   | 34661       | 1   | Governor Link                        |
| 200   | 34677       | 1   | Control Bracket (Incl. 203 & 204)    |
| 203   | 31342       | 1   | Compression Spring                   |
| 204   | 650549      | 1   | Screw, 5-40 x 7/16"                  |
| 206   | 610973      | 1   | Terminal                             |
| 207   | 33878       | 1   | Throttle Link                        |
| 209   | 650821      | 2   | Screw, 10-32 x 1/2"                  |
| 215   | 32410       | 1   | Control Knob                         |
| 223   | 650378      | 2   | Screw, Torx T-30, 5/16-18 x 1-1/8"   |
| 224   | 27915A      | 1   | * Intake Pipe Gasket                 |
| 242   | 33267       | 1   | Air Cleaner Bracket                  |
| 250   | 33269A      | 1   | Air Cleaner Cover                    |
| 260   | 33375D      | 1   | Blower Housing                       |
| 261   | 650788      | 2   | Screw, 5/16-18 x 3/4"                |
| 262   | 29747B      | 2   | Screw, Torx T-40, 5/16-24 x 21/32"   |
| 264A  | 650802      | 1   | Screw, 1/4-20 x 5/8"                 |
| 265   | 33272B      | 1   | Cylinder Head Cover                  |
| 275   | 34185B      | 1   | Muffler                              |
| 276   | 31588       | 1   | Locking Plate                        |
| 277   | 650729      | 2   | Screw, 5/16-18 x 3-3/16"             |
| 281   | 33013       | 1   | Starter Bubble Cover                 |
| 282   | 650760      | 1   | Screw, 8-32 x 3/8"                   |
| 285   | 35985B      | 1   | Starter Cup                          |
| 287   | 29752       | 4   | Nut & Lock Washer, 1/4-28            |
| 290   | 30705       | 1   | Fuel Line                            |
| 292   | 26460       | 3   | Fuel Line Clamp                      |
| 305   | 35554       | 1   | Oil Fill Tube                        |
| 307   | 35499       | 1   | "O" Ring                             |
| 308   | 35540       | 1   | Fill Tube Clip                       |

| Ref # | Part Number | Qty | Description   |
|-------|-------------|-----|---|
| 310   | 36205       | 1   | Dipstick  |
| 325   | 29443       | 1   | Wire Clip   |
| 327   | 35392       | 1   | Starter Plug  |
| 342   | 30063       | 1   | Screw, Torx T-30, 1/4-20 x 1/2"   |
| 370A  | 35703       | 1   | Throttle Decal  |
| 370C  | 35274       | 1   | Instruction Decal   |
| 370   | 36261       | 1   | Instruction Decal   |
| 380   | 632689      | 1   | Carburetor (Incl. 184)  |
| 390   | 590704      | 1   | Rewind Starter (Note: This engine could have been built with 590671 starter. Refer to the design of the air intake louvers for part identification. individual starter parts do not interchange.) |
| 400   | 36450       | 1   | * Gasket Set (Incl. items marked PK i n notes) Incl. part #'s 27272A (1), 27896A (2), 27915A (1), 29673 (1), 33263 (1), 33629 (1), 34698A (1), 35262 (1), 36448 (1)                               |
| 420   | 730225      | 1   | SAE 30 4-Cycle Engine Oil (Quart)   |

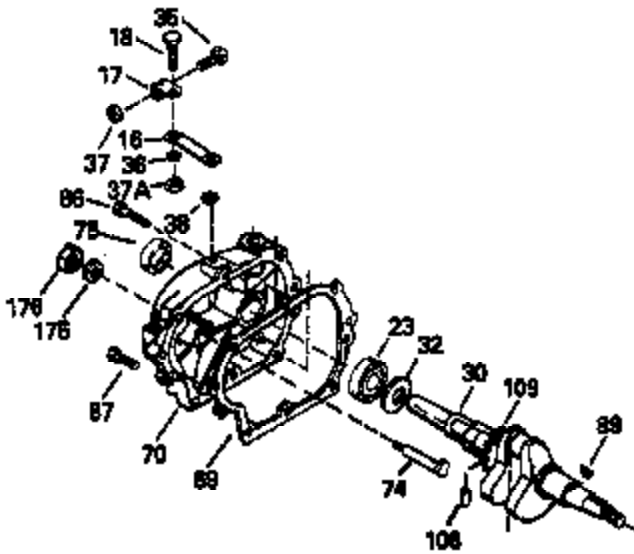
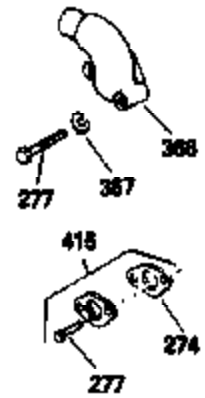
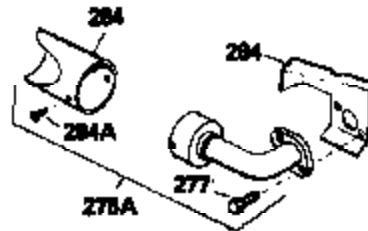
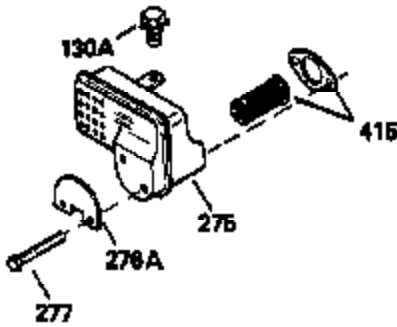
ILLUSTRATION SHOWS TYPICAL PARTS ONLY. ORDER BY PART NUMBER. PARTS NOT LISTED ARE SUPPLIED BY OEM.



## Engine Parts List #2

| Ref # | Part Number | Qty | Description               |
|-------|-------------|-----|---------------------------|
| 1     | 35385       | 1   | Cylinder (Incl. 2 & 20)   |
| 2     | 27652       | 2   | Dowel Pin                 |
| 4     | 32678       | 1   | Oil Drain Extension       |
| 19    | 34663       | 1   | Speed Control Spring      |
| 28    | 30322       | 1   | Lock Nut, 8-32            |
| 72    | 27642       | 1   | Oil Drain Plug            |
| 110   | 35187       | 1   | Ground Wire               |
| 169   | 27896A      | 2   | * Valve Cover Gasket      |
| 170   | 28423       | 1   | Breather Body             |
| 171   | 28424       | 1   | Breather Element          |
| 172   | 28425       | 1   | Valve Cover               |
| 173   | 35350       | 1   | Breather Tube             |
| 174   | 650128      | 2   | Screw, 10-24 x 1/2"       |
| 178   | 29752       | 4   | Nut & Lock Washer, 1/4-28 |
| 207   | 33878       | 1   | Throttle Link             |
| 239   | 27272A      | 1   | * Air Cleaner Gasket      |
| 240   | 33266       | 1   | Air Cleaner Body          |
| 242   | 33267       | 1   | Air Cleaner Bracket       |
| 243   | 28820       | 2   | Screw, 10-32 x 1/2"       |
| 245A  | 35881       | 1   | Air Cleaner Filter        |
| 245   | 33268       | 1   | Air Cleaner Filter        |
| 250   | 33269A      | 1   | Air Cleaner Cover         |
| 251   | 650513      | 1   | Wing Nut, 1/4-20          |
| 264A  | 650802      | 1   | Screw, 1/4-20 x 5/8"      |
| 275   | 34185B      | 1   | Muffler                   |
| 276   | 31588       | 1   | Locking Plate             |
| 277   | 650729      | 2   | Screw, 5/16-18 x 3-3/16"  |
| 292   | 26460       | 3   | Fuel Line Clamp           |
| 305   | 35554       | 1   | Oil Fill Tube             |
| 307   | 35499       | 1   | "O" Ring                  |
| 370C  | 35274       | 1   | Instruction Decal         |
| 380   | 632689      | 1   | Carburetor (Incl. 184)    |

ILLUSTRATION SHOWS TYPICAL PARTS ONLY. ORDER BY PART NUMBER. PARTS NOT LISTED ARE SUPPLIED BY OEM.



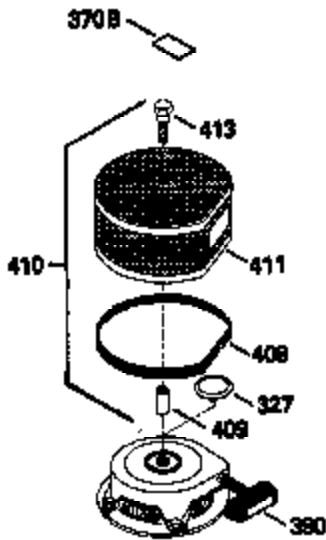
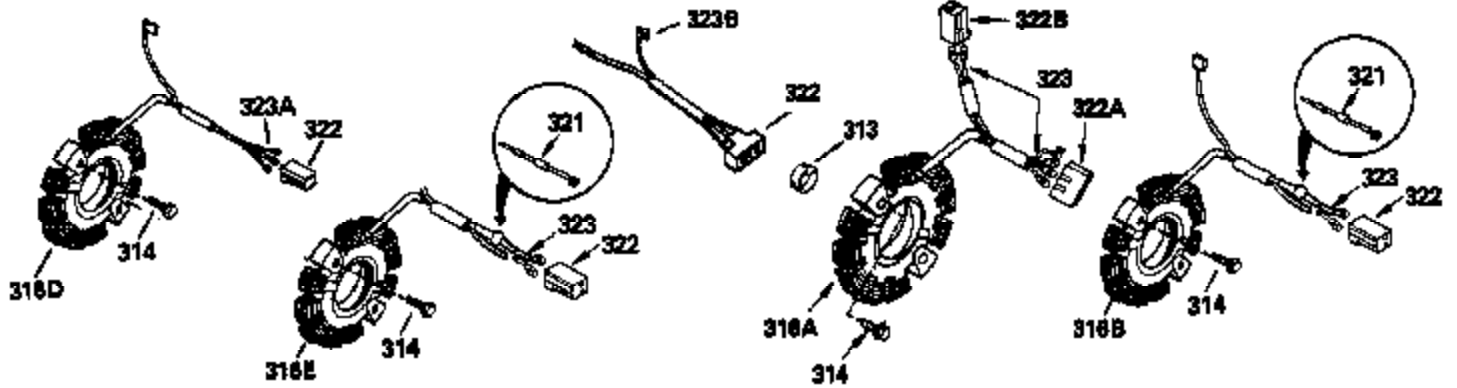
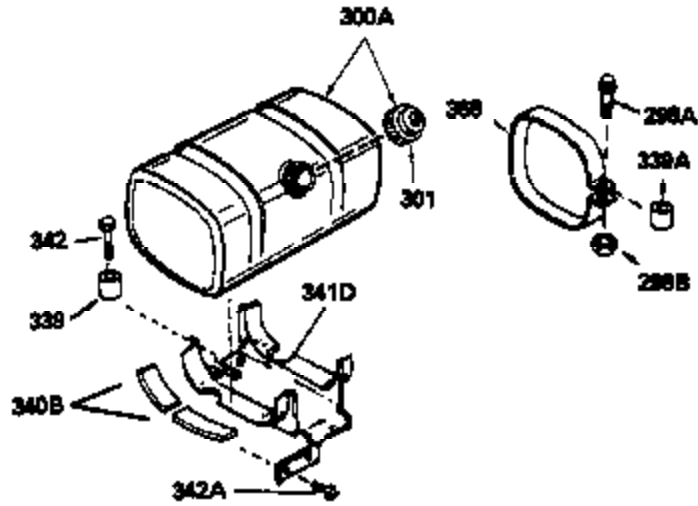
| Ref # | Part Number | Qty | Description                        |
|-------|-------------|-----|------------------------------------|
| 16    | 33454       | 1   | Governor Lever                     |
| 17    | 29916       | 1   | Governor Lever Clamp               |
| 18    | 650548      | 1   | Screw, 8-32 x 5/16"                |
| 19    | 34663       | 1   | Speed Control Spring               |
| 28    | 30322       | 1   | Lock Nut, 8-32                     |
| 30    | 36283A      | 1   | Crankshaft                         |
| 35    | 29826       | 1   | Screw, 10-32 x 3/4"                |
| 36    | 29918       | 1   | Lock Washer                        |
| 37    | 29216       | 1   | Lock Nut, 10-32                    |
| 38    | 29642       | 1   | Retaining Ring                     |
| 69    | 35262A      | 1   | * Cylinder Cover Gasket            |
| 70    | 35445A      | 1   | Cylinder Cover (Incl. 71, 75 & 80) |
| 75    | 35319       | 1   | Oil Seal                           |
| 86    | 650833      | 7   | Screw, 1/4-20 x 1-3/16"            |
| 87    | 650832      | 1   | Screw, 1/4-20 x 1-11/16"           |
| 89    | 32589       | 1   | Flywheel Key                       |
| 131A  | 650738      | 1   | Screw, 1/4-20 x 5/8"               |
| 242   | 33267       | 1   | Air Cleaner Bracket                |
| 250   | 33269A      | 1   | Air Cleaner Cover                  |
| 264A  | 650802      | 1   | Screw, 1/4-20 x 5/8"               |
| 275   | 34185B      | 1   | Muffler                            |
| 277   | 650729      | 2   | Screw, 5/16-18 x 3-3/16"           |
| 296   | 34279B      | 1   | Fuel Filter (Incl. 292)            |
| 307   | 35499       | 1   | "O" Ring                           |



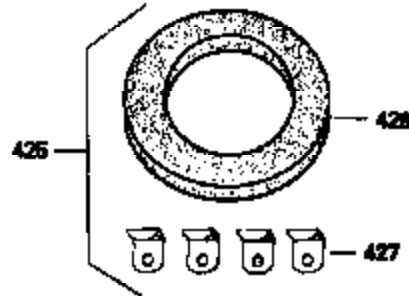
ILLUSTRATION SHOWS TYPICAL PARTS ONLY. ORDER BY PART NUMBER. PARTS NOT LISTED ARE SUPPLIED BY OEM.



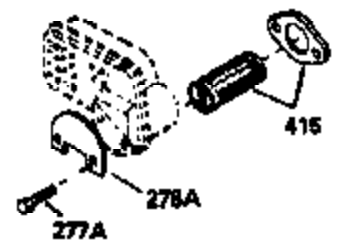
STD. POINT



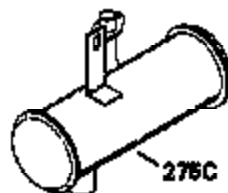
OPTIONAL DEBRIS SCREEN KIT



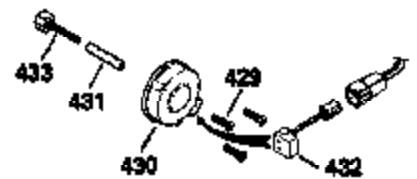
OPTIONAL STARTER MUFF KIT



OPTIONAL SPARK ARRESTOR KIT



OPTIONAL QUIET MUFFLER



OPTIONAL ADD-ON ALTERNATOR AC LIGHTING OR DC CHARGING

| Ref # | Part Number | Qty | Description   |
|-------|-------------|-----|---|
| 19    | 34663       | 1   | Speed Control Spring  |
| 28    | 30322       | 1   | Lock Nut, 8-32  |
| 103   | 651007      | 2   | Screw, Torx T-15, 10-24 x 15/16"  |
| 242   | 33267       | 1   | Air Cleaner Bracket   |
| 250   | 33269A      | 1   | Air Cleaner Cover   |
| 264A  | 650802      | 1   | Screw, 1/4-20 x 5/8"  |
| 307   | 35499       | 1   | "O" Ring  |
| 327   | 35392       | 1   | Starter Plug  |
| 342   | 30063       | 1   | Screw, Torx T-30, 1/4-20 x 1/2"   |
| 390   | 590704      | 1   | Rewind Starter (Note: This engine could have been built with 590671 starter. Refer to the design of the air intake louvers for part identification. individual starter parts do not interchange.) |