

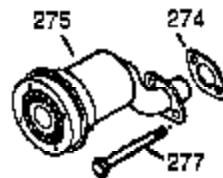
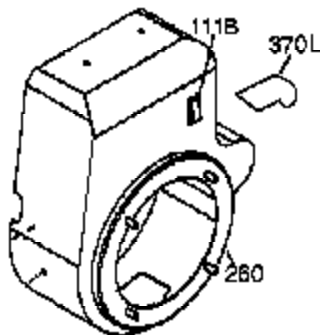
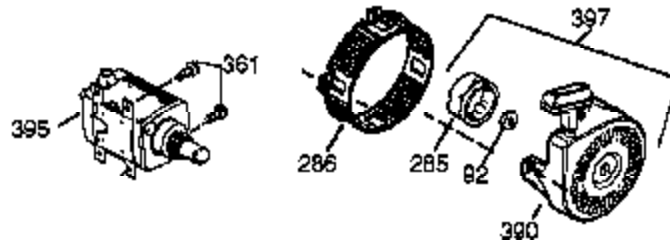
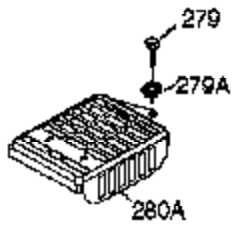
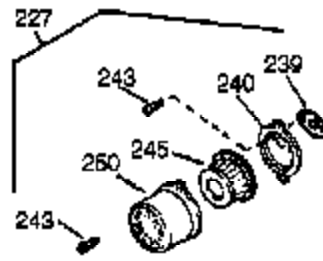
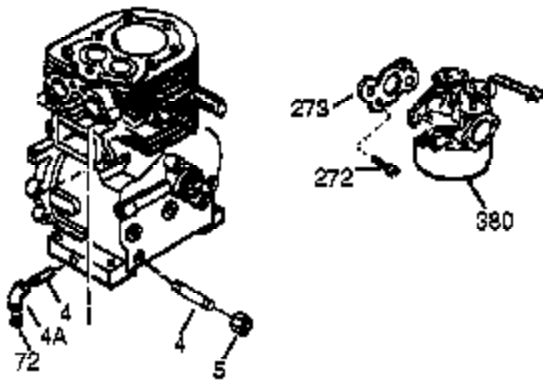
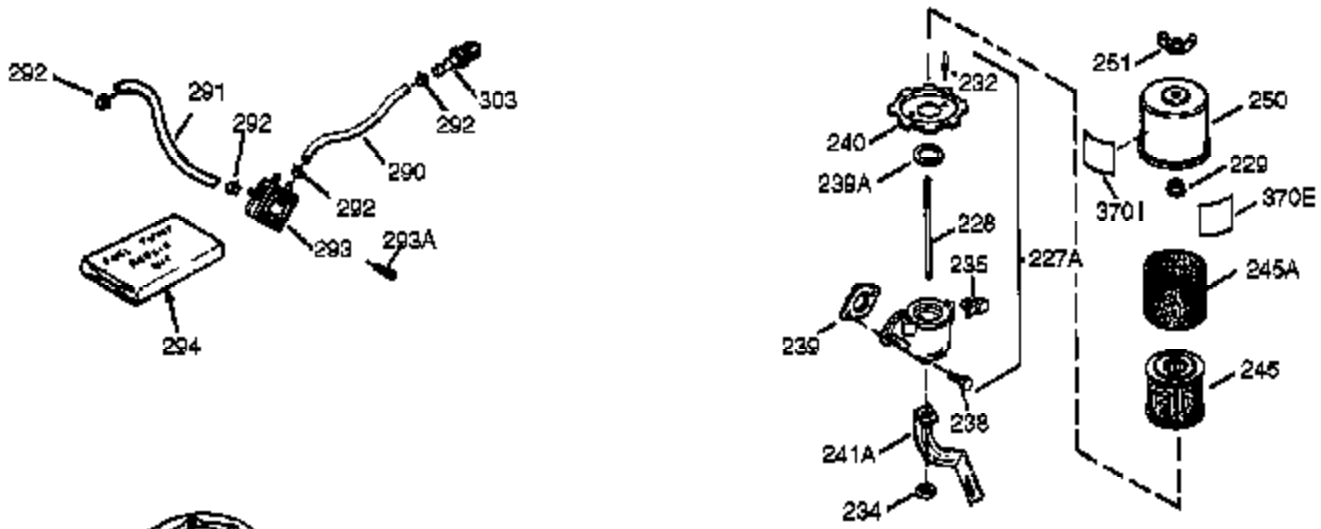
## Engine Parts List #1

Ref #	Part Number	Qty	Description
	1 35966	1	Cylinder (Incl. 2, 20 & 72)
	2 27652	2	Dowel Pin
	14 28277	1	Washer
15B	650494	1	Screw, 6-40 x 5/16"
15	30699C	1	Governor Rod (Incl. 15A & 15B)
15A	30700	1	Governor Yoke
	16 37255A	1	Governor Lever Ass'y (Incl. 212A)
	17 29916	1	Governor Lever Clamp
	18 651028	1	Screw, T-15, 8-32 x 7/16"
	20 35319	1	Oil Seal
	25 36460	1	Blower Housing Baffle
	26 650561	2	Screw, 1/4-20 x 19/32"
	28 30322	1	Lock Nut, 8-32
	30 37302	1	Crankshaft
	35 29826	1	Screw, 10-32 x 3/4"
	36 29918	1	Lock Washer
	37 29216	1	Lock Nut, 10-32
	38 29642	1	Retaining Ring
	40 40011	1	Piston, Pin & Ring Set (Std.)
	40 40012	1	Piston, Pin & Ring Set (.010" OS)
	41 40009	1	Piston & Pin Ass'y (Std.) (Incl. 43)
	41 40010	1	Piston & Pin Ass'y (.010" OS) (Incl. 43)
	42 40013	1	Ring Set (Std.)
	42 40014	1	Ring Set (.010" OS)
	43 27888	2	Piston Pin Retaining Ring
	45 36897	1	Connecting Rod Ass'y (Incl. 47 & 49)
	47 651033	2	Connecting Rod Bolt
	48 34034	2	Valve Lifter
	49 36896	1	Oil Dipper
	50 35375	1	Camshaft (MCR)
	60 33273A	1	Blower Housing Extension
	65 650128	1	Screw, 10-24 x 1/2"
	69 37342	1	* Cylinder Cover Gasket
	70 35376A	1	Cylinder Cover (Incl. 71,75,80 Thru 8 4)
	71 35377	1	Crankshaft Bushing
	72 27642	2	Oil Drain Plug
	75 37648	1	Oil Seal
	80 37587	1	Governor Shaft
	81 651080	1	Washer
	82 37588	1	Governor Gear Ass'y. (Incl. 81)
	83 30588A	1	Governor Spool
	84 29193	1	Retaining Ring
	86 650833	7	Screw, 1/4-20 x 1-3/16"
	87 650832	1	Screw, 1/4-20 x 1-11/16"
	89 32589	1	Flywheel Key
	90 611090	1	Flywheel
	92 650880	1	Lock Washer
	93 650881	1	Flywheel Nut
	94 651016	1	Lock Nut, 10-32
	95 30886A	1	Extension Spring
	96 30845A	1	R.P.M. Adjusting Bolt
100	35135A	1	Solid State Ignition (Incl. 101)
101	610118	1	Spark Plug Cover
102	651024	2	Solid State Mounting Stud
103	651007	2	Screw, T-15, 10-24 x 15/16"
110	35589	1	Ground Wire
110A	36993	1	Ground Wire
111	611220	1	Low Oil Shut-Down Switch (Incl. 112)

## Engine Parts List #1

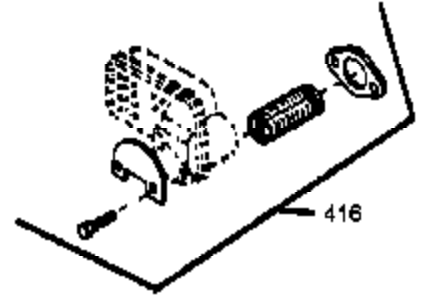
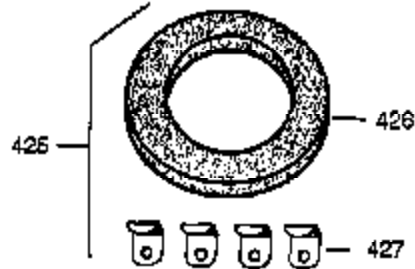
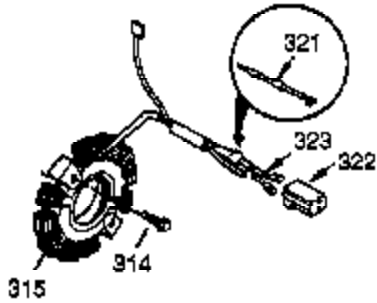
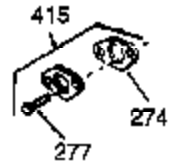
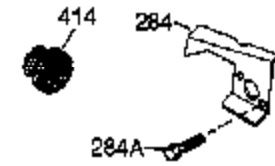
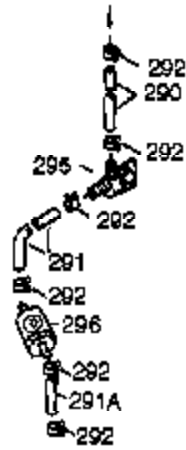
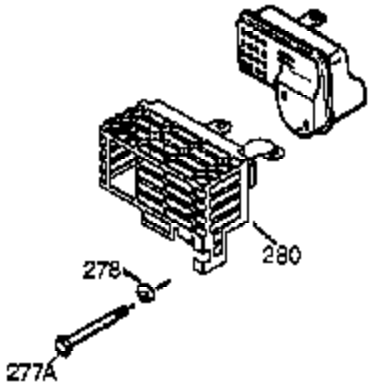
Ref #	Part Number	Qty	Description
112	35967A	1	* Low Oil Shut-Down Gasket
113	650950	4	Screw, T-25, 10-24 x 5/8"
119	36448	1	* Cylinder Head Gasket
120	36449	1	Cylinder Head
125	27878A	1	Exhaust Valve (Std.) (Incl. 151)
125	27880A	1	Exhaust Valve (1/32" OS) (Incl. 151)
126	34035	1	Intake Valve (Std.) (Incl. 151)
127	650691	9	Washer
128	650690	7	Belleville Washer
130	650694A	7	Screw, 5/16-18 x 2"
130B	651031	1	Screw, 1/4-20 x 9/16"
135	33636	1	Resistor Spark Plug (RJ17LM)
139	33369	1	Governor Gear Bracket
140	650836	2	Screw, 10-24 x 1/2"
149	27882	1	Valve Spring Cap
149A	35862	1	Valve Spring Cap
150	27881	2	Valve Spring
151	32581	2	Valve Spring Keeper
169	27896A	2	* Breather Gasket
170	28423	1	Breather Body
171	28424	1	Breather Element
172	28425	1	Valve Cover
173	35350	1	Breather Tube
174	650128	2	Screw, 10-24 x 1/2"
178	29752	2	Nut & Lock Washer, 1/4-28
182	30088A	2	Screw, 1/4-28 x 1"
184	33263	1	* Carburetor To Intake Pipe Gasket
185	33877	1	Intake Pipe
207	37448	1	Throttle Link
212A	36288	1	Bushing
223	650378	2	Screw, T-30, 5/16-18 x 1-3/32
224	27915A	1	* Intake Pipe Gasket
239	27272A	1	* Air Cleaner Gasket
242	33267	1	Air Cleaner Bracket
243	651081	2	Screw, 10-32 x 15/32"
245A	35881	1	Air Cleaner Filter
245	33268	1	Air Cleaner Filter
250	33269A	1	Air Cleaner Cover
251	37444	1	Wing Nut, 1/4-20
260	36468A	1	Blower Housing
261	650788	2	Screw, 5/16-18 x 3/4"
262	29747B	2	Screw, T-40, 5/16-24 x 21/32"
264A	650802	1	Screw, 1/4-20 x 5/8"
265	33272D	1	Cylinder Head Cover
276	31588	1	Locking Plate
277	650729	2	Screw, 5/16-18 x 3-3/16"
281	33013	1	Starter Bubble Cover
282	650760	1	Screw, 8-32 x 3/8"
285	35985B	1	Starter Cup
287	29752	4	Nut & Lock Washer, 1/4-28
311	35941	1	Oil Fill Plug
325	29443	1	Wire Clip
335	37655	1	Carburetor Cover
336	650765	1	Screw, 10-32 x 1/2"
338	28942	2	Screw, 10-32 x 3/8"
342	30063	1	Screw, T-30, 1/4-20 x 1/2"
364	37659	1	Carburetor Cover Bracket
365	650767	2	Screw, 8-32 x 27/64"

Ref #	Part Number	Qty	Description
370K	36695	1	Starter Decal
370	36261	1	Identification Decal
370G	35274	1	Instruction Decal
380	640260A	1	Carburetor (Incl. 184)
390	590746	1	Rewind Starter (NOTE: This engine could have been built with 590704 starter.)
400	36450C	1	* Gasket Set (Incl. items marked PK in notes)
420	730225A	1	SAE 30 4-Cycle Engine Oil (Quart)



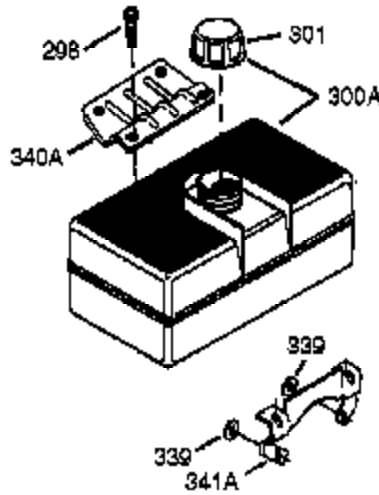
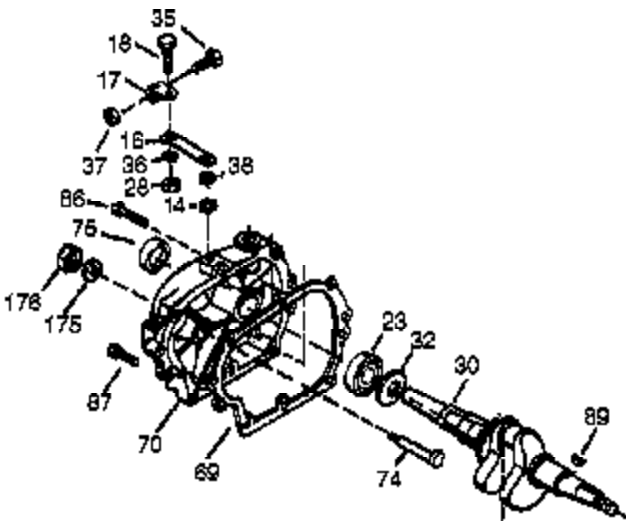
## Engine Parts List #2

Ref #	Part Number	Qty	Description
72	27642	2	Oil Drain Plug
84	29193	1	Retaining Ring
92	650880	1	Lock Washer
111B	611226	1	Rocker On/Off Switch
239	27272A	1	* Air Cleaner Gasket
240	33266	1	Air Cleaner Body
243	651081	2	Screw, 10-32 x 15/32"
245	33268	1	Air Cleaner Filter
245A	35881	1	Air Cleaner Filter
250	33269A	1	Air Cleaner Cover
251	37444	1	Wing Nut, 1/4-20
260	36468A	1	Blower Housing
275	34185B	1	Muffler
277	650729	2	Screw, 5/16-18 x 3-3/16"
285	35985B	1	Starter Cup
291	30962	1	Fuel Line
292	26460	5	Fuel Line Clamp
370L	36990	1	Low Oil Decal
380	640260A	1	Carburetor (Incl. 184)
390	590746	1	Rewind Starter (NOTE: This engine could have been built with 590704 starter.)



OPTIONAL  
STARTER MUFF KIT

OPTIONAL  
SPARK ARRESTOR KIT



Ref #	Part Number	Qty	Description
14	28277	1	Washer
16	37255A	1	Governor Lever Ass'y (Incl. 212A)
17	29916	1	Governor Lever Clamp
18	651028	1	Screw, T-15, 8-32 x 7/16"
28	30322	1	Lock Nut, 8-32
30	37302	1	Crankshaft
35	29826	1	Screw, 10-32 x 3/4"
36	29918	1	Lock Washer
37	29216	1	Lock Nut, 10-32
38	29642	1	Retaining Ring
69	37342	1	* Cylinder Cover Gasket
70	35376A	1	Cylinder Cover (Incl. 71,75,80 Thru 8 4)
75	37648	1	Oil Seal
84	29193	1	Retaining Ring
86	650833	7	Screw, 1/4-20 x 1-3/16"
87	650832	1	Screw, 1/4-20 x 1-11/16"
89	32589	1	Flywheel Key
277	650729	2	Screw, 5/16-18 x 3-3/16"
291	30962	1	Fuel Line
292	26460	5	Fuel Line Clamp
296	34279B	1	Fuel Filter (Incl. 292)
416	34479A	1	Spark Arrestor Kit (Optional)