

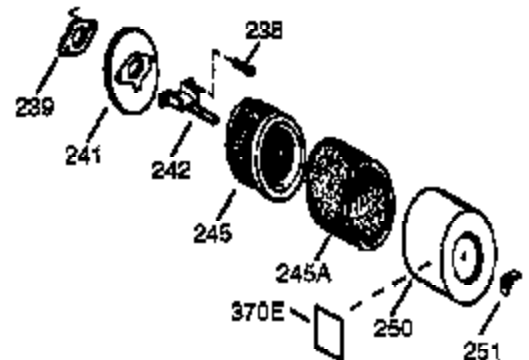
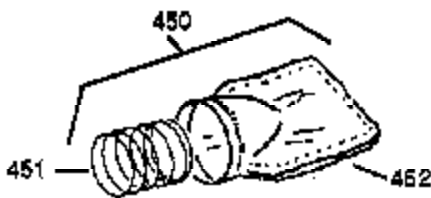
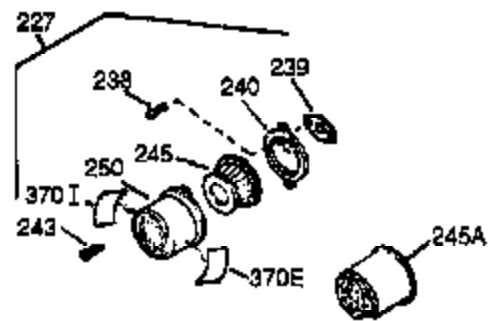
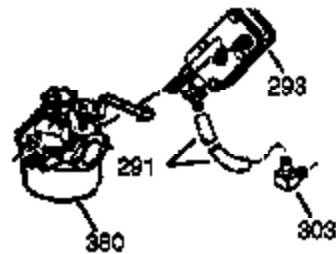
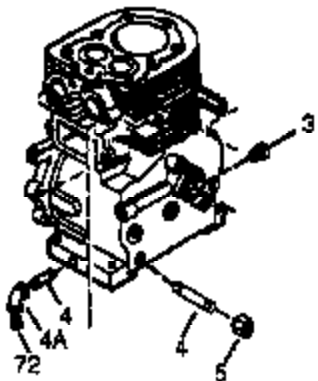
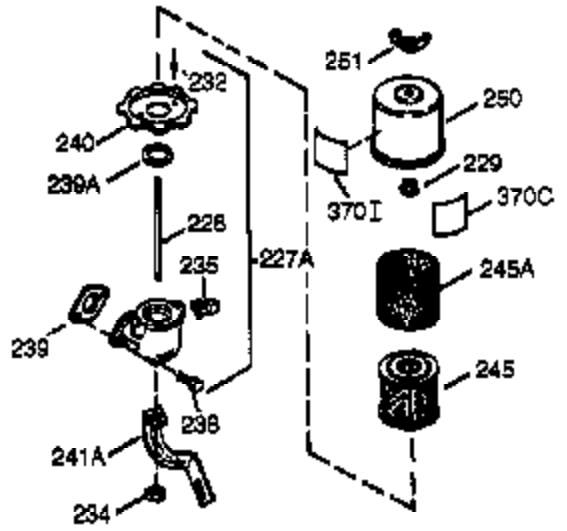
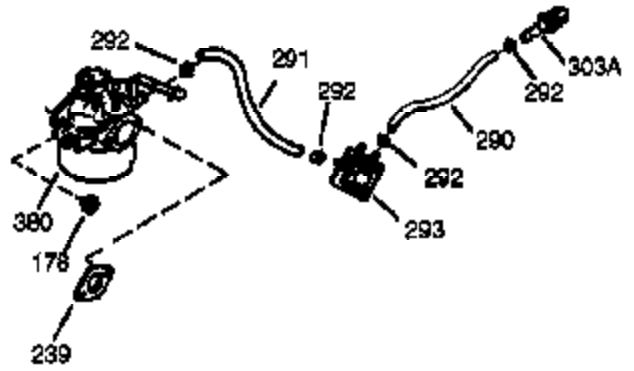
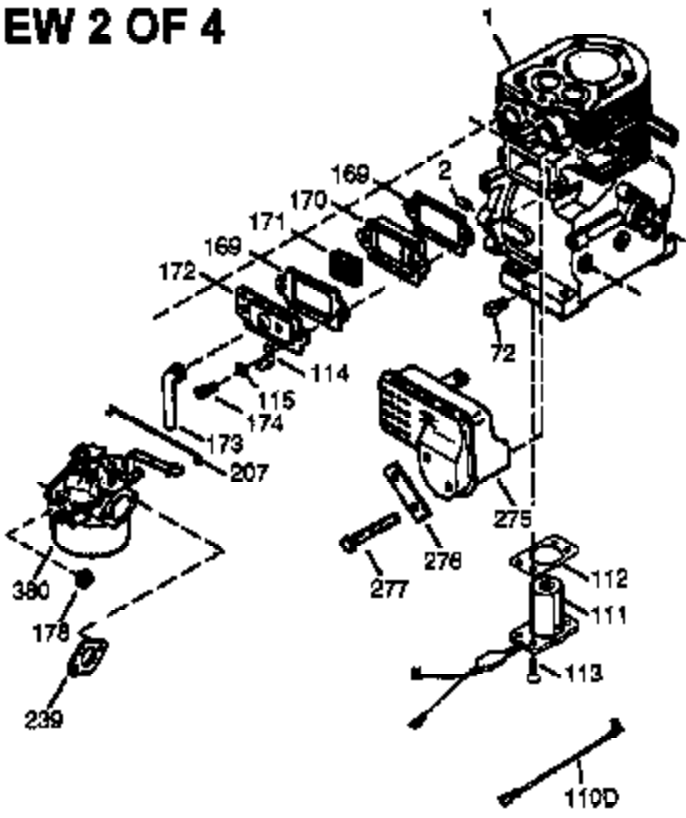
Engine Parts List #1

Ref #	Part Number	Qty	Description
	1 35966	1	Cylinder (Incl. 2, 20 & 72)
	2 27652	2	Dowel Pin
	14 28277	1	Washer
	15A 30700	1	Governor Yoke
	15 30699C	1	Governor Rod (Incl. 15A & 15B)
	15B 650494	1	Screw, 6-40 x 5/16"
	16 33454A	1	Governor Lever Ass'y.
	17 29916	1	Governor Lever Clamp
	18 651028	1	Screw, Torx T-15, 8-32 x 3/8"
	20 35319	1	Oil Seal
	25 36460	1	Blower Housing Baffle
	26 650561	2	Screw, 1/4-20 x 5/8"
	28 30322	1	Lock Nut, 8-32
	30 35441A	1	Crankshaft
	35 29826	1	Screw, 10-32 x 3/4"
	37 29216	1	Lock Nut, 10-32
	38 29642	1	Retaining Ring
	40 40011	1	Piston, Pin & Ring Set (Std.)
	40 40012	1	Piston, Pin & Ring Set (.010" OS)
	41 40009	1	Piston & Pin Ass'y. (Std.) (Incl. 43)
	41 40010	1	Piston & Pin Ass'y. (.010" OS) (Incl. 43)
	42 40013	1	Ring Set (Std.)
	42 40014	1	Ring Set (.010" OS)
	43 27888	2	Piston Pin Retaining Ring
	45 36897	1	Connecting Rod Ass'y. (Incl. 47 & 49)
	47 651033	2	Connecting Rod Bolt
	48 34034	2	Valve Lifter
	49 36896	1	Oil Dipper
	50 35375	1	Camshaft (MCR)
	60 33273A	1	Blower Housing Extension
	65 650128	1	Screw, 10-24 x 1/2"
	69 37342	1	* Cylinder Cover Gasket
	70 35376	1	Cylinder Cover (Incl. 71, 75 & 80)
	71 35377	1	Crankshaft Bushing
	72 27642	2	Oil Drain Plug
	80 31845	1	Governor Shaft
	81 30590A	1	Washer
	82 35378	1	Governor Gear Ass'y. (Incl. 81)
	83 30588A	1	Governor Spool
	84 29193	1	Retaining Ring
	86 650833	7	Screw, 1/4-20 x 1-3/16"
	87 650832	1	Screw, 1/4-20 x 1-11/16"
	89 32589	1	Flywheel Key
	90 611090	1	Flywheel
	92 650880	1	Belleville Washer
	93 650881	1	Flywheel Nut
	94 651016	1	Lock Nut, 10-32
	95 30886A	1	Extension Spring
	96 30845A	1	R.P.M. Adjusting Bolt
	100 35135	1	Solid State Ignition
	102 651024	2	Solid State Mounting Stud
	103 651007	2	Screw, Torx T-15, 10-24 x 15/16"
	110 35589	1	Ground Wire
	110A 36993	1	Ground Wire
	111B 611224	1	Rocker On/Off Switch
	119 36448	1	* Cylinder Head Gasket
	120 36449	1	Cylinder Head
	125 27878A	1	Exhaust Valve (Std.) (Incl. 151)

Ref #	Part Number	Qty	Description
125	27880A	1	Exhaust Valve (1/32" OS) (Incl. 151)
126	34035	1	Intake Valve (Std.) (Incl. 151)
126	34036	1	Intake Valve (1/32" OS) (Incl. 151)
127	650691	9	Washer
128	650690	6	Belleville Washer
130B	651031	1	Screw, 1/4-20 x 9/16"
130A	650727	3	Screw, 5/16-18 x 1-3/4"
130	650694A	6	Screw, 5/16-18 x 2"
135	33636	1	Resistor Spark Plug (RJ17LM)
139	33369	1	Governor Gear Bracket
140	650836	2	Screw, 10-24 x 1/2"
149	27882	1	Valve Spring Cap
149A	35862	1	Valve Spring Cap
150	27881	2	Valve Spring
151	32581	2	Valve Spring Keeper
169	27896A	2	* Breather Gasket
170	28423	1	Breather Body
171	28424	1	Breather Element
172	28425	1	Valve Cover
173	35350	1	Breather Tube
174	650128	2	Screw, 10-24 x 1/2"
178	29752	2	Nut & Lock Washer, 1/4-28
182	30088A	2	Screw, 1/4-28 x 1"
184	33263	1	* Carburetor To Intake Pipe Gasket
185	33877	1	Intake Pipe
207	33878	1	Throttle Link
223	650378	2	Screw, Torx T-30, 5/16-18 x 1-1/8"
224	27915A	1	* Intake Pipe Gasket
260	36468A	1	Blower Housing
261	650788	2	Screw, 5/16-18 x 3/4"
262	29747B	2	Screw, Torx T-40, 5/16-24 x 21/32"
265	33272B	1	Cylinder Head Cover
275	34185B	1	Muffler
276	31588	1	Locking Plate
279	650729	2	Screw, 5/16-18 x 3-3/16"
281	33013	1	Starter Bubble Cover
282	650760	1	Screw, 8-32 x 3/8"
285	35985B	1	Starter Cup
287	29752	4	Nut & Lock Washer, 1/4-28
311	35941	1	Dipstick
324	33177	1	Terminal
325	29443	1	Wire Clip
342	30063	1	Screw, Torx T-30, 1/4-20 x 1/2"
370K	36695	1	Starter Decal
370G	35274	1	Oil Instruction Decal
380	640152A	1	Carburetor (Incl. 184)
390	590746	1	Rewind Starter (NOTE: This engine could have been built with 590704 starter.)
400	36450C	1	* Gasket Set (Incl. items marked PK in notes) Incl. part #'s 27272A (1), 27896A (2), 27915A (1), 29673 (1), 33263 (1), 33629 (1), 34698A (1), 35317 (1), 35967 (1), 36448 (1)
420	730225A	1	SAE 30 4-Cycle Engine Oil (Quart)

ILLUSTRATION SHOWS TYPICAL PARTS ONLY. ORDER BY PART NUMBER. PARTS NOT LISTED ARE SUPPLIED BY OEM.

VIEW 2 OF 4

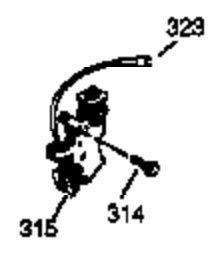
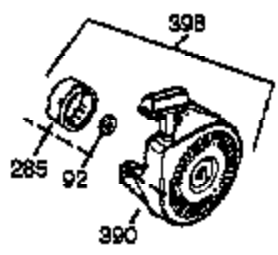
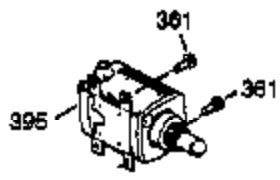
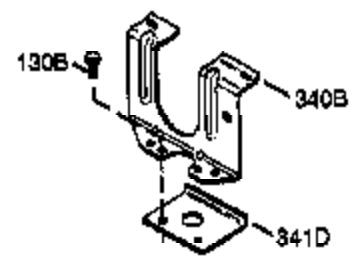
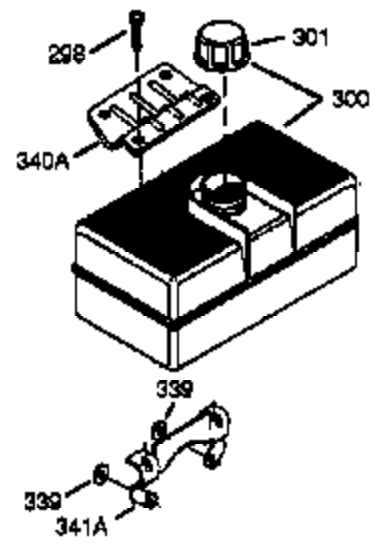
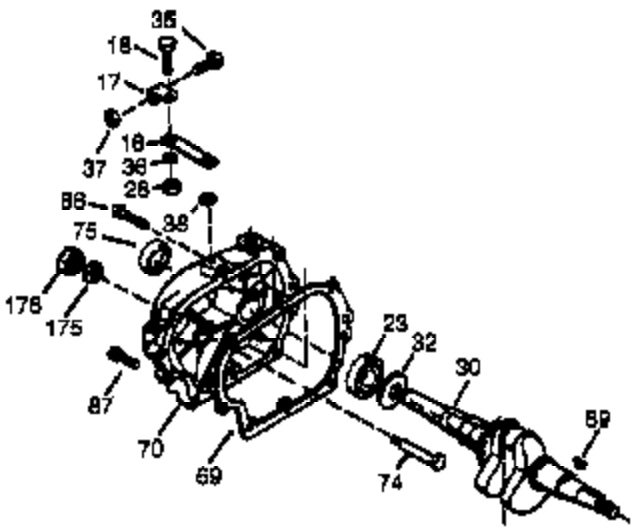
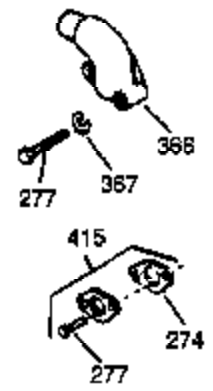
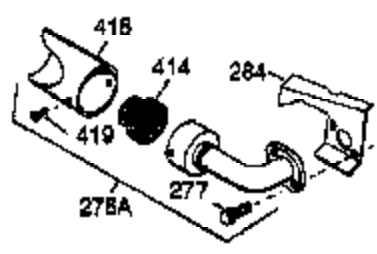
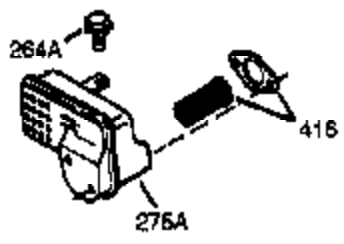
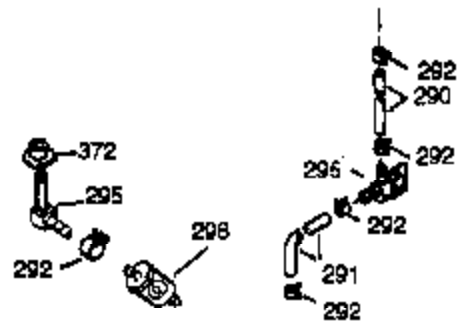
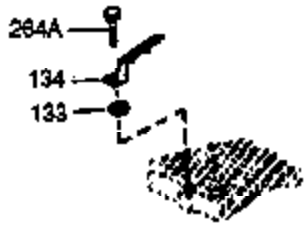


Engine Parts List #2

Ref #	Part Number	Qty	Description
	1 35966	1	Cylinder (Incl. 2, 20 & 72)
	2 27652	2	Dowel Pin
	72 27642	2	Oil Drain Plug
110A	36993	1	Ground Wire
111	611206	1	Oil Sensor Switch (Incl. 112)
111B	611224	1	Rocker On/Off Switch
	112 35967	1	* Oil Sensor Gasket
	113 650950	4	Screw, Torx T-25, 10-24 x 5/8"
	169 27896A	2	* Breather Gasket
	170 28423	1	Breather Body
	171 28424	1	Breather Element
	172 28425	1	Valve Cover
	174 650128	2	Screw, 10-24 x 1/2"
	178 29752	2	Nut & Lock Washer, 1/4-28
	207 33878	1	Throttle Link
	239 27272A	1	* Air Cleaner Gasket
	240 33266	1	Air Cleaner Body
	242 33267	1	Air Cleaner Bracket
	243 28820	2	Screw, 10-32 x 1/2"
	245 33268	1	Air Cleaner Filter
	250 33269A	1	Air Cleaner Cover
	251 650513	1	Wing Nut, 1/4-20
	275 34185B	1	Muffler
	276 31588	1	Locking Plate
	279 650729	2	Screw, 5/16-18 x 3-3/16"
	290 29774	1	Fuel Line
	292 26460	2	Fuel Line Clamp
	380 640152A	1	Carburetor (Incl. 184)
	420 730225A	1	SAE 30 4-Cycle Engine Oil (Quart)

ILLUSTRATION SHOWS TYPICAL PARTS ONLY. ORDER BY PART NUMBER. PARTS NOT LISTED ARE SUPPLIED BY OEM.

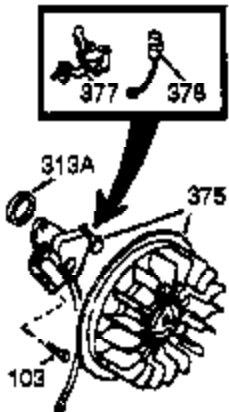
VIEW 3 OF 4



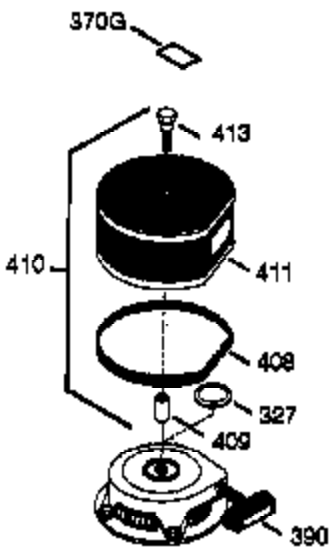
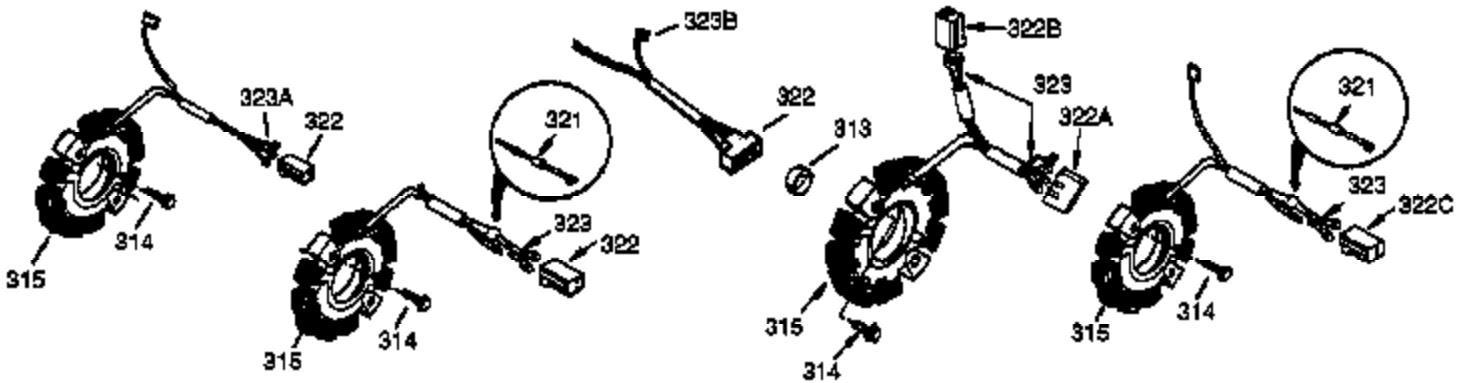
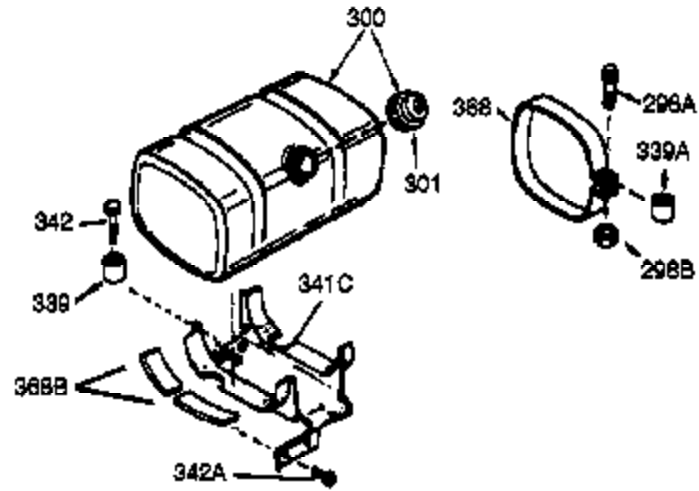
Ref #	Part Number	Qty	Description
16	33454A	1	Governor Lever Ass'y.
17	29916	1	Governor Lever Clamp
18	651028	1	Screw, Torx T-15, 8-32 x 3/8"
28	30322	1	Lock Nut, 8-32
30	35441A	1	Crankshaft
35	29826	1	Screw, 10-32 x 3/4"
36	29918	1	Lock Washer
37	29216	1	Lock Nut, 10-32
38	29642	1	Retaining Ring
69	37342	1	* Cylinder Cover Gasket
70	35376	1	Cylinder Cover (Incl. 71, 75 & 80)
75	35319	1	Oil Seal
86	650833	7	Screw, 1/4-20 x 1-3/16"
87	650832	1	Screw, 1/4-20 x 1-11/16"
89	32589	1	Flywheel Key
92	650880	1	Belleville Washer
110A	36993	1	Ground Wire
111B	611224	1	Rocker On/Off Switch
130B	651031	1	Screw, 1/4-20 x 9/16"
264A	650802	1	Screw, 1/4-20 x 5/8"
279	650729	2	Screw, 5/16-18 x 3-3/16"
285	35985B	1	Starter Cup
290	29774	1	Fuel Line
292	26460	2	Fuel Line Clamp
390	590746	1	Rewind Starter (NOTE: This engine could have been built with 590704 starter.)
416	34479A	1	Spark Arrestor Kit (Optional)
420	730225A	1	SAE 30 4-Cycle Engine Oil (Quart)

ILLUSTRATION SHOWS TYPICAL PARTS ONLY. ORDER BY PART NUMBER. PARTS NOT LISTED ARE SUPPLIED BY OEM.

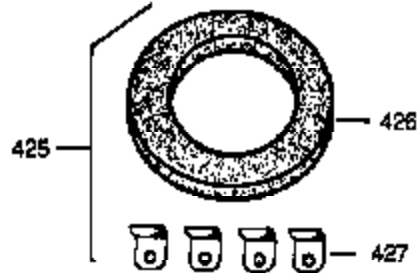
VIEW 4 OF 4



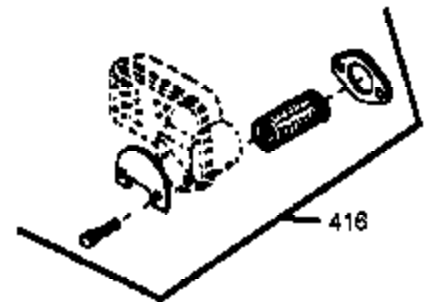
STD. POINT



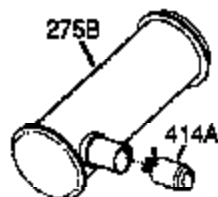
OPTIONAL DEBRIS SCREEN KIT



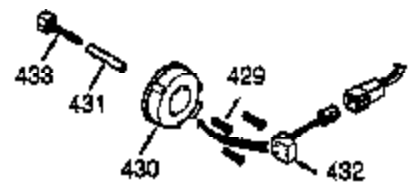
OPTIONAL STARTER MUFF KIT



OPTIONAL SPARK ARRESTOR KIT



OPTIONAL QUIET MUFFLER



OPTIONAL ADD-ON ALTERNATOR AC LIGHTING OR DC CHARGING

Ref #	Part Number	Qty	Description
103	651007	2	Screw, Torx T-15, 10-24 x 15/16"
110A	36993	1	Ground Wire
111B	611224	1	Rocker On/Off Switch
279	650729	2	Screw, 5/16-18 x 3-3/16"
342	30063	1	Screw, Torx T-30, 1/4-20 x 1/2"
370G	35274	1	Oil Instruction Decal
390	590746	1	Rewind Starter (NOTE: This engine could have been built with 590704 starter.)
416	34479A	1	Spark Arrestor Kit (Optional)
420	730225A	1	SAE 30 4-Cycle Engine Oil (Quart)