

Engine Parts List #1

Ref #	Part Number	Qty	Description
1	35385	1	Cylinder (Incl. 2, 20 & 72)
2	27652	2	Dowel Pin
14	28277	1	Washer
15A	30700	1	Governor Yoke
15	30699C	1	Governor Rod (Incl. 15A & 15B)
15B	650494	1	Screw, 6-40 x 5/16"
16	33454	1	Governor Lever
17	29916	1	Governor Lever Clamp
18	651028	1	Screw, Torx T-15, 8-32 x 3/8"
19	34663	1	Throttle Spring
19A	33857	1	Throttle Spring
20	35319	1	Oil Seal
25	36460	1	Blower Housing Baffle
26	650561	2	Screw, 1/4-20 x 5/8"
28	30322	1	Lock Nut, 8-32
30	35420A	1	Crankshaft
35	29826	1	Screw, 10-32 x 3/4"
37	29216	1	Lock Nut, 10-32
38	29642	1	Retaining Ring
40	40011	1	Piston, Pin & Ring Set (Std.)
40	40012	1	Piston, Pin & Ring Set (.010" OS)
41	40009	1	Piston & Pin Ass'y. (Std.) (Incl. 43)
41	40010	1	Piston & Pin Ass'y. (.010" OS) (Incl. 43)
42	40013	1	Ring Set (Std.)
42	40014	1	Ring Set (.010" OS)
43	27888	2	Piston Pin Retaining Ring
45	36897	1	Connecting Rod Ass'y. (Incl. 47 & 49)
47	651033	2	Connecting Rod Bolt
48	34034	2	Valve Lifter
49	36896	1	Oil Dipper
50	35375	1	Camshaft (MCR)
60	33273A	1	Blower Housing Extension
62	650760	1	Screw, 8-32 x 3/8"
63	28545	1	Grommet
65	650128	1	Screw, 10-24 x 1/2"
69	35262A	1	* Cylinder Cover Gasket
70	33626B	1	Cylinder Cover (Incl. 74, 76, 80, 175 & 176)
72	27642	2	Oil Drain Plug
80	31845	1	Governor Shaft
81	30590A	1	Washer
82	35378	1	Governor Gear Ass'y. (Incl. 81)
83	30588A	1	Governor Spool
84	29193	1	Retaining Ring
86	650833	7	Screw, 1/4-20 x 1-3/16"
87	650832	1	Screw, 1/4-20 x 1-11/16"
89	32589	1	Flywheel Key
90	611094	1	Flywheel
92	650880	1	Lock Washer
93	650881	1	Flywheel Nut
100	35135	1	Solid State Ignition
101	610118	1	Spark Plug Cover
102	651024	2	Solid State Mounting Stud
103	651007	2	Screw, Torx T-15, 10-24 x 15/16"
110	35234	1	Ground Wire
119	36448	1	* Cylinder Head Gasket
120	36449	1	Cylinder Head
125	27878A	1	Exhaust Valve (Std.) (Incl. 151)
125	27880A	1	Exhaust Valve (1/32" OS) (Incl. 151)

Engine Parts List #1

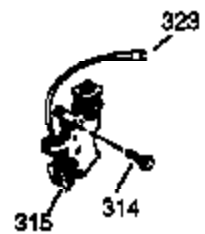
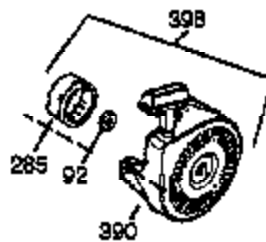
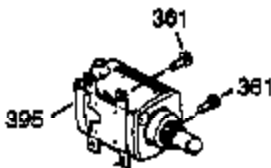
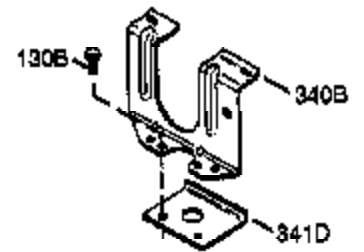
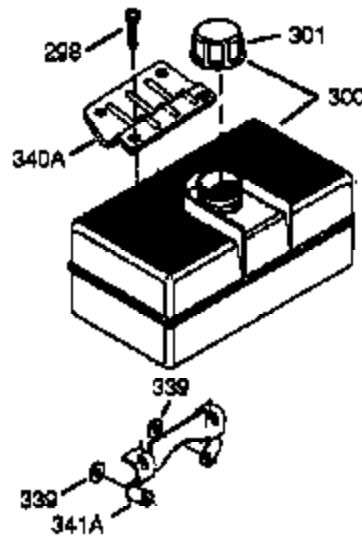
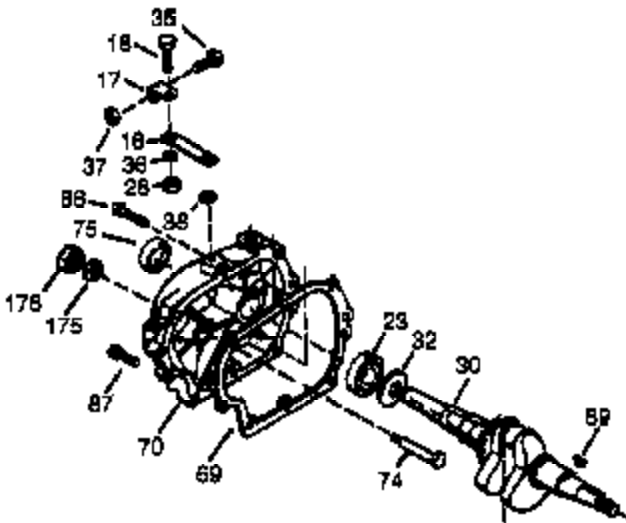
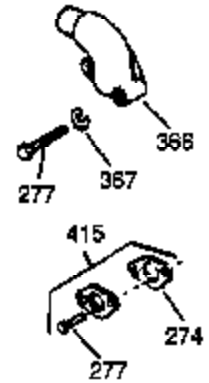
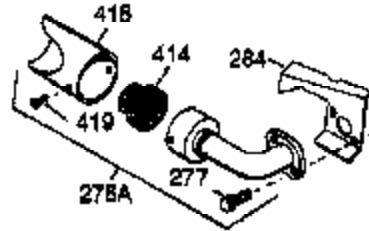
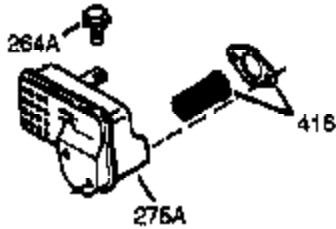
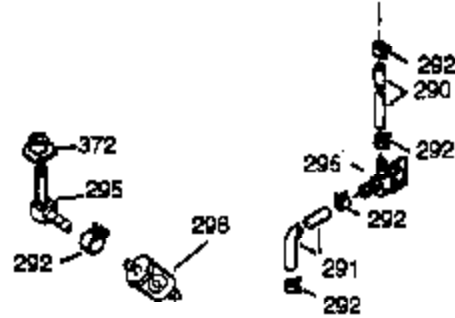
Ref #	Part Number	Qty	Description
126	34035	1	Intake Valve (Std.) (Incl. 151)
126	34036	1	Intake Valve (1/32" OS) (Incl. 151)
127	650691	9	Washer
128	650690	5	Belleville Washer
130A	650727	4	Screw, 5/16-18 x 1-3/4"
130	650694A	5	Screw, 5/16-18 x 2"
130B	651055	2	Screw, 5/16-18 x 5/8"
135	33636	1	Resistor Spark Plug (RJ17LM)
139	33369	1	Governor Gear Bracket
140	650836	2	Screw, 10-24 x 1/2"
149	27882	1	Valve Spring Cap
149A	35862	1	Valve Spring Cap
150	27881	2	Valve Spring
151	32581	2	Valve Spring Keeper
169	27896A	2	* Breather Gasket
170	28423	1	Breather Body
171	28424	1	Breather Element
172	28425	1	Valve Cover
173	32447	1	Breather Tube
173A	32446	2	Breather Tube Grommet
174	650128	2	Screw, 10-24 x 1/2"
182	650517	2	Screw, Torx T-30, 1/4-20 x 27/32"
184	33263	1	* Carburetor To Intake Pipe Gasket
186	34661	1	Governor Link
200	34784	1	Control Bracket (Incl. 203, 204, 206 & 209)
203	31342	1	Compression Spring
204	651029	1	Screw, Torx T-10, 5-40 x 7/16"
207	34785	1	Choke Link
209	650821	2	Screw, 10-32 x 1/2"
210	27793	1	Conduit Clip
211	28942	1	Screw, 10-32 x 3/8"
223	650378	2	Screw, Torx T-30, 5/16-18 x 1-1/8"
224	27915A	1	* Intake Pipe Gasket
260	33375D	1	Blower Housing
261	650788	2	Screw, 5/16-18 x 3/4"
262	29747B	2	Screw, Torx T-40, 5/16-24 x 21/32"
265	33272B	1	Cylinder Head Cover
275	37150	1	Muffler
277A	650902	2	Screw, 10-32 x 7/16"
277	650273	2	Screw, 5/16-18 x 5/8"
278	26073	1	Washer
280	37077	1	Heat Shield
284A	30196	2	Screw, 5/16-18 x 3/4"
285	35985B	1	Starter Cup
287	29752	4	Nut & Lock Washer, 1/4-28
294	35791	1	Pulse Pump Repair Kit
300	34186A	1	Fuel Tank (Incl. 292 & 301)
301	35650	1	Fuel Cap
304	35480	1	Fuel Cap Retainer
305	35554	1	Oil Fill Tube
307	35499	1	"O" Ring
308	35540	1	Fill Tube Clip
310	36205	1	Dipstick
319	650735	2	Screw, 10-24 x 3/8"
320	611175	1	Regulator
324	33177	1	Terminal
325	34246	1	Wire Clip
340	34154	1	Fuel Tank Bracket

Ref #	Part Number	Qty	Description
341	34155	1	Fuel Tank Bracket
342	650561	1	Screw, 1/4-20 x 5/8"
361	650990	4	Screw, Torx T-30, 1/4-20 x 15/32"
364	33377	1	Carburetor Cover
370K	36695	1	Starter Decal
370G	35274	1	Instruction Decal
380	640108	1	Carburetor (Incl. 184)
390	590746	1	Rewind Starter (NOTE: This engine could have been built with 590704 starter.)
400	36450B	1	* Gasket Set (Incl. items marked PK in notes) Incl. part #'s 27272A (1), 27896A (2), 27915A (1), 29673 (1), 33263 (1), 33629 (1), 34698A (1), 35262A (1), 36448 (1)
420	730225A	1	SAE 30 4-Cycle Engine Oil (Quart)

Ref #	Part Number	Qty	Description
1	35385	1	Cylinder (Incl. 2, 20 & 72)
2	27652	2	Dowel Pin
19A	33857	1	Throttle Spring
72	27642	2	Oil Drain Plug
169	27896A	2	* Breather Gasket
170	28423	1	Breather Body
171	28424	1	Breather Element
172	28425	1	Valve Cover
173A	32446	2	Breather Tube Grommet
174	650128	2	Screw, 10-24 x 1/2"
207	34785	1	Choke Link
239	27272A	1	* Air Cleaner Gasket
240	37104	1	Air Cleaner Body
242	33267	1	Air Cleaner Bracket
243	28820	2	Screw, 10-32 x 1/2"
245A	35881	1	Air Cleaner Filter
245	33268	1	Air Cleaner Filter
250	33269A	1	Air Cleaner Cover
251	650513	1	Wing Nut, 1/4-20
272	30196	2	Screw, 5/16-18 x 3/4"
273	34349A	1	Carburetor Flange
275	37150	1	Muffler
277	650273	2	Screw, 5/16-18 x 5/8"
277A	650902	2	Screw, 10-32 x 7/16"
278	26073	1	Washer
280	37077	1	Heat Shield
284A	30196	2	Screw, 5/16-18 x 3/4"
290	29774	1	Fuel Line
291	30962	1	Fuel Line
292	26460	4	Fuel Line Clamp
293	35812	1	Pulse Pump (Incl. 294)
303	28566	1	Pulse Pump Fitting
308	35540	1	Fill Tube Clip
380	640108	1	Carburetor (Incl. 184)
420	730225A	1	SAE 30 4-Cycle Engine Oil (Quart)

ILLUSTRATION SHOWS TYPICAL PARTS ONLY. ORDER BY PART NUMBER. PARTS NOT LISTED ARE SUPPLIED BY OEM.

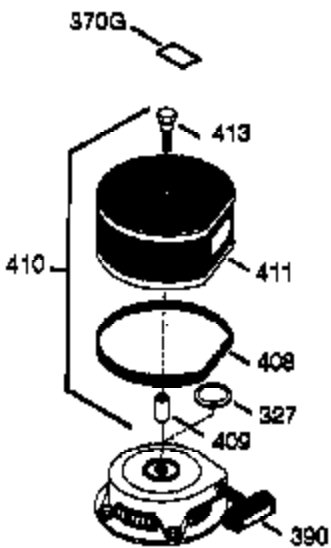
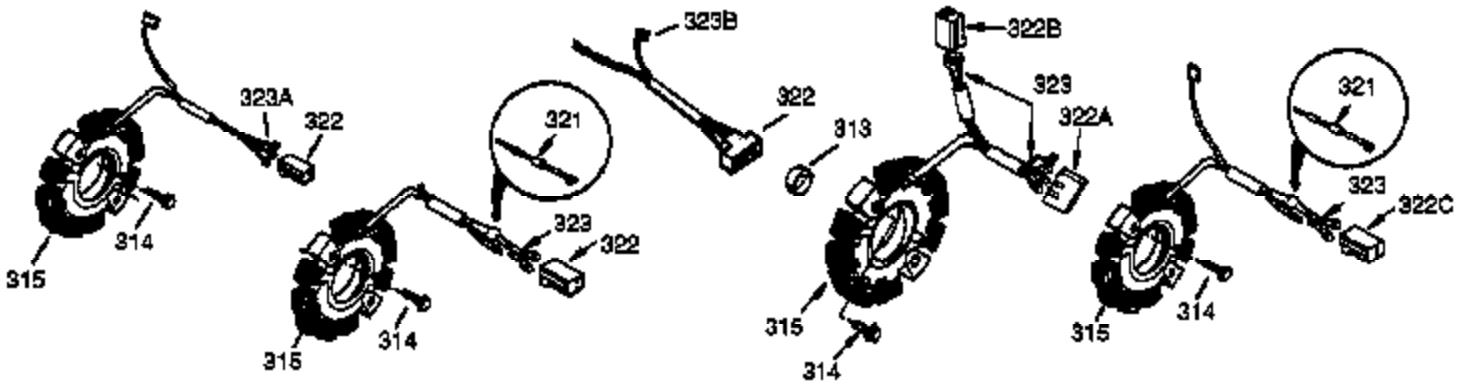
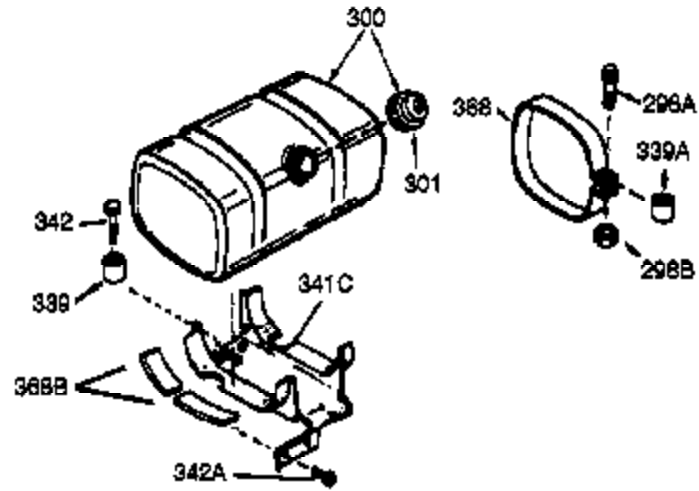
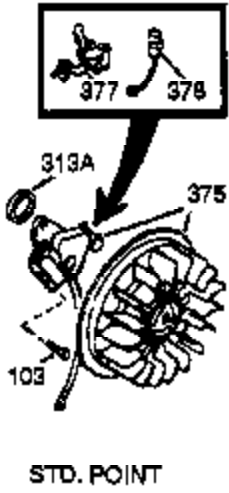
VIEW 3 OF 4



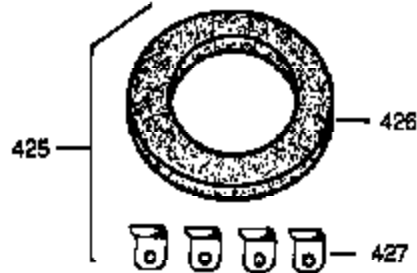
Ref #	Part Number	Qty	Description
	16 33454	1	Governor Lever
	17 29916	1	Governor Lever Clamp
	18 651028	1	Screw, Torx T-15, 8-32 x 3/8"
	19A 33857	1	Throttle Spring
	23 33627	1	Ball Bearing
	28 30322	1	Lock Nut, 8-32
	30 35420A	1	Crankshaft
	32 33628	1	Washer
	35 29826	1	Screw, 10-32 x 3/4"
	36 29918	1	Lock Washer
	37 29216	1	Lock Nut, 10-32
	38 29642	1	Retaining Ring
	69 35262A	1	* Cylinder Cover Gasket
	70 33626B	1	Cylinder Cover (Incl. 74, 76, 80, 175 & 176)
	74 31855	2	Bearing Retainer
	75 33625	1	Oil Seal
	86 650833	7	Screw, 1/4-20 x 1-3/16"
	87 650832	1	Screw, 1/4-20 x 1-11/16"
	89 32589	1	Flywheel Key
	92 650880	1	Lock Washer
	130B 651055	2	Screw, 5/16-18 x 5/8"
	173A 32446	2	Breather Tube Grommet
	175 650778	2	Lock Washer
	176 650580	2	Lock Nut, 10-24
	274 35865	1	Muffler Gasket
	277A 650902	2	Screw, 10-32 x 7/16"
	277 650273	2	Screw, 5/16-18 x 5/8"
	278 26073	1	Washer
	280 37077	1	Heat Shield
	284 34390	1	Muffler Deflector
	284A 30196	2	Screw, 5/16-18 x 3/4"
	285 35985B	1	Starter Cup
	290 29774	1	Fuel Line
	291 30962	1	Fuel Line
	292 26460	4	Fuel Line Clamp
	298 650665	2	Screw, 1/4-15 x 3/4"
	300 34186A	1	Fuel Tank (Incl. 292 & 301)
	301 35650	1	Fuel Cap
	308 35540	1	Fill Tube Clip
	314 650873	2	Screw, 1/4-20 x 3/4"
	315 611256	1	Alternator Coil (7 Amp)(Incl. 322 - 3 23B)
	323 610922	2	Terminal
	361 650990	4	Screw, Torx T-30, 1/4-20 x 15/32"
	390 590746	1	Rewind Starter (NOTE: This engine could have been built with 590704 starter.)
	395 36680	1	Electric Starter Motor (12 Volt)
	416 34479A	1	Spark Arrestor Kit (Optional)
	420 730225A	1	SAE 30 4-Cycle Engine Oil (Quart)

ILLUSTRATION SHOWS TYPICAL PARTS ONLY. ORDER BY PART NUMBER. PARTS NOT LISTED ARE SUPPLIED BY OEM.

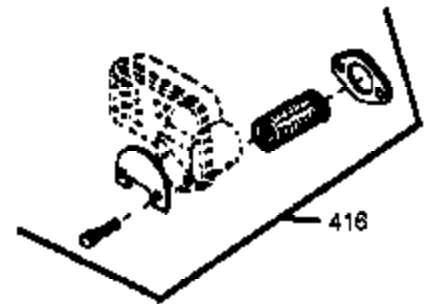
VIEW 4 OF 4



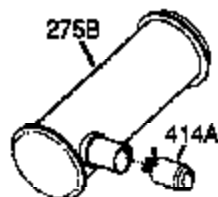
OPTIONAL DEBRIS SCREEN KIT



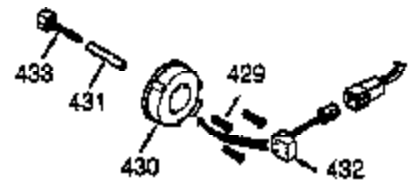
OPTIONAL STARTER MUFF KIT



OPTIONAL SPARK ARRESTOR KIT



OPTIONAL QUIET MUFFLER



OPTIONAL ADD-ON ALTERNATOR AC LIGHTING OR DC CHARGING

Engine Parts List #4

Ref #	Part Number	Qty	Description
19A	33857	1	Throttle Spring
103	651007	2	Screw, Torx T-15, 10-24 x 15/16"
173A	32446	2	Breather Tube Grommet
277A	650902	2	Screw, 10-32 x 7/16"
278	26073	1	Washer
280	37077	1	Heat Shield
284A	30196	2	Screw, 5/16-18 x 3/4"
300	34186A	1	Fuel Tank (Incl. 292 & 301)
301	35650	1	Fuel Cap
308	35540	1	Fill Tube Clip
314	650873	2	Screw, 1/4-20 x 3/4"
315	611256	1	Alternator Coil (7 Amp)(Incl. 322 - 3 23B)
322	610921	1	Connector Body
323B	611260	1	Terminal
323	610922	2	Terminal
323A	611259	1	Terminal
342	650561	1	Screw, 1/4-20 x 5/8"
370G	35274	1	Instruction Decal
390	590746	1	Rewind Starter (NOTE: This engine could have been built with 590704 starter.)
416	34479A	1	Spark Arrestor Kit (Optional)
420	730225A	1	SAE 30 4-Cycle Engine Oil (Quart)