



Engine Parts List #1

Ref #	Part Number	Qty	Description
	1 35385	1	Cylinder (Incl. 2, 20 & 72)
	2 27652	2	Dowel Pin
15B	650494	1	Screw, 6-40 x 5/16"
15A	30700	1	Governor Yoke
15	30699C	1	Governor Rod (Incl. 15A & 15B)
16	33454	1	Governor Lever
17	29916	1	Governor Lever Clamp
18	651028	1	Screw, Torx T-15, 8-32 x 3/8"
19	34663	1	Speed Control Spring
20	35319	1	Oil Seal
25	36460	1	Blower Housing Baffle
26	650561	2	Screw, 1/4-20 x 5/8"
28	30322	1	Lock Nut, 8-32
30	35420A	1	Crankshaft
35	29826	1	Screw, 10-32 x 3/4"
37	29216	1	Lock Nut, 10-32
38	29642	1	Retaining Ring
40	40011	1	Piston, Pin & Ring Set (Std.)
40	40012	1	Piston, Pin & Ring Set (.010" OS)
41	40009	1	Piston & Pin Ass'y. (Std.) (Incl. 43)
41	40010	1	Piston & Pin Ass'y. (.010" OS) (Incl. 43)
42	40013	1	Ring Set (Std.)
42	40014	1	Ring Set (.010" OS)
43	27888	2	Piston Pin Retaining Ring
45	36897	1	Connecting Rod Ass'y. (Incl. 47 & 49)
47	651033	2	Connecting Rod Bolt
48	34034	2	Valve Lifter
49	36896	1	Oil Dipper
50	35375	1	Camshaft (MCR)
60	33273A	1	Blower Housing Extension
65	650128	1	Screw, 10-24 x 1/2"
69	35262A	1	* Cylinder Cover Gasket
70	33626B	1	Cylinder Cover (Incl. 74, 75, 80, 175 & 176)
72	27642	2	Oil Drain Plug
80	31845	1	Governor Shaft
81	30590A	1	Washer
82	35378	1	Governor Gear Ass'y. (Incl. 81)
83	30588A	1	Governor Spool
84	29193	1	Retaining Ring
86	650833	7	Screw, 1/4-20 x 1-3/16"
87	650832	1	Screw, 1/4-20 x 1-11/16"
89	32589	1	Flywheel Key
90	611090	1	Flywheel
92	650880	1	Lock Washer
93	650881	1	Flywheel Nut
100	35135	1	Solid State Ignition
101	610118	1	Spark Plug Cover
102	651024	2	Solid State Mounting Stud
103	651007	2	Screw, Torx T-15, 10-24 x 15/16"
110	35187	1	Ground Wire
119	36448	1	* Cylinder Head Gasket
120	36449	1	Cylinder Head
125	27878A	1	Exhaust Valve (Std.) (Incl. 151)
125	27880A	1	Exhaust Valve (1/32" OS) (Incl. 151)
126	34035	1	Intake Valve (Std.) (Incl. 151)
126	34036	1	Intake Valve (1/32" OS) (Incl. 151)
127	650691	9	Washer
128	650690	7	Belleville Washer

Ref #	Part Number	Qty	Description
130	650694A	7	Screw, 5/16-18 x 2"
130B	651055	2	Screw, 5/16-18 x 5/8"
130A	650727	2	Screw, 5/16-18 x 1-3/4"
135	33636	1	Resistor Spark Plug (RJ-17LM)
139	33369	1	Governor Gear Bracket
140	650836	2	Screw, 10-24 x 1/2"
149A	35862	1	Valve Spring Cap
149	27882	1	Valve Spring Cap
150	27881	2	Valve Spring
151	32581	2	Valve Spring Keeper
169	27896A	2	* Breather Gasket
170	28423	1	Breather Body
171	28424	1	Breather Element
172	28425	1	Valve Cover
173	35350	1	Breather Tube
174	650128	2	Screw, 10-24 x 1/2"
178	29752	2	Nut & Lock Washer, 1/4-28
182	30088A	2	Screw, 1/4-28 x 1"
184	33263	1	* Carburetor To Intake Pipe Gasket
185	34707	1	Intake Pipe
186	34661	1	Governor Link
200	34677	1	Control Bracket (Incl. 19, 203 & 204)
203	31342	1	Compression Spring
204	651029	1	Screw, Torx T-10, 5-40 x 7/16"
206	610973	1	Terminal
207	33878	1	Choke Link
209	650821	2	Screw, 10-32 x 1/2"
215	32410	1	Control Knob
223	650378	2	Screw, Torx T-30, 5/16-18 x 1-1/8"
224	27915A	1	* Intake Pipe Gasket
260	33375D	1	Blower Housing
261	650788	2	Screw, 5/16-18 x 3/4"
262	29747B	2	Screw, Torx T-40, 5/16-24 x 21/32"
265	33272B	1	Cylinder Head Cover
275	34185B	1	Muffler
276	31588	1	Locking Plate
277	650729	1	Screw, 5/16-18 x 3-3/16"
281	33013	1	Starter Bubble Cover
282	650760	1	Screw, 8-32 x 3/8"
285	35985B	1	Starter Cup
287	29752	4	Nut & Lock Washer, 1/4-28
300	34156A	1	Fuel Tank (Incl. 292 & 301)
301	36246	1	Fuel Cap
305	35554	1	Oil Fill Tube
307	35499	1	"O" Ring
308	35540	1	Fill Tube Clip
310	36205	1	Dipstick
325	29443	1	Wire Clip
340	34154	1	Fuel Tank Bracket
341	34155	1	Fuel Tank Bracket
342	650561	1	Screw, 1/4-20 x 19/32"
370	35532	1	Name Decal
370K	36695	1	Starter Decal
370G	35274	1	Oil Instruction Decal
370J	35703	1	Throttle Decal
380	632351	1	Carburetor (Incl. 184)

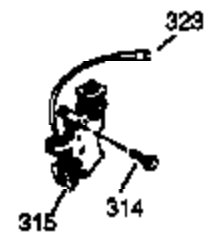
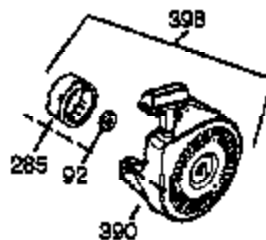
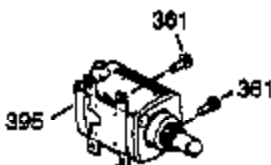
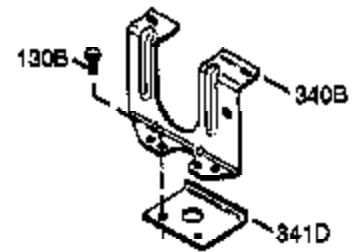
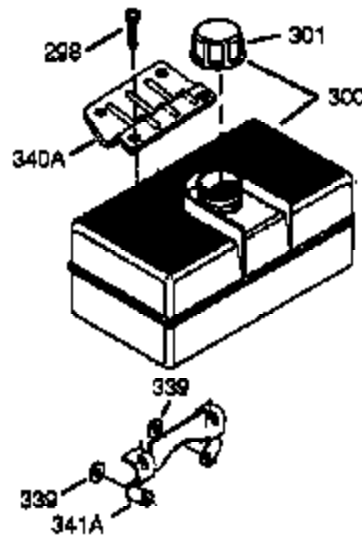
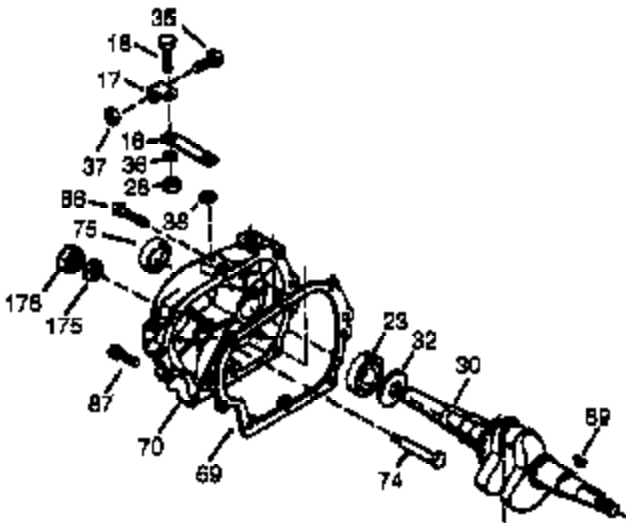
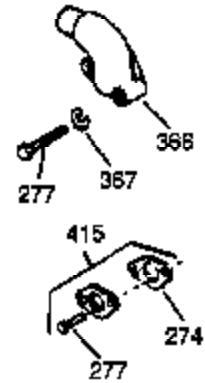
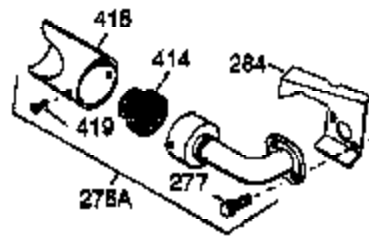
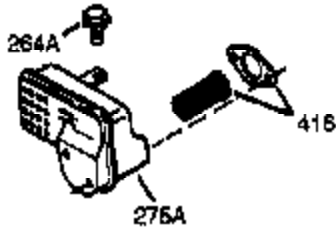
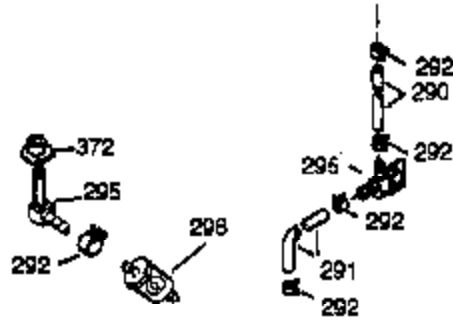
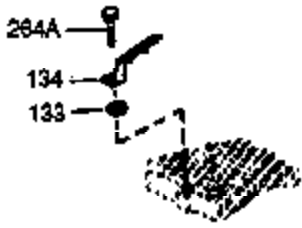
Ref #	Part Number	Qty	Description
390	590746	1	Rewind Starter (NOTE: This engine could have been built with 590704 starter.)
400	36450B	1	* Gasket Set (Incl. items marked PK in notes) Incl. part #'s 27272A (1), 27896A (2), 27915A (1), 29673 (1), 33263 (1), 33629 (1), 34698A (1), 35262A (1), 36448 (1)
420	730225	1	SAE 30 4-Cycle Engine Oil (Quart)

Engine Parts List #2

Ref #	Part Number	Qty	Description
1	35385	1	Cylinder (Incl. 2, 20 & 72)
2	27652	2	Dowel Pin
72	27642	2	Oil Drain Plug
169	27896A	2	* Breather Gasket
170	28423	1	Breather Body
171	28424	1	Breather Element
172	28425	1	Valve Cover
174	650128	2	Screw, 10-24 x 1/2"
178	29752	2	Nut & Lock Washer, 1/4-28
207	33878	1	Choke Link
239	27272A	1	* Air Cleaner Gasket
242	33267	1	Air Cleaner Bracket
243	28820	2	Screw, 10-32 x 1/2"
245A	35881	1	Air Cleaner Filter
245	33268	1	Air Cleaner Filter
250	33269A	1	Air Cleaner Cover
251	650513	1	Wing Nut, 1/4-20
275	34185B	1	Muffler
276	31588	1	Locking Plate
277	650729	1	Screw, 5/16-18 x 3-3/16"
290	30705	1	Fuel Line
291	29774	1	Fuel Line
292	26460	4	Fuel Line Clamp
308	35540	1	Fill Tube Clip
380	632351	1	Carburetor (Incl. 184)
420	730225	1	SAE 30 4-Cycle Engine Oil (Quart)

ILLUSTRATION SHOWS TYPICAL PARTS ONLY. ORDER BY PART NUMBER. PARTS NOT LISTED ARE SUPPLIED BY OEM.

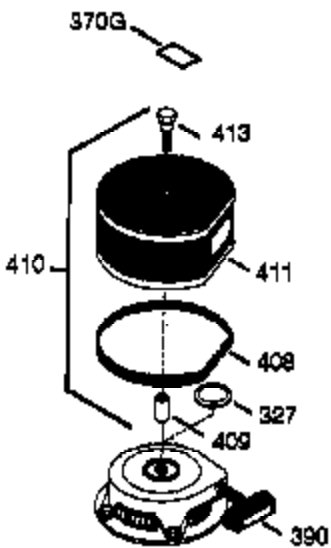
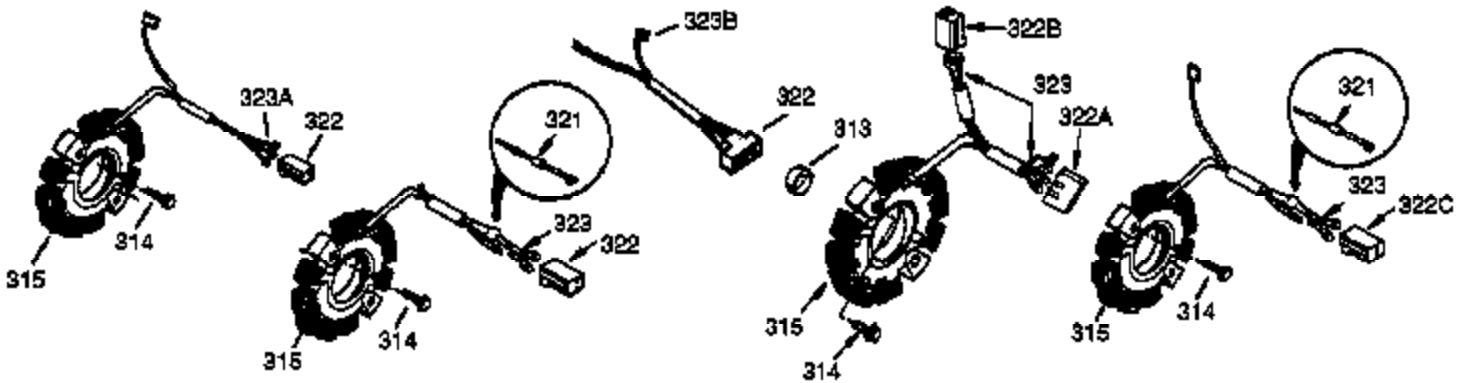
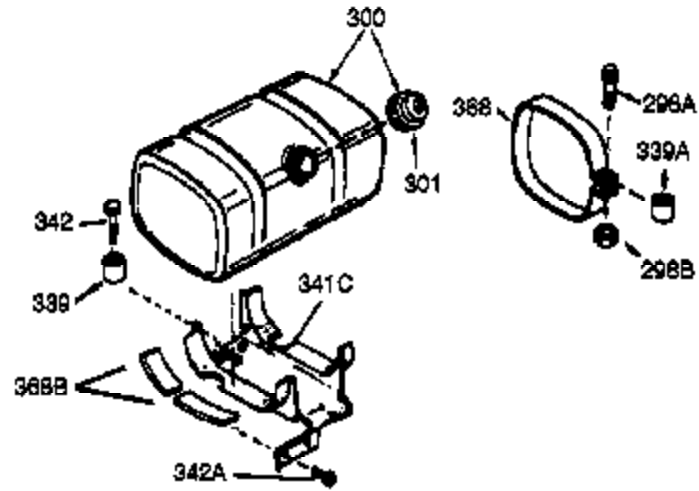
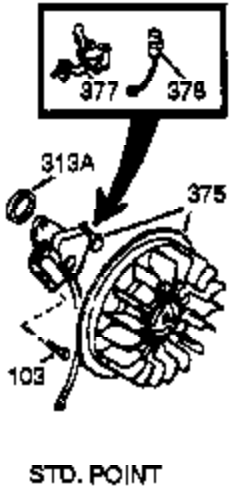
VIEW 3 OF 4



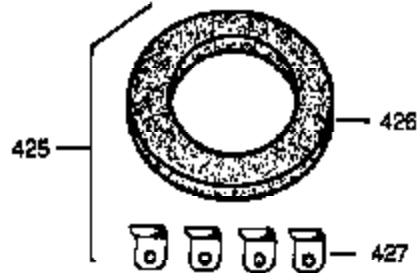
Ref #	Part Number	Qty	Description
16	33454	1	Governor Lever
17	29916	1	Governor Lever Clamp
18	651028	1	Screw, Torx T-15, 8-32 x 3/8"
23	33627	1	Ball Bearing
28	30322	1	Lock Nut, 8-32
30	35420A	1	Crankshaft
32	33628	1	Washer
35	29826	1	Screw, 10-32 x 3/4"
36	29918	1	Lock Washer
37	29216	1	Lock Nut, 10-32
38	29642	1	Retaining Ring
69	35262A	1	* Cylinder Cover Gasket
70	33626B	1	Cylinder Cover (Incl. 74, 75, 80, 175 & 176)
74	31855	2	Bearing Retainer
75	33625	1	Oil Seal
86	650833	7	Screw, 1/4-20 x 1-3/16"
87	650832	1	Screw, 1/4-20 x 1-11/16"
89	32589	1	Flywheel Key
92	650880	1	Lock Washer
130B	651055	2	Screw, 5/16-18 x 5/8"
175	650778	2	Lock Washer
176	650580	2	Lock Nut, 10-24
264A	650802	1	Screw, 1/4-20 x 5/8"
277	650729	1	Screw, 5/16-18 x 3-3/16"
285	35985B	1	Starter Cup
290	30705	1	Fuel Line
291	29774	1	Fuel Line
292	26460	4	Fuel Line Clamp
295	35857	1	Fuel Shut-Off Valve
298	650665	2	Screw, 1/4-15 x 3/4"
300	34156A	1	Fuel Tank (Incl. 292 & 301)
301	36246	1	Fuel Cap
308	35540	1	Fill Tube Clip
390	590746	1	Rewind Starter (NOTE: This engine could have been built with 590704 starter.)
420	730225	1	SAE 30 4-Cycle Engine Oil (Quart)

ILLUSTRATION SHOWS TYPICAL PARTS ONLY. ORDER BY PART NUMBER. PARTS NOT LISTED ARE SUPPLIED BY OEM.

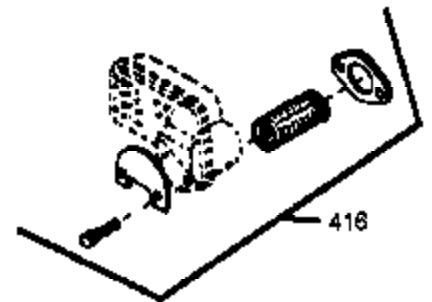
VIEW 4 OF 4



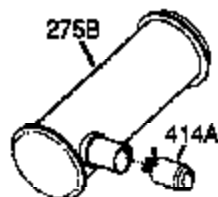
OPTIONAL DEBRIS SCREEN KIT



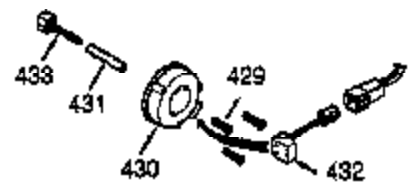
OPTIONAL STARTER MUFF KIT



OPTIONAL SPARK ARRESTOR KIT



OPTIONAL QUIET MUFFLER



OPTIONAL ADD-ON ALTERNATOR AC LIGHTING OR DC CHARGING

Ref #	Part Number	Qty	Description
103	651007	2	Screw, Torx T-15, 10-24 x 15/16"
300	34156A	1	Fuel Tank (Incl. 292 & 301)
301	36246	1	Fuel Cap
308	35540	1	Fill Tube Clip
342	650561	1	Screw, 1/4-20 x 19/32"
370G	35274	1	Oil Instruction Decal
390	590746	1	Rewind Starter (NOTE: This engine could have been built with 590704 starter.)
420	730225	1	SAE 30 4-Cycle Engine Oil (Quart)