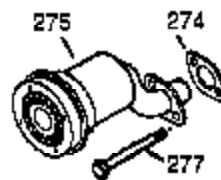
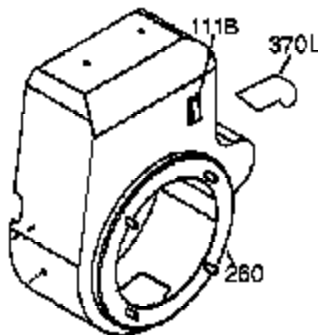
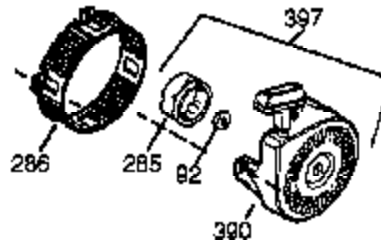
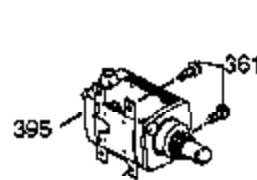
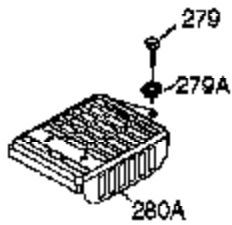
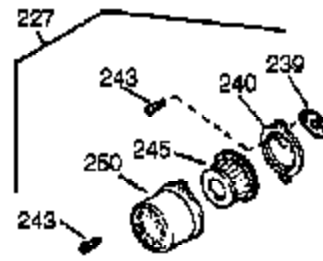
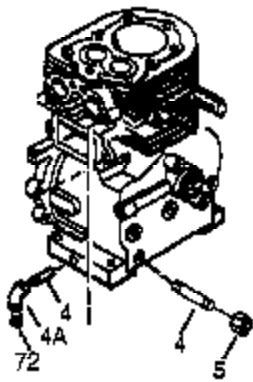


Ref #	Part Number	Qty	Description
1	35385	1	Cylinder (Incl. 2, 20 & 72)
2	27652	2	Dowel Pin
14	28277	1	Washer
15A	30700	1	Governor Yoke
15	30699C	1	Governor Rod (Incl. 15A & 15B)
15B	650494	1	Screw, 6-40 x 5/16"
16	37255A	1	Governor Lever (Incl. 212A)
17	29916	1	Governor Lever Clamp
18	651028	1	Screw, T-15, 8-32 x 7/16"
19	34663	1	Speed Control Spring
20	35319	1	Oil Seal
25	37706	1	Blower Housing Baffle (Incl. 325)
26	650561	2	Screw, 1/4-20 x 19/32"
28	30322	1	Lock Nut, 8-32
30	35420A	1	Crankshaft
35	29826	1	Screw, 10-32 x 3/4"
36	29918	1	Lock Washer
37	29216	1	Lock Nut, 10-32
38	29642	1	Retaining Ring
40	40011	1	Piston, Pin & Ring Set (Std.)
40	40012	1	Piston, Pin & Ring Set (.010" OS)
41	40009	1	Piston & Pin Ass'y. (Std.) (Incl. 43)
41	40010	1	Piston & Pin Ass'y. (.010" OS) (Incl. 43)
42	40013	1	Ring Set (Std.)
42	40014	1	Ring Set (.010" OS)
43	27888	2	Piston Pin Retaining Ring
45	36897	1	Connecting Rod Ass'y. (Incl. 47 & 49)
47	651033	2	Connecting Rod Bolt
48	34034	2	Valve Lifter
49	36896	1	Oil Dipper
50	35375	1	Camshaft (MCR)
60	33273A	1	Blower Housing Extension
65	650128	1	Screw, 10-24 x 1/2"
69	37342	1	* Cylinder Cover Gasket
70	33626C	1	Cylinder Cover (Incl. 74,75,80-84,175 & 176)
72	27642	2	Oil Drain Plug
75	33625	1	Oil Seal
80	37587	1	Governor Shaft
81	651080	1	Washer
82	37588	1	Governor Gear Ass'y. (Incl. 81)
83	30588A	1	Governor Spool
84	29193	1	Retaining Ring
86	650833	7	Screw, 1/4-20 x 1-3/16"
87	650832	1	Screw, 1/4-20 x 1-11/16"
89	32589	1	Flywheel Key
90	611090	1	Flywheel
92	650880	1	Lock Washer
93	650881	1	Flywheel Nut
100	35135A	1	Solid State Ignition (Incl. 101)
101	610118	1	Spark Plug Cover
102	651024	2	Solid State Mounting Stud
103	651007	2	Screw, T-15, 10-24 x 15/16"
110	35187	1	Ground Wire
119	36448	1	* Cylinder Head Gasket
120	36449	1	Cylinder Head
125	27878A	1	Exhaust Valve (Std.) (Incl. 151)
125	27880A	1	Exhaust Valve (1/32" OS) (Incl. 151)
126	34035	1	Intake Valve (Std.) (Incl. 151)

Engine Parts List #1

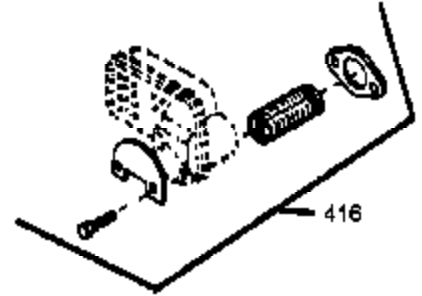
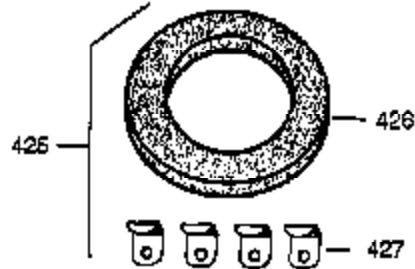
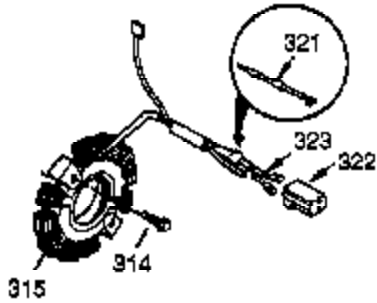
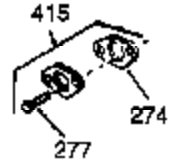
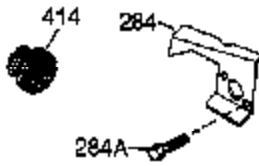
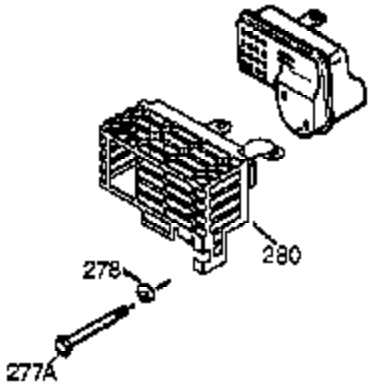
Ref #	Part Number	Qty	Description
127	650691	9	Washer
128	650690	7	Belleville Washer
130	650694A	7	Screw, 5/16-18 x 2"
130B	650273	2	Screw, 5/16-18 x 17/32"
130A	650727	2	Screw, 5/16-18 x 1-25/32"
135	33636	1	Resistor Spark Plug (RJ17LM)
139	33369	1	Governor Gear Bracket
140	650836	2	Screw, 10-24 x 1/2"
149	27882	1	Valve Spring Cap
149A	35862	1	Valve Spring Cap
150	27881	2	Valve Spring
151	32581	2	Valve Spring Keeper
169	27896A	2	* Valve Cover Gasket
170	28423	1	Breather Body
171	28424	1	Breather Element
172	28425	1	Valve Cover
173	35350	1	Breather Tube
174	650128	2	Screw, 10-24 x 1/2"
178	29752	2	Nut & Lock Washer, 1/4-28
182	30088A	2	Screw, 1/4-28 x 1"
184	33263	1	* Carburetor To Intake Pipe Gasket
185	34707	1	Intake Pipe
186	34661	1	Governor Link
200	34677	1	Control Bracket (Incl. 19, 203, 204 & 206)
203	31342	1	Compression Spring
204	651029	1	Screw, T-10, 5-40 x 7/16"
206	610973	1	Terminal
207	37448	1	Throttle Link
209	650821	2	Screw, 10-32 x 1/2"
212A	36288	1	Bushing
215	32410	1	Control Knob
223	650378	2	Screw, T-30, 5/16-18 x 1-3/32"
224	27915A	1	* Intake Pipe Gasket
239	27272A	1	* Air Cleaner Gasket
242	33267	1	Air Cleaner Bracket
243	651081	2	Screw, 10-32 x 15/32"
245	33268	1	Air Cleaner Filter
250	33269A	1	Air Cleaner Cover
251	37444	1	Wing Nut, 1/4-20
260	33375D	1	Blower Housing
261	650788	2	Screw, 5/16-18 x 3/4"
262	651084	2	Screw, 5/16-18 x 9/16"
264A	650802	1	Screw, 1/4-20 x 5/8"
265	33272D	1	Cylinder Head Cover
276	31588	1	Locking Plate
277	650729	2	Screw, 5/16-18 x 3-3/16"
281	33013	1	Starter Bubble Cover
282	650760	1	Screw, 8-32 x 3/8"
285	35985B	1	Starter Cup
287	29752	4	Nut & Lock Washer, 1/4-28
298	650665	2	Screw, 1/4-15 x 3/4"
300	34186A	1	Fuel Tank (Incl. 292 & 301)
301	35355	1	Fuel Cap
305	35554	1	Oil Fill Tube
307	35499	1	"O" Ring
308	35540	1	Fill Tube Clip
310	36205	1	Dipstick
311	35941	1	Dipstick

Ref #	Part Number	Qty	Description
325	29443	1	Wire Clip
340	34154	1	Fuel Tank Bracket
341	34155	1	Fuel Tank Bracket
342	650561	1	Screw, 1/4-20 x 19/32"
370G	35274	1	Oil Instruction Decal
370K	36695	1	Starter Decal
370	36261	1	Identification Decal
370J	35703	1	Throttle Decal
380	640260A	1	Carburetor (Incl. 184 & 212A)
390	590746	1	Rewind Starter (NOTE: This engine could have been built with 590704 starter.)
400	36450C	1	* Gasket Set (Incl. items marked PK i n notes)
420	730225A	1	SAE 30 4-Cycle Engine Oil (Quart)



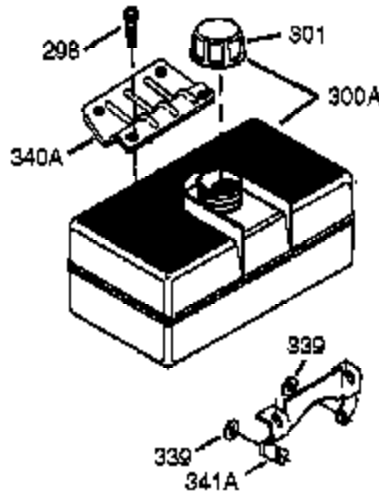
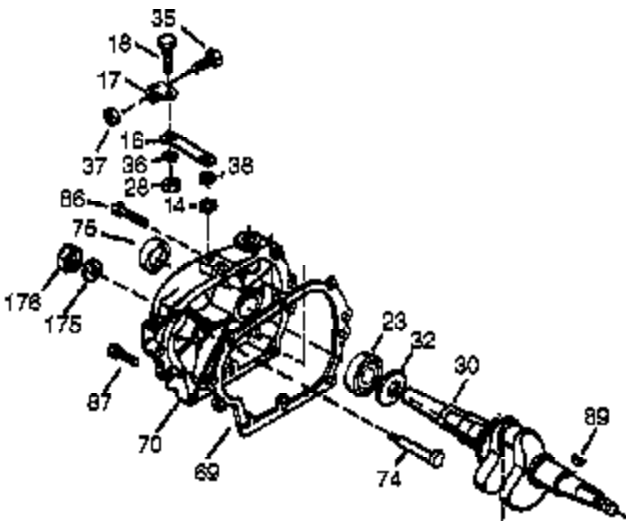
Engine Parts List #2

Ref #	Part Number	Qty	Description
72	27642	2	Oil Drain Plug
84	29193	1	Retaining Ring
92	650880	1	Lock Washer
239	27272A	1	* Air Cleaner Gasket
240	33266	1	Air Cleaner Bracket
243	651081	2	Screw, 10-32 x 15/32"
245	33268	1	Air Cleaner Filter
250	33269A	1	Air Cleaner Cover
251	37444	1	Wing Nut, 1/4-20
260	33375D	1	Blower Housing
275	34185B	1	Muffler
277	650729	2	Screw, 5/16-18 x 3-3/16"
285	35985B	1	Starter Cup
290	30962	1	Fuel Line
292	26460	2	Fuel Line Clamp
380	640260A	1	Carburetor (Incl. 184 & 212A)
390	590746	1	Rewind Starter (NOTE: This engine could have been built with 590704 starter.)



OPTIONAL
STARTER MUFF KIT

OPTIONAL
SPARK ARRESTOR KIT



Ref #	Part Number	Qty	Description
14	28277	1	Washer
16	37255A	1	Governor Lever (Incl. 212A)
17	29916	1	Governor Lever Clamp
18	651028	1	Screw, T-15, 8-32 x 7/16"
23	33627	1	Ball Bearing
28	30322	1	Lock Nut, 8-32
30	35420A	1	Crankshaft
32	33628	1	Washer
35	29826	1	Screw, 10-32 x 3/4"
36	29918	1	Lock Washer
37	29216	1	Lock Nut, 10-32
38	29642	1	Retaining Ring
69	37342	1	* Cylinder Cover Gasket
70	33626C	1	Cylinder Cover (Incl. 74,75,80-84,175 & 176)
74	31855	2	Bearing Retainer
75	33625	1	Oil Seal
84	29193	1	Retaining Ring
86	650833	7	Screw, 1/4-20 x 1-3/16"
87	650832	1	Screw, 1/4-20 x 1-11/16"
89	32589	1	Flywheel Key
175	650778	2	Lock Washer
176	650580	2	Lock Nut, 10-24
277	650729	2	Screw, 5/16-18 x 3-3/16"
290	30962	1	Fuel Line
292	26460	2	Fuel Line Clamp
298	650665	2	Screw, 1/4-15 x 3/4"
301	35355	1	Fuel Cap