

Engine Parts List #1

Ref #	Part Number	Qty	Description
	1 35385	1	Cylinder (Incl. 2 & 20)
	2 27652	2	Dowel Pin
	15A 30700	1	Governor Yoke
	15 30699C	1	Governor Rod (Incl. 15A & 15B)
	15B 650494	1	Screw, 6-40 x 5/16"
	16 33454	1	Governor Lever
	17 29916	1	Governor Lever Clamp
	18 650548	1	Screw, 8-32 x 5/16"
	19 34663	1	Speed Control Spring
	20 35319	1	Oil Seal
	25 36460	1	Blower Housing Baffle
	26 650561	2	Screw, 1/4-20 x 5/8"
	28 30322	1	Lock Nut, 8-32
	30 35420A	1	Crankshaft
	35 29826	1	Screw, 10-32 x 3/4"
	37 29216	1	Lock Nut, 10-32
	38 29642	1	Retaining Ring
	40 34552	1	Piston, Pin & Ring Set (Std.)
	40 34553	1	Piston, Pin & Ring Set (.010" OS)
	40 34554	1	Piston, Pin & Ring Set (.020" OS)
	41 34329A	1	Piston & Pin Ass'y. (Std.) (Incl. 43)
	41 34330A	1	Piston & Pin Ass'y. (.010" OS) (Incl. 43)
	41 34331A	1	Piston & Pin Ass'y. (.020" OS) (Incl. 43)
	42 34332	1	Ring Set (Std.)
	42 34333	1	Ring Set (.010" OS)
	42 34334	1	Ring Set (.020" OS)
	43 27888	2	Piston Pin Retaining Ring
	45 35373A	1	Connecting Rod Ass'y. (Incl.46,47,49)
	46 650908	1	Connecting Rod Bolt
	47 650882	1	Connecting Rod Bolt
	48 34034	2	Valve Lifter
	49 35374	1	Oil Dipper
	50 35375	1	Camshaft (MCR)
	60 33273A	1	Blower Housing Extension
	65 650128	1	Screw, 10-24 x 1/2"
	69 35262A	1	* Cylinder Cover Gasket
	70 33626B	1	Cylinder Cover (Incl. 74,75,80,175 & 176)
	72 27642	2	Oil Drain Plug
	80 31845	1	Governor Shaft
	81 30590A	1	Washer
	82 35378	1	Governor Gear Ass'y. (Incl. 81)
	83 30588A	1	Governor Spool
	84 29193	1	Retaining Ring
	86 650833	7	Screw, 1/4-20 x 1-3/16"
	87 650832	1	Screw, 1/4-20 x 1-11/16"
	89 32589	1	Flywheel Key
	90 611090	1	Flywheel
	92 650880	1	Lock Washer
	93 650881	1	Flywheel Nut
	100 35135	1	Solid State Ignition
	101 610118	1	Spark Plug Cover
	102 650872	2	Solid State Mounting Stud
	103 651007	2	Screw, Torx T-15, 10-24 x 15/16"
	110 35187	1	Ground Wire
	119 36448	1	* Cylinder Head Gasket
	120 36449	1	Cylinder Head
	125 27878A	1	Exhaust Valve (Std.) (Incl. 151)
	125 27880A	1	Exhaust Valve (1/32" OS) (Incl. 151)

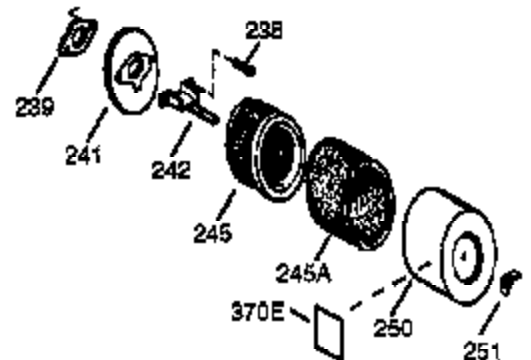
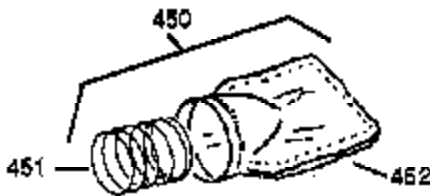
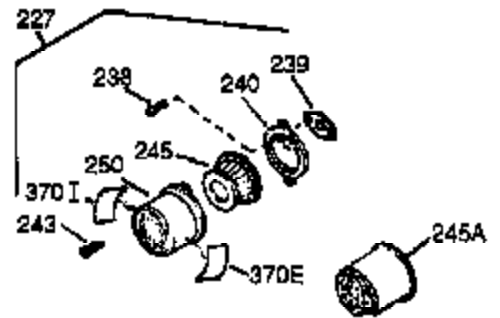
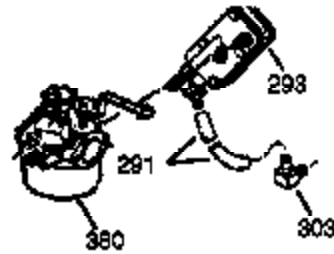
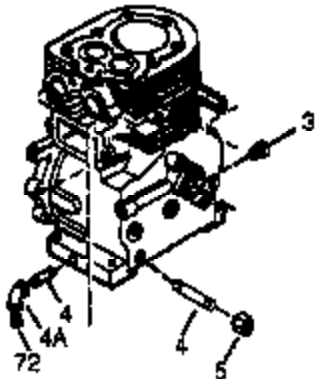
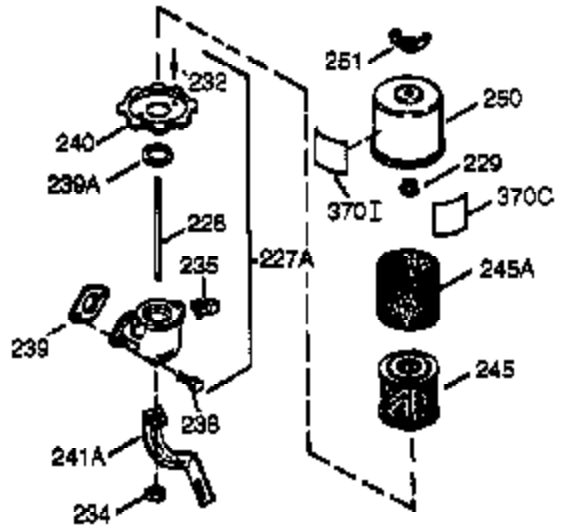
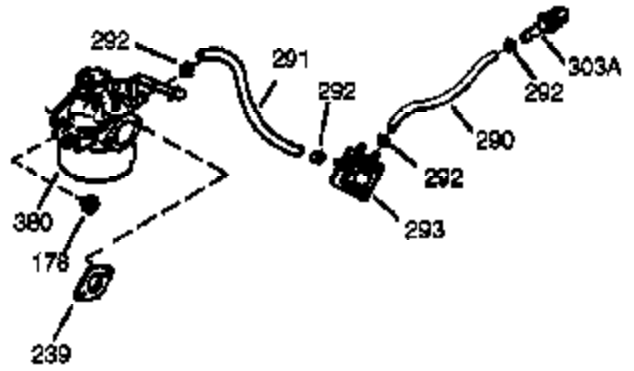
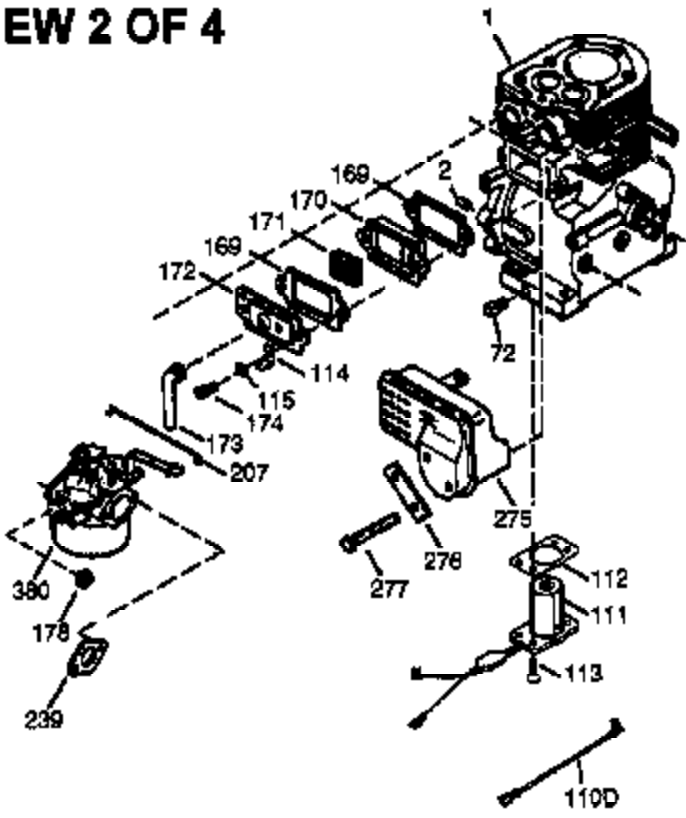
Engine Parts List #1

Ref #	Part Number	Qty	Description
126	34036	1	Intake Valve (1/32" OS) (Incl. 151)
126	34035	1	Intake Valve (Std.) (Incl. 151)
127	650691	9	Washer
128	650690	9	Belleville Washer
130	650694A	9	Screw, 5/16-18 x 2"
130	650738	1	Screw, 1/4-20 x 5/8"
130B	650273	2	Screw, 5/16-18 x 5/8"
130A	650727	2	Screw, 5/16-18 x 1-3/4"
135	33636	1	Resistor Spark Plug (J8C/356)
139	33369	1	Governor Gear Bracket
140	650836	2	Screw, 10-24 x 1/2"
149	27882	1	Valve Spring Cap
149A	35862	1	Valve Spring Cap
150	27881	2	Valve Spring
151	32581	2	Valve Spring Keeper
169	27896A	2	* Breather Gasket
170	28423	1	Breather Body
171	28424	1	Breather Element
172	28425	1	Valve Cover
173	35350	1	Breather Tube
174	650128	2	Screw, 10-24 x 1/2"
178	29752	2	Nut & Lock Washer, 1/4-28
182	30088A	2	Screw, 1/4-28 x 1"
184	33263	1	* Carburetor To Intake Pipe Gasket
185	34707	1	Intake Pipe
186	34667	1	Governor Link
200	34677	1	Control Bracket (Incl. 19, 203 & 204)
203	31342	1	Compression Spring
204	650549	1	Screw, 5-40 x 7/16"
206	610973	1	Terminal
207	33878	1	Throttle Link
209	650821	2	Screw, 10-32 x 1/2"
215	35882	1	Control Knob
223	650378	2	Screw, Torx T-30, 5/16-18 x 1-1/8"
224	27915A	1	* Intake Pipe Gasket
260	33375D	1	Blower Housing
261	650788	2	Screw, 5/16-18 x 3/4"
262	29747B	2	Screw, Torx T-40, 5/16-24 x 21/32"
265	33272B	1	Cylinder Head Cover
275	34185B	1	Muffler
276	31588	1	Locking Plate
277	650729	2	Screw, 5/16-18 x 3-3/16"
281	33013	1	Starter Bubble Cover
282	650760	1	Screw, 8-32 x 3/8"
285	35985B	1	Starter Cup
287	29752	4	Nut & Lock Washer, 1/4-28
296	34279B	1	Fuel Filter (Incl. 292)
300	34186A	1	Fuel Tank (Incl. 292 & 301)
301	36246	1	Fuel Cap
305	35554	1	Oil Fill Tube
307	35499	1	"O" Ring
310	36205	1	Dipstick
325	29443	1	Wire Clip
342	30063	1	Screw, Torx T-30, 1/4-20 x 1/2"
370	36261	1	Instruction Decal
370K	36695	1	Starter Decal
370B	35274	1	Instruction Decal
380	632351	1	Carburetor (Incl. 184)

Ref #	Part Number	Qty	Description
390	590704	1	Rewind Starter (NOTE: This engine could have been built with 590671 starter. Refer to the design of the rope pulley strength ribs for part identification. Individual starter parts do not interchange. Refer to service bulletin 518.)
400	36450A	1	* Gasket Set (Incl. items marked PK i n notes) Incl. part #'s 27272A (1), 27896A (2), 27915A (1), 29673 (1), 33263 (1), 33629 (1), 34698A (1), 35262A (1), 36448 (1)
420	730225	1	SAE 30 4-Cycle Engine Oil (Quart)

ILLUSTRATION SHOWS TYPICAL PARTS ONLY. ORDER BY PART NUMBER. PARTS NOT LISTED ARE SUPPLIED BY OEM.

VIEW 2 OF 4

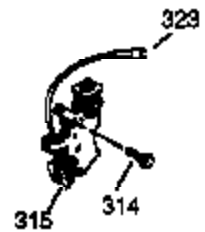
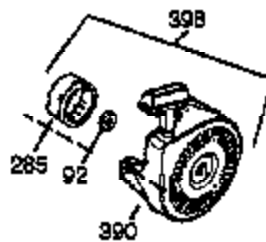
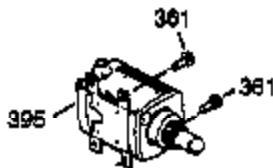
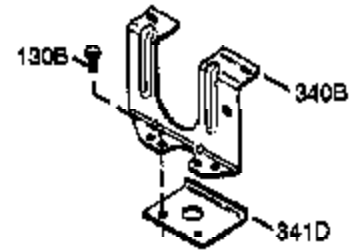
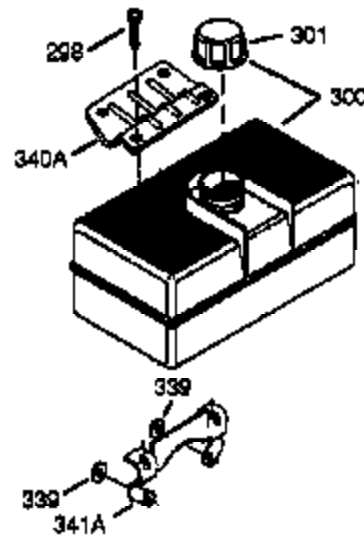
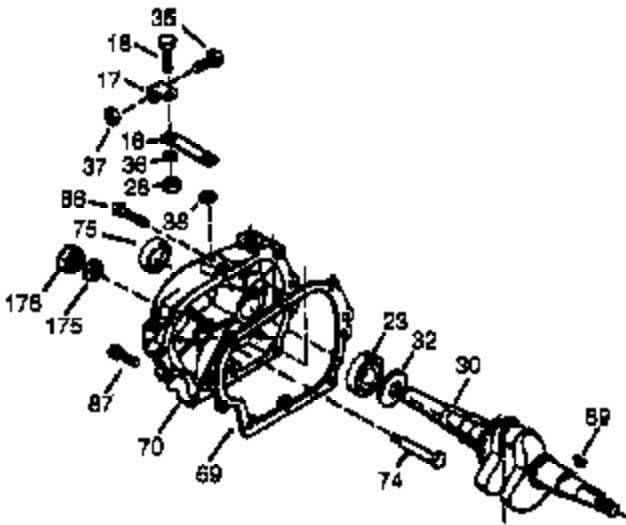
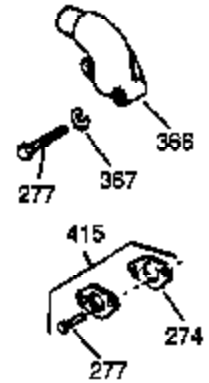
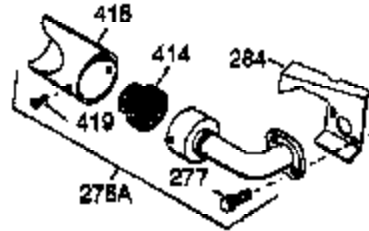
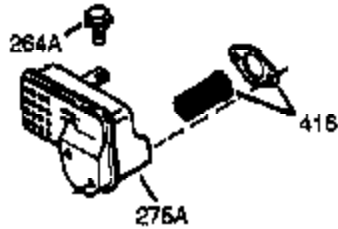
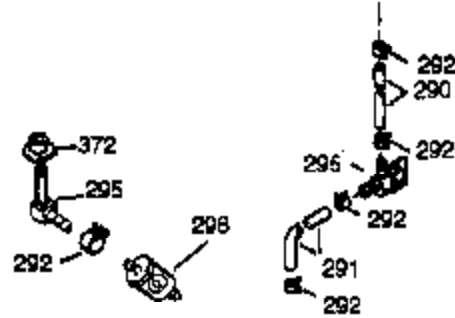
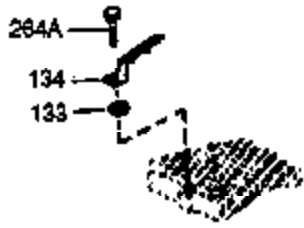


Engine Parts List #2

Ref #	Part Number	Qty	Description
1	35385	1	Cylinder (Incl. 2 & 20)
2	27652	2	Dowel Pin
72	27642	2	Oil Drain Plug
169	27896A	2	* Breather Gasket
170	28423	1	Breather Body
171	28424	1	Breather Element
172	28425	1	Valve Cover
174	650128	2	Screw, 10-24 x 1/2"
178	29752	2	Nut & Lock Washer, 1/4-28
207	33878	1	Throttle Link
238	28820	2	Screw, 10-32 x 1/2"
239	27272A	1	* Air Cleaner Gasket
240	33266	1	Air Cleaner Body
242	33267	1	Air Cleaner Bracket
245	33268	1	Air Cleaner Filter
250	33269A	1	Air Cleaner Cover
251	650513	1	Wing Nut, 1/4-20
275	34185B	1	Muffler
276	31588	1	Locking Plate
277	650729	2	Screw, 5/16-18 x 3-3/16"
290	29774	1	Fuel Line
291	30962	1	Fuel Line
292	26460	6	Fuel Line Clamp
370E	35703	1	Throttle Decal
380	632351	1	Carburetor (Incl. 184)
420	730225	1	SAE 30 4-Cycle Engine Oil (Quart)

ILLUSTRATION SHOWS TYPICAL PARTS ONLY. ORDER BY PART NUMBER. PARTS NOT LISTED ARE SUPPLIED BY OEM.

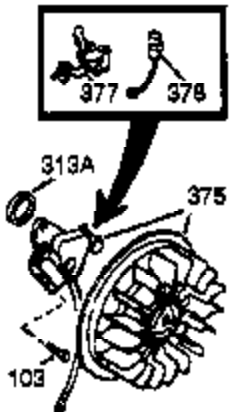
VIEW 3 OF 4



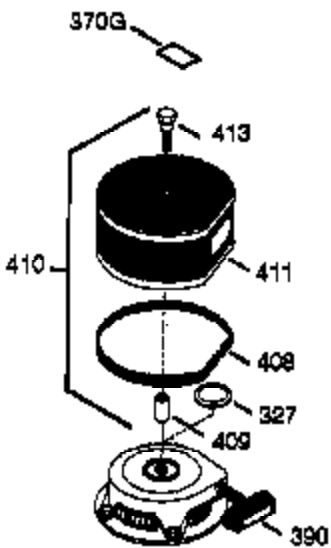
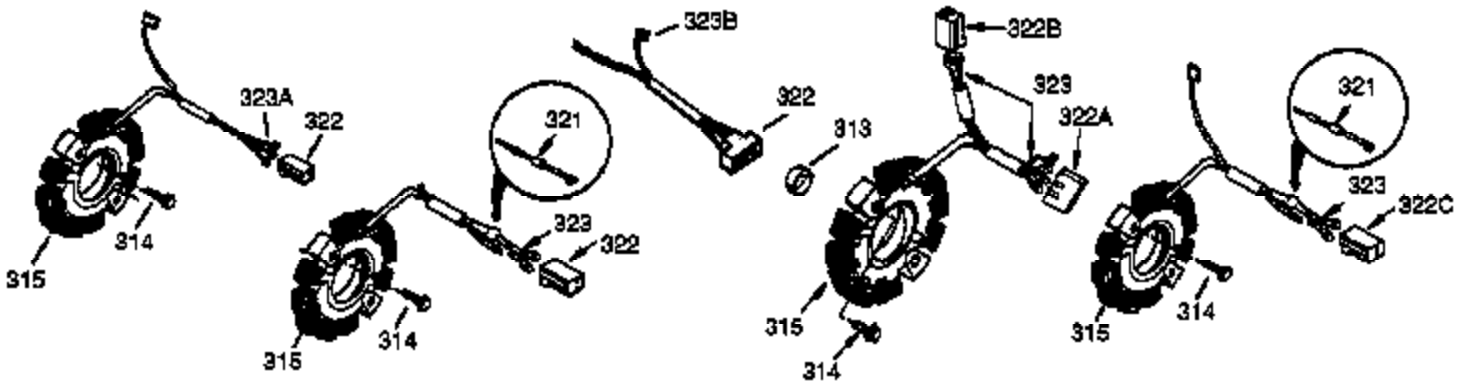
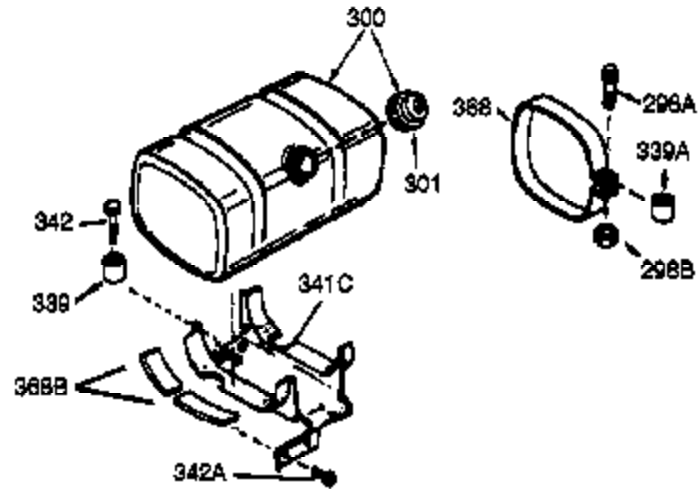
Ref #	Part Number	Qty	Description
16	33454	1	Governor Lever
17	29916	1	Governor Lever Clamp
18	650548	1	Screw, 8-32 x 5/16"
23	33627	1	Ball Bearing
28	30322	1	Lock Nut, 8-32
30	35420A	1	Crankshaft
32	33628	1	Washer
35	29826	1	Screw, 10-32 x 3/4"
36	29918	1	Lock Washer
37	29216	1	Lock Nut, 10-32
38	29642	1	Retaining Ring
69	35262A	1	* Cylinder Cover Gasket
70	33626B	1	Cylinder Cover (Incl. 74,75,80,175 & 176)
74	31855	2	Bearing Retainer
75	33625	1	Oil Seal
86	650833	7	Screw, 1/4-20 x 1-3/16"
87	650832	1	Screw, 1/4-20 x 1-11/16"
89	32589	1	Flywheel Key
92	650880	1	Lock Washer
130B	650273	2	Screw, 5/16-18 x 5/8"
175	650778	2	Lock Washer
176	650580	2	Lock Nut, 10-24
264A	650802	1	Screw, 1/4-20 x 5/8"
277	650729	2	Screw, 5/16-18 x 3-3/16"
285	35985B	1	Starter Cup
290	29774	1	Fuel Line
291	30962	1	Fuel Line
292	26460	6	Fuel Line Clamp
295	35857	1	Fuel Shut-Off Valve
296	34279B	1	Fuel Filter (Incl. 292)
298	650665	2	Screw, 1/4-15 x 3/4"
300	34186A	1	Fuel Tank (Incl. 292 & 301)
301	36246	1	Fuel Cap
339	35880	1	Spacer
340A	34259	1	Fuel Tank Bracket
341A	34258A	1	Fuel Tank Bracket
390	590704	1	Rewind Starter (NOTE: This engine could have been built with 590671 starter. Refer to the design of the rope pulley strength ribs for part identification. Individual starter parts do not interchange. Refer to service bulletin 518.)
416	34479A	1	Spark Arrestor Kit (Optional)
420	730225	1	SAE 30 4-Cycle Engine Oil (Quart)

ILLUSTRATION SHOWS TYPICAL PARTS ONLY. ORDER BY PART NUMBER. PARTS NOT LISTED ARE SUPPLIED BY OEM.

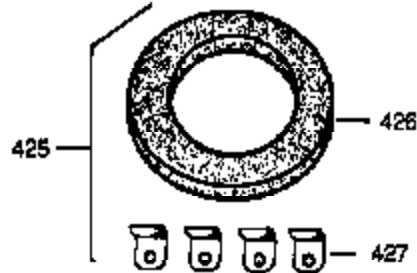
VIEW 4 OF 4



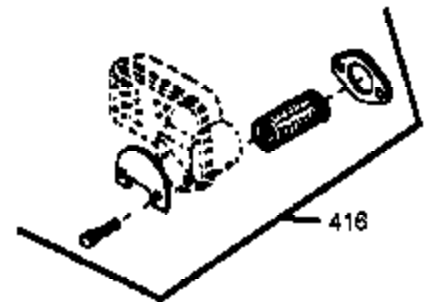
STD. POINT



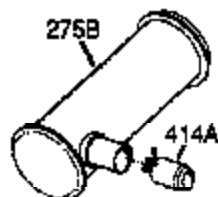
OPTIONAL DEBRIS SCREEN KIT



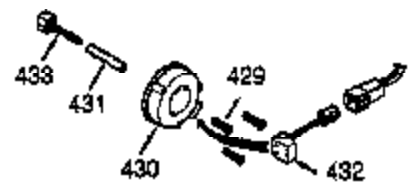
OPTIONAL STARTER MUFF KIT



OPTIONAL SPARK ARRESTOR KIT



OPTIONAL QUIET MUFFLER



OPTIONAL ADD-ON ALTERNATOR AC LIGHTING OR DC CHARGING

Ref #	Part Number	Qty	Description
103	651007	2	Screw, Torx T-15, 10-24 x 15/16"
300	34186A	1	Fuel Tank (Incl. 292 & 301)
301	36246	1	Fuel Cap
339	35880	1	Spacer
342	30063	1	Screw, Torx T-30, 1/4-20 x 1/2"
390	590704	1	Rewind Starter (NOTE: This engine could have been built with 590671 starter. Refer to the design of the rope pulley strength ribs for part identification. Individual starter parts do not interchange. Refer to service bulletin 518.)
416	34479A	1	Spark Arrestor Kit (Optional)
420	730225	1	SAE 30 4-Cycle Engine Oil (Quart)