



Engine Parts List #1

Ref #	Part Number	Qty	Description
	1 35966	1	Cylinder (Incl. 2 & 20)
	2 27652	2	Dowel Pin
	15A 30700	1	Governor Yoke
	15B 650494	1	Screw, 6-40 x 5/16"
	15 30699C	1	Governor Rod (Incl. 15A & 15B)
	16 33454	1	Governor Lever
	17 29916	1	Governor Lever Clamp
	18 650548	1	Screw, 8-32 x 5/16"
	19 34663	1	Speed Control Spring
	20 35319	1	Oil Seal
	25 36460	1	Blower Housing Baffle
	26 650561	2	Screw, 1/4-20 x 5/8"
	28 30322	1	Lock Nut, 8-32
	30 35420A	1	Crankshaft
	35 29826	1	Screw, 10-32 x 3/4"
	37 29216	1	Lock Nut, 10-32
	38 29642	1	Retaining Ring
	40 34552	1	Piston, Pin & Ring Set (Std.)
	40 34553	1	Piston, Pin & Ring Set (.010" OS)
	40 34554	1	Piston, Pin & Ring Set (.020" OS)
	41 34329A	1	Piston & Pin Ass'y. (Std.) (Incl. 43)
	41 34330A	1	Piston & Pin Ass'y. (.010" OS) (Incl. 43)
	41 34331A	1	Piston & Pin Ass'y. (.020" OS) (Incl. 43)
	42 34332	1	Ring Set (Std.)
	42 34333	1	Ring Set (.010" OS)
	42 34334	1	Ring Set (.020" OS)
	43 27888	2	Piston Pin Retaining Ring
	45 35373A	1	Connecting Rod Ass'y. (Incl.46,47,49)
	46 650908	1	Connecting Rod Bolt
	47 650882	1	Connecting Rod Bolt
	48 34034	2	Valve Lifter
	49 35374	1	Oil Dipper
	50 35375	1	Camshaft (MCR)
	60 33273A	1	Blower Housing Extension
	65 650128	1	Screw, 10-24 x 1/2"
	69 35262A	1	* Cylinder Cover Gasket
	70 33626B	1	Cylinder Cover (Incl. 75 & 80)
	72 27642	2	Oil Drain Plug
	80 31845	1	Governor Shaft
	81 30590A	1	Washer
	82 35378	1	Governor Gear Ass'y. (Incl. 81)
	83 30588A	1	Governor Spool
	84 29193	1	Retaining Ring
	86 650833	7	Screw, 1/4-20 x 1-3/16"
	87 650832	1	Screw, 1/4-20 x 1-11/16"
	89 32589	1	Flywheel Key
	90 611090	1	Flywheel
	92 650880	1	Lock Washer
	93 650881	1	Flywheel Nut
	100 35135	1	Solid State Ignition
	101 610118	1	Spark Plug Cover
	102 650872	2	Solid State Mounting Stud
	103 651007	2	Screw, Torx T-15, 10-24 x 15/16"
	110A 35987	1	Oil Shut-Down Wire & Terminal
	110 35187	1	Ground Wire
	119 36448	1	* Cylinder Head Gasket
	120 36449	1	Cylinder Head
	125 27878A	1	Exhaust Valve (Std.) (Incl. 151)

Engine Parts List #1

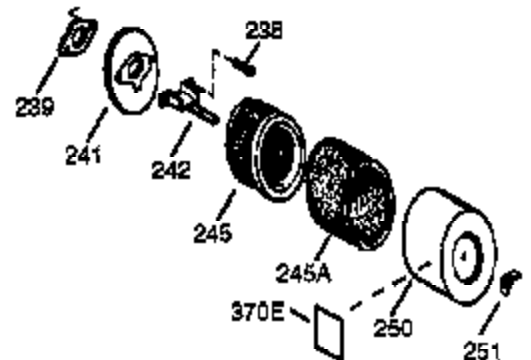
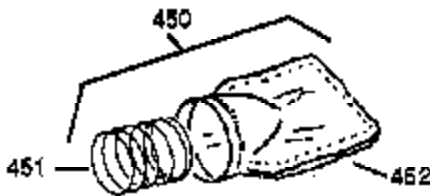
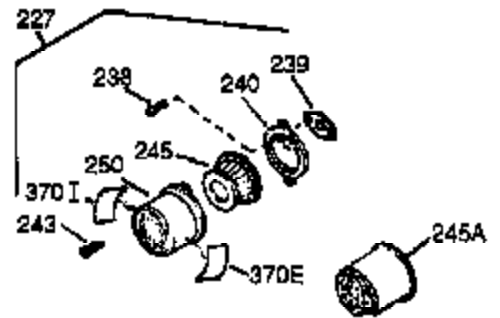
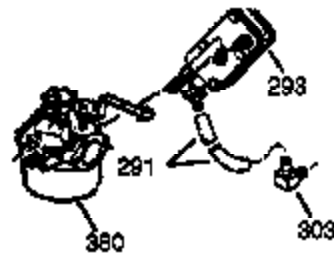
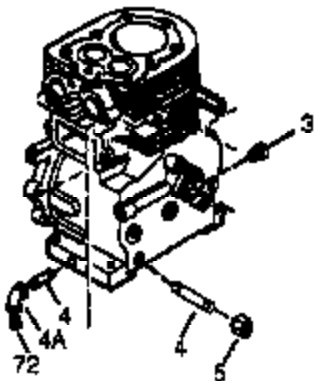
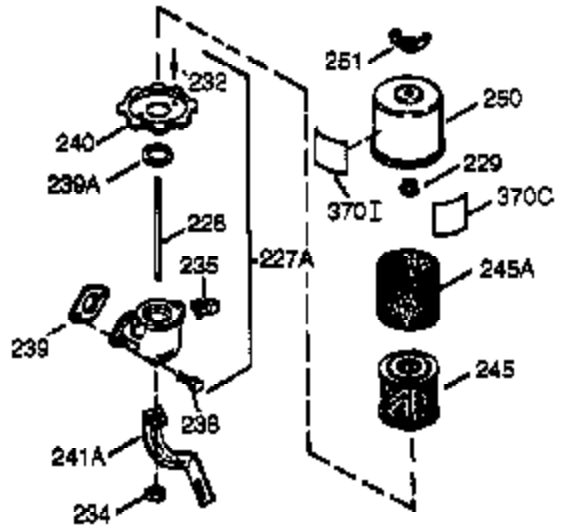
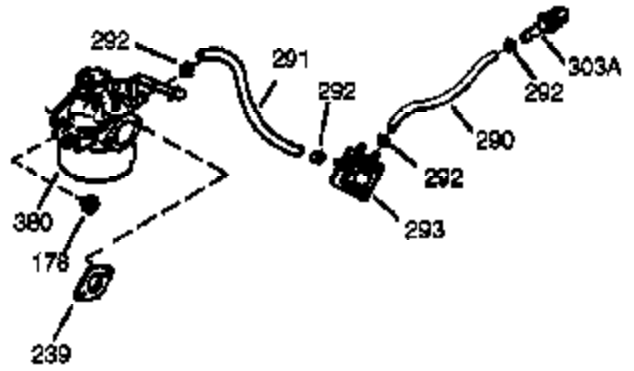
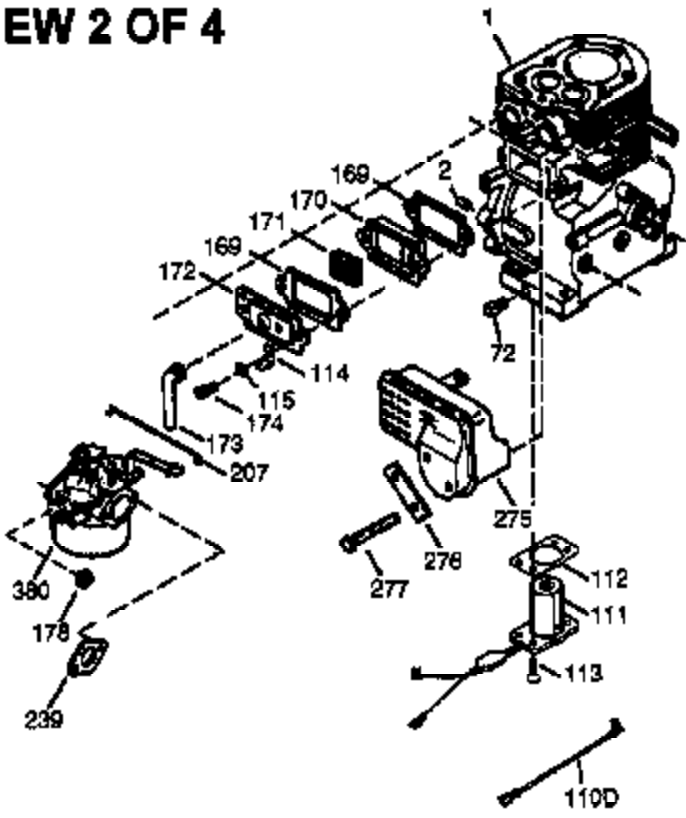
Ref #	Part Number	Qty	Description
125	27880A	1	Exhaust Valve (1/32" OS) (Incl. 151)
126	34035	1	Intake Valve (Std.) (Incl. 151)
126	34036	1	Intake Valve (1/32" OS) (Incl. 151)
127	650691	9	Washer
128	650690	7	Belleville Washer
129	650727	2	Screw, 5/16-18 x 1-3/4"
130	650694A	7	Screw, 5/16-18 x 2"
131A	650713	2	Screw, 5/16-18 x 5/8"
135	33636	1	Resistor Spark Plug (RJ17LM)
139	33369	1	Governor Gear Bracket
140	650836	2	Screw, 10-24 x 1/2"
149A	35862	1	Valve Spring Cap
149	27882	1	Valve Spring Cap
150	27881	2	Valve Spring
151	32581	2	Valve Spring Keeper
169	27896A	2	* Breather Gasket
170	28423	1	Breather Body
171	28424	1	Breather Element
172	28425	1	Valve Cover
173	35350	1	Breather Tube
174	650128	1	Screw, 10-24 x 1/2"
174A	650597	1	Screw, 10-24 x 5/8"
178	29752	2	Nut & Lock Washer, 1/4-28
182	30088A	2	Screw, 1/4-28 x 1"
184	33263	1	* Carburetor To Intake Pipe Gasket
185	34707	1	Intake Pipe
186	34661	1	Governor Link
200	34677	1	Control Bracket (Incl. 19, 203 & 204)
203	31342	1	Compression Spring
204	650549	1	Screw, 5-40 x 7/16"
206	610973	1	Terminal
207	33878	1	Throttle Link
209	650821	2	Screw, 10-32 x 1/2"
215	32410	1	Control Knob
223	650378	2	Screw, Torx T-30, 5/16-18 x 1-1/8"
224	27915A	1	* Intake Pipe Gasket
260	33375D	1	Blower Housing
261	650788	2	Screw, 5/16-18 x 3/4"
262	29747B	2	Screw, Torx T-40, 5/16-24 x 21/32"
265	33272B	1	Cylinder Head Cover
275	34185B	1	Muffler
276	31588	1	Locking Plate
277	650729	2	Screw, 5/16-18 x 3-3/16"
281	33013	1	Starter Bubble Cover
282	650760	1	Screw, 8-32 x 3/8"
285	35985B	1	Starter Cup
286	35446	1	Starter Screen
287	29752	4	Nut & Lock Washer, 1/4-28
300	34156A	1	Fuel Tank (Incl. 292 & 301)
301	35355	1	Fuel Cap
305	35554	1	Oil Fill Tube
307	35499	1	"O" Ring
308	35540	1	Fill Tube Clip
310	36205	1	Dipstick
311	35941	1	Oil Fill Plug (Incl. 312)
312	29673	1	Oil Fill Plug Gasket
324	33177	1	Terminal
325	29443	1	Wire Clip

Engine Parts List #1

Ref #	Part Number	Qty	Description
327	35392	1	Starter Plug
340	34155	1	Fuel Tank Bracket
341	34154	1	Fuel Tank Bracket
342	650561	1	Screw, 1/4-20 x 5/8"
370C	35274	1	Instruction Decal
370B	35703	1	Throttle Decal
380	632351	1	Carburetor (Incl. 184)
390	590671	1	Rewind Starter (NOTE: This engine could have been built with 590704 starter. Refer to the design of the air intake louvers for part identification. Individual starter parts do not interchange.)
400	36450A	1	* Gasket Set (Incl. items marked PK i n notes) Incl. part #'s 27272A (1), 27896A (2), 27915A (1), 29673 (1), 33263 (1), 33629 (1), 34698A (1), 35262 (1), 36448 (1)
420	730225	1	SAE 30 4-Cycle Engine Oil (Quart)

ILLUSTRATION SHOWS TYPICAL PARTS ONLY. ORDER BY PART NUMBER. PARTS NOT LISTED ARE SUPPLIED BY OEM.

VIEW 2 OF 4

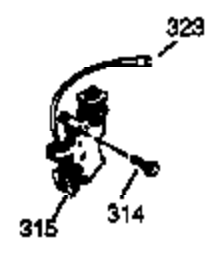
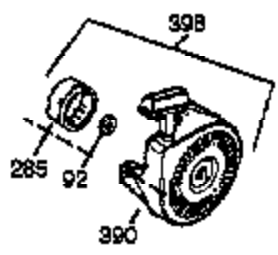
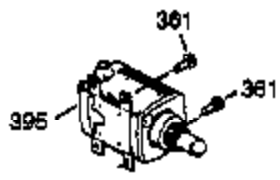
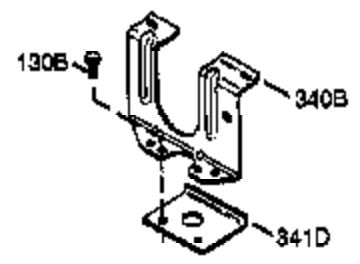
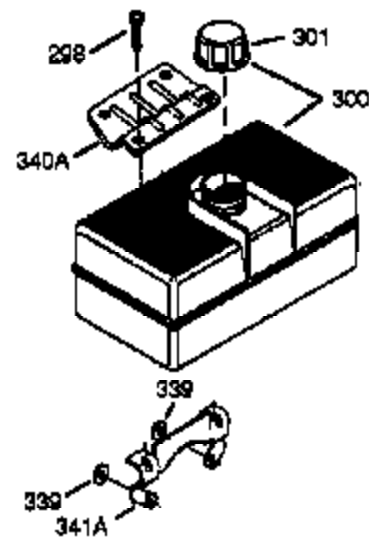
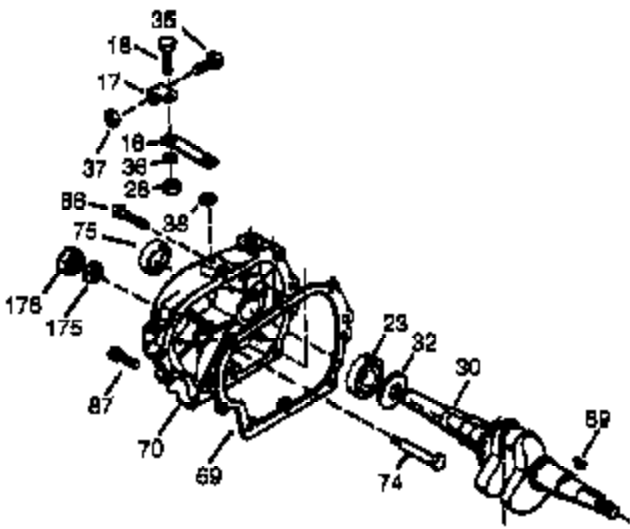
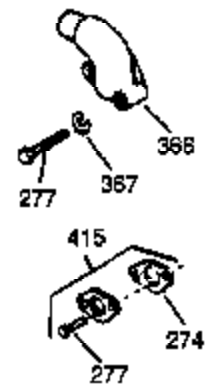
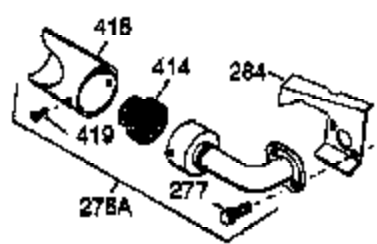
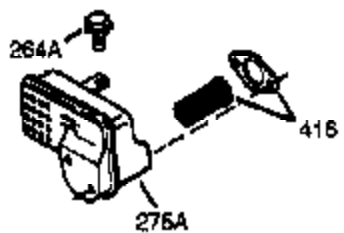
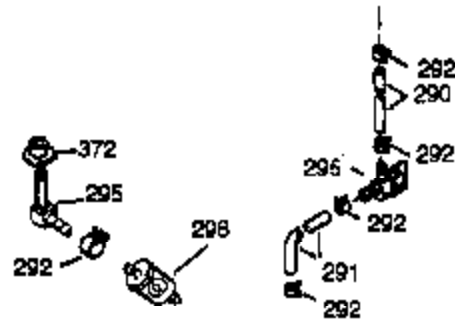
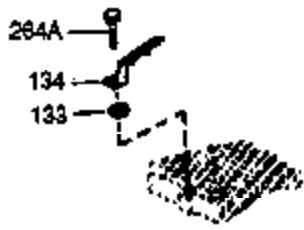


Engine Parts List #2

Ref #	Part Number	Qty	Description
	1 35966	1	Cylinder (Incl. 2 & 20)
	2 27652	2	Dowel Pin
	72 27642	2	Oil Drain Plug
110A	35987	1	Oil Shut-Down Wire & Terminal
	112 35967	1	Low Oil Shut-Down Gasket
	113 650950	4	Screw, Torx T-25, 10-24 x 5/8"
	114 33932	1	Ground Terminal
	115 650518	1	Lock Washer
	129 650727	2	Screw, 5/16-18 x 1-3/4"
131A	650713	2	Screw, 5/16-18 x 5/8"
	169 27896A	2	* Breather Gasket
	170 28423	1	Breather Body
	171 28424	1	Breather Element
	172 28425	1	Valve Cover
	174 650128	1	Screw, 10-24 x 1/2"
	178 29752	2	Nut & Lock Washer, 1/4-28
	207 33878	1	Throttle Link
	238 28820	2	Screw, 10-32 x 1/2"
	239 27272A	1	* Air Cleaner Gasket
	240 33266	1	Air Cleaner Body
	242 33267	1	Air Cleaner Bracket
	245 33268	1	Air Cleaner Filter
	250 33269A	1	Air Cleaner Cover
	251 650513	1	Wing Nut, 1/4-20
	275 34185B	1	Muffler
	276 31588	1	Locking Plate
	277 650729	2	Screw, 5/16-18 x 3-3/16"
	290 30705	1	Fuel Line
	292 26460	2	Fuel Line Clamp
	308 35540	1	Fill Tube Clip
370C	35274	1	Instruction Decal
	380 632351	1	Carburetor (Incl. 184)
	420 730225	1	SAE 30 4-Cycle Engine Oil (Quart)

ILLUSTRATION SHOWS TYPICAL PARTS ONLY. ORDER BY PART NUMBER. PARTS NOT LISTED ARE SUPPLIED BY OEM.

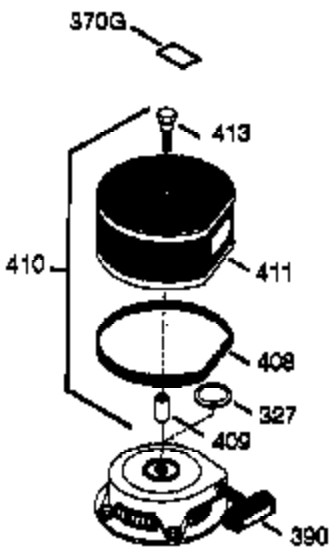
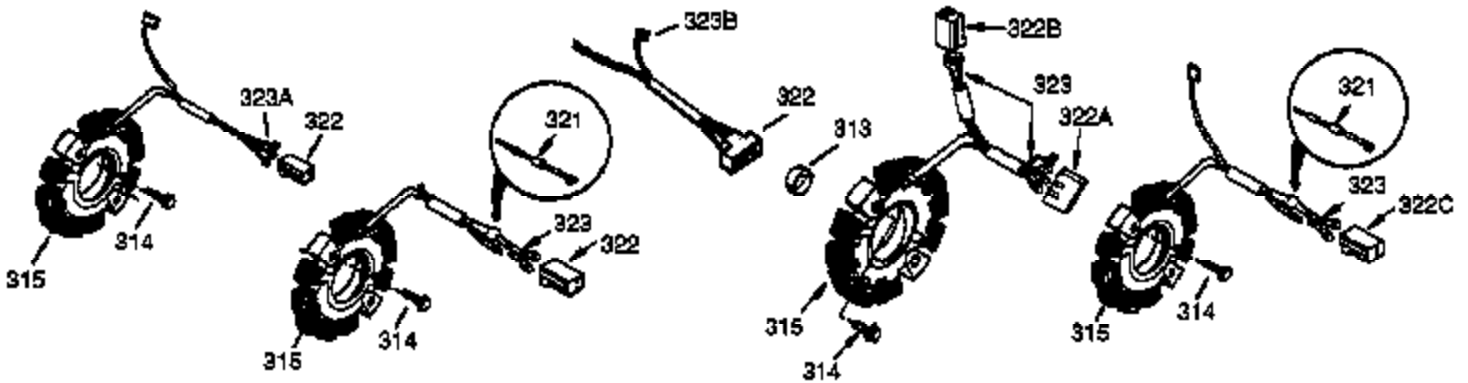
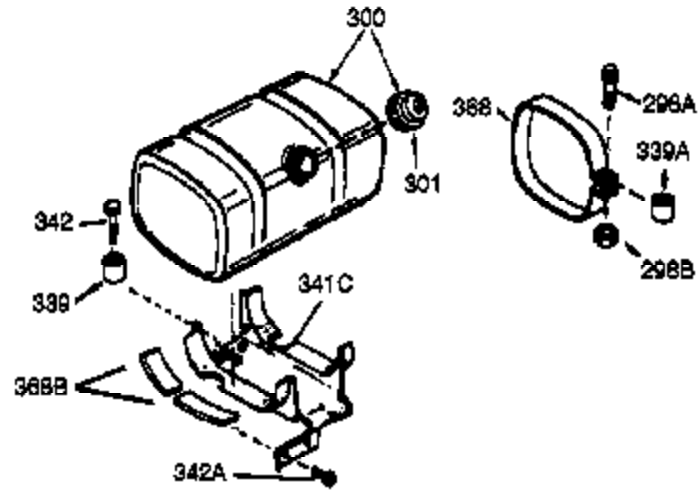
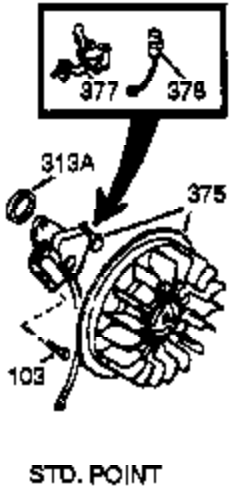
VIEW 3 OF 4



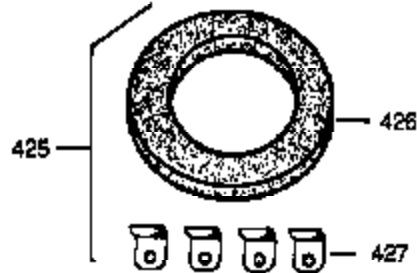
Ref #	Part Number	Qty	Description
16	33454	1	Governor Lever
17	29916	1	Governor Lever Clamp
18	650548	1	Screw, 8-32 x 5/16"
23	33627	1	Ball Bearing
28	30322	1	Lock Nut, 8-32
30	35420A	1	Crankshaft
32	33628	1	Washer
35	29826	1	Screw, 10-32 x 3/4"
36	29918	1	Lock Washer
37	29216	1	Lock Nut, 10-32
38	29642	1	Retaining Ring
69	35262A	1	* Cylinder Cover Gasket
70	33626B	1	Cylinder Cover (Incl. 75 & 80)
74	31855	2	Bearing Retainer
75	33625	1	Oil Seal
86	650833	7	Screw, 1/4-20 x 1-3/16"
87	650832	1	Screw, 1/4-20 x 1-11/16"
89	32589	1	Flywheel Key
92	650880	1	Lock Washer
110A	35987	1	Oil Shut-Down Wire & Terminal
129	650727	2	Screw, 5/16-18 x 1-3/4"
131A	650713	2	Screw, 5/16-18 x 5/8"
175	650778	2	Lock Washer
176	650580	2	Lock Nut, 10-24
264A	650802	1	Screw, 1/4-20 x 5/8"
277	650729	2	Screw, 5/16-18 x 3-3/16"
285	35985B	1	Starter Cup
290	30705	1	Fuel Line
292	26460	2	Fuel Line Clamp
298	650665	2	Screw, 1/4-15 x 3/4"
300	34156A	1	Fuel Tank (Incl. 292 & 301)
301	35355	1	Fuel Cap
308	35540	1	Fill Tube Clip
390	590671	1	Rewind Starter (NOTE: This engine could have been built with 590704 starter. Refer to the design of the air intake louvers for part identification. Individual starter parts do not interchange.)
420	730225	1	SAE 30 4-Cycle Engine Oil (Quart)

ILLUSTRATION SHOWS TYPICAL PARTS ONLY. ORDER BY PART NUMBER. PARTS NOT LISTED ARE SUPPLIED BY OEM.

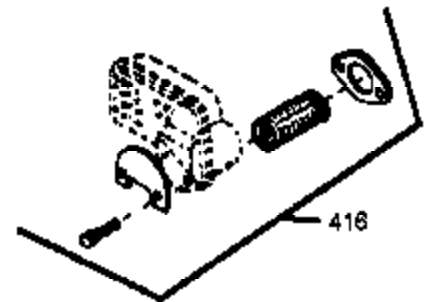
VIEW 4 OF 4



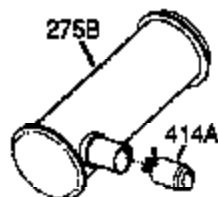
OPTIONAL DEBRIS SCREEN KIT



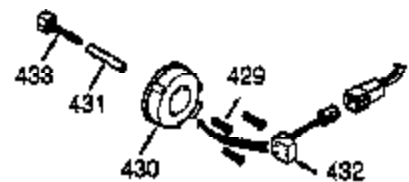
OPTIONAL STARTER MUFF KIT



OPTIONAL SPARK ARRESTOR KIT



OPTIONAL QUIET MUFFLER



OPTIONAL ADD-ON ALTERNATOR AC LIGHTING OR DC CHARGING

Ref #	Part Number	Qty	Description
103	651007	2	Screw, Torx T-15, 10-24 x 15/16"
110A	35987	1	Oil Shut-Down Wire & Terminal
129	650727	2	Screw, 5/16-18 x 1-3/4"
131A	650713	2	Screw, 5/16-18 x 5/8"
300	34156A	1	Fuel Tank (Incl. 292 & 301)
301	35355	1	Fuel Cap
308	35540	1	Fill Tube Clip
327	35392	1	Starter Plug
342	650561	1	Screw, 1/4-20 x 5/8"
390	590671	1	Rewind Starter (NOTE: This engine could have been built with 590704 starter. Refer to the design of the air intake louvers for part identification. Individual starter parts do not interchange.)
420	730225	1	SAE 30 4-Cycle Engine Oil (Quart)