

Engine Parts List #1

| Ref # | Part Number | Qty | Description |
|-------|-------------|-----|---|
| | 1 35385 | 1 | Cylinder (Incl. 2 & 20) |
| | 2 27652 | 2 | Dowel Pin |
| 15B | 650494 | 1 | Screw, 6-40 x 5/16" |
| 15A | 30700 | 1 | Governor Yoke |
| | 15 30699C | 1 | Governor Rod (Incl. 15A & 15B) |
| | 16 33454 | 1 | Governor Lever |
| | 17 29916 | 1 | Governor Lever Clamp |
| | 18 650548 | 1 | Screw, 8-32 x 5/16" |
| | 19 34663 | 1 | Speed Control Spring |
| | 20 35319 | 1 | Oil Seal |
| | 25 35326 | 1 | Blower Housing Baffle |
| | 26 650561 | 2 | Screw, 1/4-20 x 5/8" |
| | 28 30322 | 1 | Lock Nut, 8-32 |
| | 30 35420A | 1 | Crankshaft |
| | 35 29826 | 1 | Screw, 10-32 x 3/4" |
| | 37 29216 | 1 | Lock Nut, 10-32 |
| | 38 29642 | 1 | Retaining Ring |
| | 40 34552 | 1 | Piston, Pin & Ring Set (Std.) |
| | 40 34553 | 1 | Piston, Pin & Ring Set (.010" OS) |
| | 40 34554 | 1 | Piston, Pin & Ring Set (.020" OS) |
| | 41 34329A | 1 | Piston & Pin Ass'y. (Std.) (Incl. 43) |
| | 41 34330A | 1 | Piston & Pin Ass'y. (.010" OS) (Incl. 43) |
| | 41 34331A | 1 | Piston & Pin Ass'y. (.020" OS) (Incl. 43) |
| | 42 34332 | 1 | Ring Set (Std.) |
| | 42 34333 | 1 | Ring Set (.010" OS) |
| | 42 34334 | 1 | Ring Set (.020" OS) |
| | 43 27888 | 2 | Piston Pin Retaining Ring |
| | 45 35373A | 1 | Connecting Rod Ass'y. (Incl.46,47,49) |
| | 46 650908 | 1 | Connecting Rod Bolt |
| | 47 650882 | 1 | Connecting Rod Bolt |
| | 48 34034 | 2 | Valve Lifter |
| | 49 35374 | 1 | Oil Dipper |
| | 50 35375 | 1 | Camshaft (MCR) |
| | 60 33273A | 1 | Blower Housing Extension |
| | 65 650128 | 1 | Screw, 10-24 x 1/2" |
| | 69 35262 | 1 | * Cylinder Cover Gasket |
| | 70 33626B | 1 | Cylinder Cover (Incl. 75 & 80) |
| | 72 27642 | 2 | Oil Drain Plug |
| | 80 31845 | 1 | Governor Shaft |
| | 81 30590A | 1 | Washer |
| | 82 35378 | 1 | Governor Gear Ass'y. (Incl. 81) |
| | 83 30588A | 1 | Governor Spool |
| | 84 29193 | 1 | Retaining Ring |
| | 86 650833 | 7 | Screw, 1/4-20 x 1-3/16" |
| | 87 650832 | 1 | Screw, 1/4-20 x 1-11/16" |
| | 89 32589 | 1 | Flywheel Key |
| | 90 611090 | 1 | Flywheel |
| | 92 650880 | 1 | Lock Washer |
| | 93 650881 | 1 | Flywheel Nut |
| | 100 35135 | 1 | Solid State Ignition |
| | 101 610118 | 1 | Spark Plug Cover |
| | 102 650872 | 2 | Solid State Mounting Stud |
| | 103 650814 | 2 | Screw, Torx T-15, 10-24 x 1" |
| | 110 35187 | 1 | Ground Wire (12.090") |
| | 119 34041A | 1 | * Cylinder Head Gasket |
| | 120 34030A | 1 | Cylinder Head |
| | 125 27878A | 1 | Exhaust Valve (Std.) (Incl. 151) |
| | 125 27880A | 1 | Exhaust Valve (1/32" OS) (Incl. 151) |

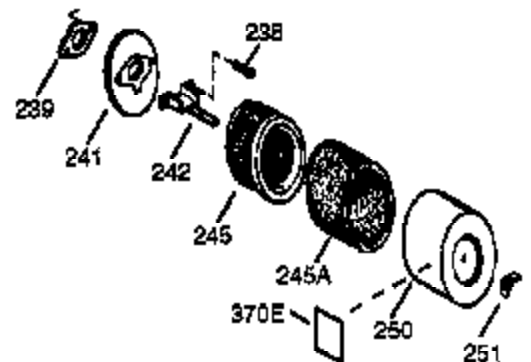
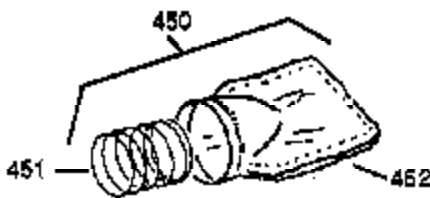
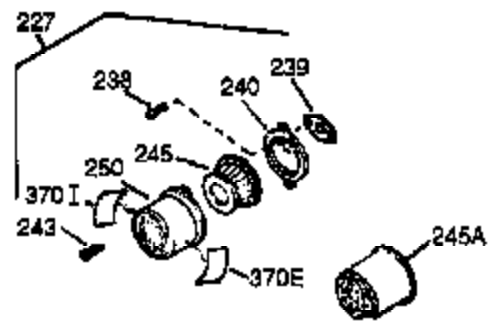
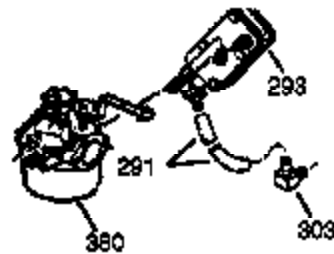
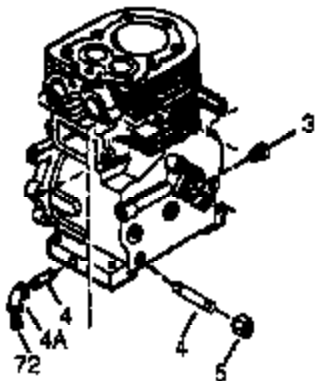
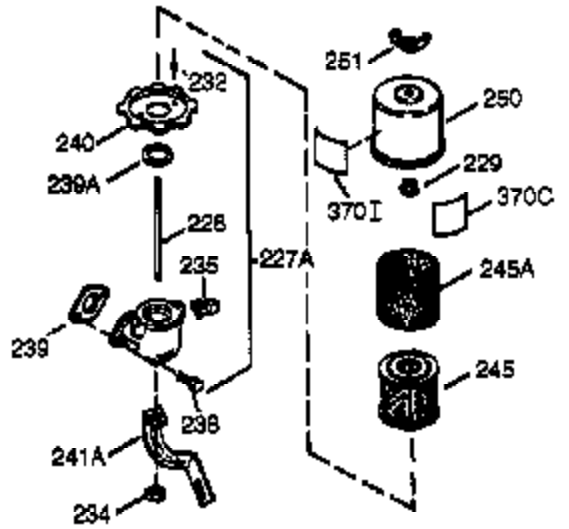
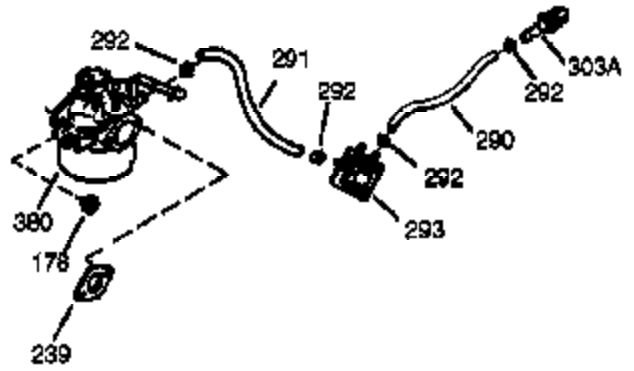
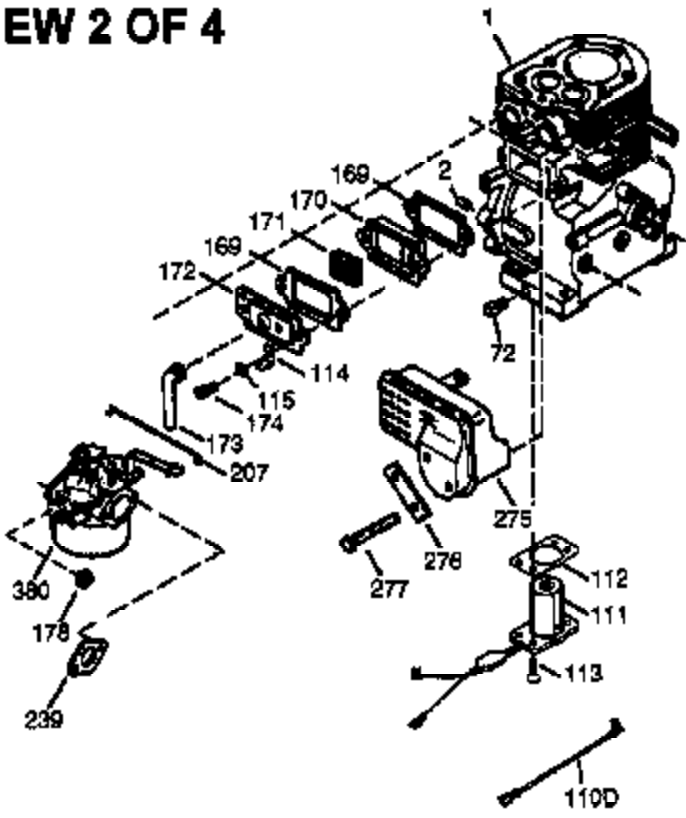
Engine Parts List #1

| Ref # | Part Number | Qty | Description |
|-------|-------------|-----|-------------------------------------|
| 126 | 34035 | 1 | Intake Valve (Std.) (Incl. 151) |
| 126 | 34036 | 1 | Intake Valve (1/32" OS) (Incl. 151) |
| 127 | 650691 | 9 | Washer |
| 128 | 650690 | 7 | Belleville Washer |
| 129 | 650727 | 2 | Screw, 5/16-18 x 1-3/4" |
| 130 | 650694A | 7 | Screw, 5/16-18 x 2" |
| 131A | 650713 | 2 | Screw, 5/16-18 x 5/8" |
| 135 | 33636 | 1 | Resistor Spark Plug (RJ17LM) |
| 139 | 33369 | 1 | Governor Gear Bracket |
| 140 | 650836 | 2 | Screw, 10-24 x 1/2" |
| 149A | 35862 | 1 | Valve Spring Cap |
| 149 | 27882 | 1 | Valve Spring Cap |
| 150 | 27881 | 2 | Valve Spring |
| 151 | 32581 | 2 | Valve Spring Keeper |
| 169 | 27896A | 2 | * Valve Cover Gasket |
| 170 | 28423 | 1 | Breather Body |
| 171 | 28424 | 1 | Breather Element |
| 172 | 28425 | 1 | Valve Cover |
| 173 | 35350 | 1 | Breather Tube |
| 174 | 650128 | 2 | Screw, 10-24 x 1/2" |
| 178 | 29752 | 2 | Nut & Lock Washer, 1/4-28 |
| 182 | 30088A | 2 | Screw, 1/4-28 x 1" |
| 184 | 33263 | 1 | * Carburetor To Intake Pipe Gasket |
| 185 | 34707 | 1 | Intake Pipe |
| 186 | 34661 | 1 | Governor Link |
| 200 | 34677 | 1 | Control Bracket (Incl. 203 & 204) |
| 203 | 31342 | 1 | Compression Spring |
| 204 | 650549 | 1 | Screw, 5-40 x 7/16" |
| 206 | 610973 | 1 | Terminal |
| 207 | 33878 | 1 | Throttle Link |
| 209 | 650821 | 2 | Screw, 10-32 x 1/2" |
| 215 | 32410 | 1 | Control Knob |
| 223 | 650378 | 2 | Screw, Torx T-30, 5/16-18 x 1-1/8" |
| 224 | 27915A | 1 | * Intake Pipe Gasket |
| 260 | 33375D | 1 | Blower Housing |
| 261 | 650788 | 2 | Screw, 5/16-18 x 3/4" |
| 262 | 29747B | 2 | Screw, Torx T-40, 5/16-24 x 21/32" |
| 265 | 33272B | 1 | Cylinder Head Cover |
| 275 | 34185A | 1 | Muffler |
| 276 | 31588 | 1 | Locking Plate |
| 277 | 650729 | 2 | Screw, 5/16-18 x 3-3/16" |
| 281 | 33013 | 1 | Starter Bubble Cover |
| 282 | 650760 | 1 | Screw, 8-32 x 3/8" |
| 285 | 35985 | 1 | Starter Cup |
| 286 | 35446 | 1 | Starter Screen |
| 287 | 29752 | 4 | Nut & Lock Washer, 1/4-28 |
| 300 | 34156A | 1 | Fuel Tank (Incl. 292 & 301) |
| 301 | 35355 | 1 | Fuel Cap |
| 305 | 35554 | 1 | Oil Fill Tube |
| 307 | 35499 | 1 | "O" Ring |
| 308 | 35540 | 1 | Fill Tube Clip |
| 310 | 36205 | 1 | Dipstick |
| 311 | 35941 | 1 | Oil Fill Plug (Incl. 312) |
| 312 | 29673 | 1 | Oil Fill Plug Gasket |
| 325 | 29443 | 1 | Wire Clip |
| 327 | 35392 | 1 | Starter Plug |
| 340 | 34155 | 1 | Fuel Tank Bracket |
| 341 | 34154 | 1 | Fuel Tank Bracket |

| Ref # | Part Number | Qty | Description |
|-------|-------------|-----|---|
| 342 | 650561 | 1 | Screw, 1/4-20 x 5/8" |
| 370 | 36261 | 1 | Instruction Decal |
| 370B | 35344 | 1 | Throttle Decal |
| 370C | 35274 | 1 | Instruction Decal |
| 370A | 34686 | 1 | Name Decal |
| 380 | 632351 | 1 | Carburetor (Incl. 184) |
| 390 | 590671 | 1 | Rewind Starter |
| 400 | 33279G | 1 | * Gasket Set (Incl. items marked PK i n notes) Incl. part #'s 26756 (1),27272A (2),27896A (2),27915A (1),29673 (1),33263 (1),33629 (1),34041A (1),34327A (1),34698A (1),34912 (1),34923A (1),35262 (1),35317 (1),35865 (1) |
| 420 | 730225 | 1 | SAE 30 4-Cycle Engine Oil (Quart) |

ILLUSTRATION SHOWS TYPICAL PARTS ONLY. ORDER BY PART NUMBER. PARTS NOT LISTED ARE SUPPLIED BY OEM.

VIEW 2 OF 4

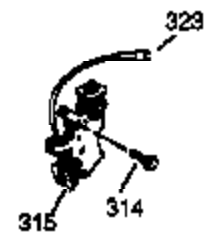
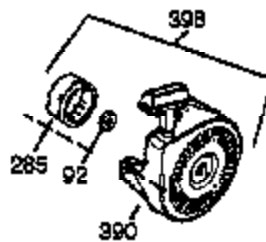
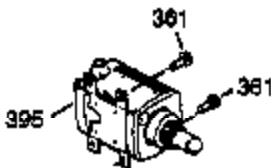
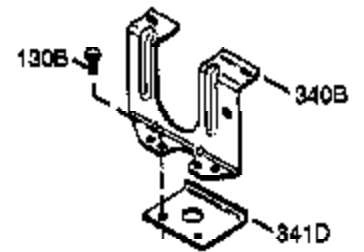
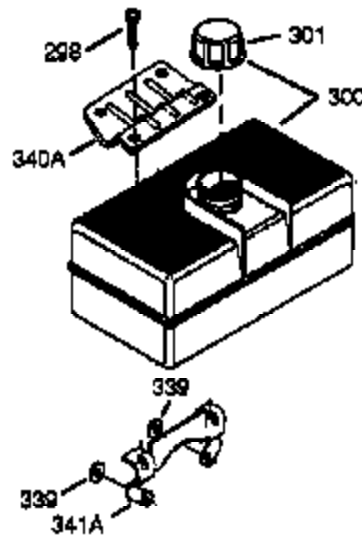
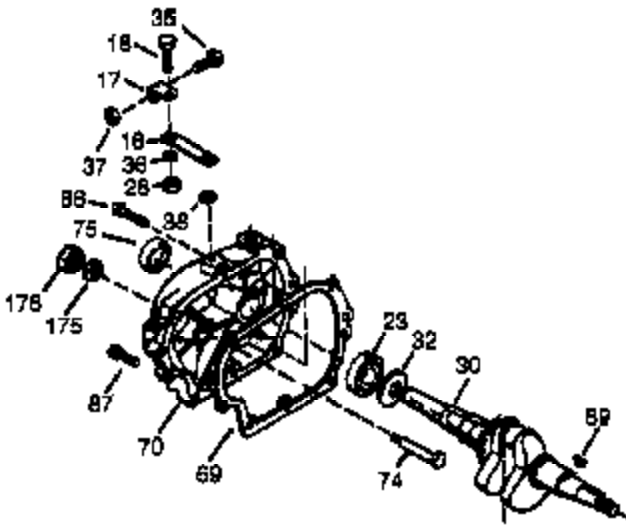
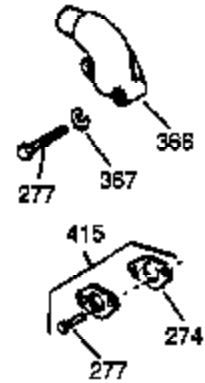
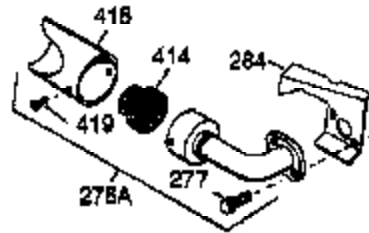
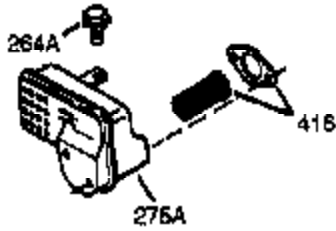
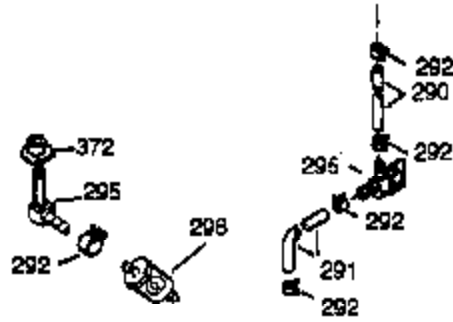


Engine Parts List #2

| Ref # | Part Number | Qty | Description |
|-------|-------------|-----|-----------------------------------|
| 1 | 35385 | 1 | Cylinder (Incl. 2 & 20) |
| 2 | 27652 | 2 | Dowel Pin |
| 72 | 27642 | 2 | Oil Drain Plug |
| 129 | 650727 | 2 | Screw, 5/16-18 x 1-3/4" |
| 131A | 650713 | 2 | Screw, 5/16-18 x 5/8" |
| 169 | 27896A | 2 | * Valve Cover Gasket |
| 170 | 28423 | 1 | Breather Body |
| 171 | 28424 | 1 | Breather Element |
| 172 | 28425 | 1 | Valve Cover |
| 174 | 650128 | 2 | Screw, 10-24 x 1/2" |
| 178 | 29752 | 2 | Nut & Lock Washer, 1/4-28 |
| 207 | 33878 | 1 | Throttle Link |
| 238 | 28820 | 2 | Screw, 10-32 x 1/2" |
| 239 | 27272A | 1 | * Air Cleaner Gasket |
| 240 | 33266 | 1 | Air Cleaner Body |
| 242 | 33267 | 1 | Air Cleaner Bracket |
| 245 | 33268 | 1 | Air Cleaner Filter |
| 250 | 33269A | 1 | Air Cleaner Cover |
| 251 | 650513 | 1 | Wing Nut, 1/4-20 |
| 275 | 34185A | 1 | Muffler |
| 276 | 31588 | 1 | Locking Plate |
| 277 | 650729 | 2 | Screw, 5/16-18 x 3-3/16" |
| 290 | 30705 | 1 | Fuel Line |
| 292 | 26460 | 2 | Fuel Line Clamp |
| 308 | 35540 | 1 | Fill Tube Clip |
| 370C | 35274 | 1 | Instruction Decal |
| 380 | 632351 | 1 | Carburetor (Incl. 184) |
| 420 | 730225 | 1 | SAE 30 4-Cycle Engine Oil (Quart) |

ILLUSTRATION SHOWS TYPICAL PARTS ONLY. ORDER BY PART NUMBER. PARTS NOT LISTED ARE SUPPLIED BY OEM.

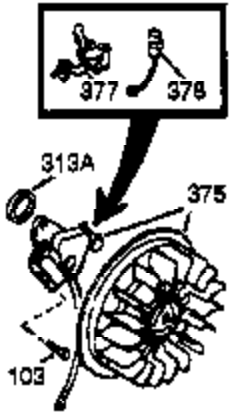
VIEW 3 OF 4



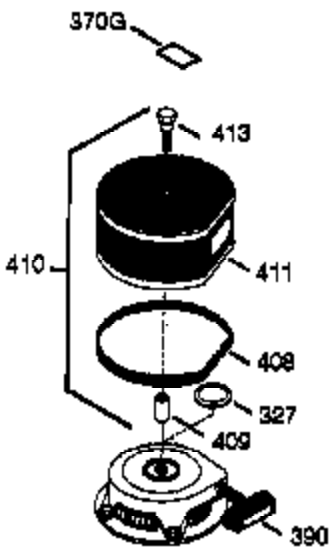
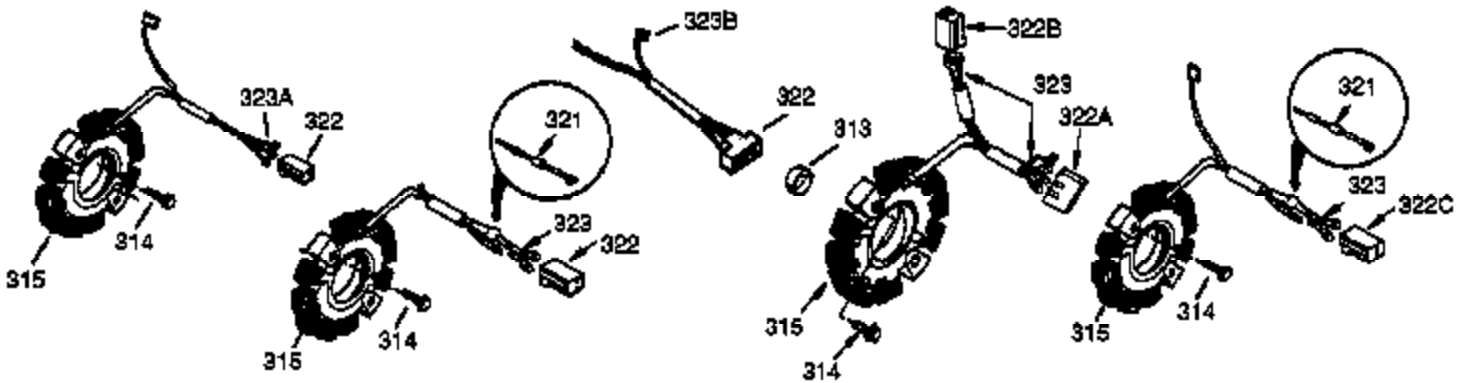
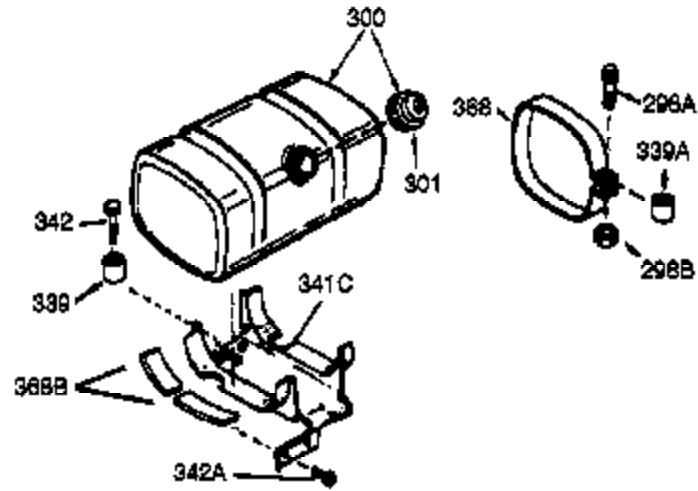
| Ref # | Part Number | Qty | Description |
|-------|-------------|-----|-----------------------------------|
| 16 | 33454 | 1 | Governor Lever |
| 17 | 29916 | 1 | Governor Lever Clamp |
| 18 | 650548 | 1 | Screw, 8-32 x 5/16" |
| 23 | 33627 | 1 | Ball Bearing |
| 28 | 30322 | 1 | Lock Nut, 8-32 |
| 30 | 35420A | 1 | Crankshaft |
| 32 | 33628 | 1 | Washer |
| 35 | 29826 | 1 | Screw, 10-32 x 3/4" |
| 36 | 29918 | 1 | Lock Washer |
| 37 | 29216 | 1 | Lock Nut, 10-32 |
| 38 | 29642 | 1 | Retaining Ring |
| 69 | 35262 | 1 | * Cylinder Cover Gasket |
| 70 | 33626B | 1 | Cylinder Cover (Incl. 75 & 80) |
| 74 | 31855 | 2 | Bearing Retainer |
| 75 | 33625 | 1 | Oil Seal |
| 86 | 650833 | 7 | Screw, 1/4-20 x 1-3/16" |
| 87 | 650832 | 1 | Screw, 1/4-20 x 1-11/16" |
| 89 | 32589 | 1 | Flywheel Key |
| 92 | 650880 | 1 | Lock Washer |
| 129 | 650727 | 2 | Screw, 5/16-18 x 1-3/4" |
| 131A | 650713 | 2 | Screw, 5/16-18 x 5/8" |
| 175 | 650778 | 2 | Lock Washer |
| 176 | 650580 | 2 | Lock Nut, 10-24 |
| 264A | 650802 | 1 | Screw, 1/4-20 x 5/8" |
| 277 | 650729 | 2 | Screw, 5/16-18 x 3-3/16" |
| 285 | 35985 | 1 | Starter Cup |
| 290 | 30705 | 1 | Fuel Line |
| 292 | 26460 | 2 | Fuel Line Clamp |
| 298 | 650665 | 2 | Screw, 1/4-15 x 3/4" |
| 300 | 34156A | 1 | Fuel Tank (Incl. 292 & 301) |
| 301 | 35355 | 1 | Fuel Cap |
| 308 | 35540 | 1 | Fill Tube Clip |
| 390 | 590671 | 1 | Rewind Starter |
| 420 | 730225 | 1 | SAE 30 4-Cycle Engine Oil (Quart) |

ILLUSTRATION SHOWS TYPICAL PARTS ONLY. ORDER BY PART NUMBER. PARTS NOT LISTED ARE SUPPLIED BY OEM.

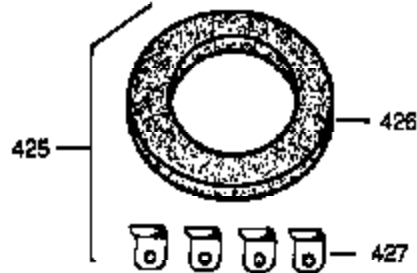
VIEW 4 OF 4



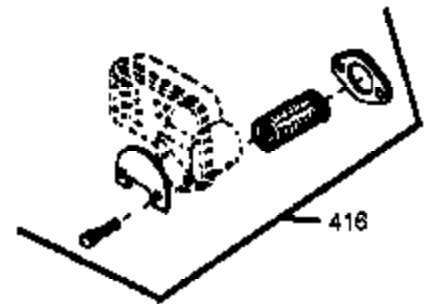
STD. POINT



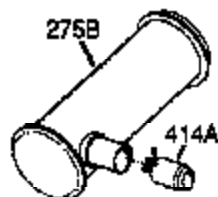
OPTIONAL DEBRIS SCREEN KIT



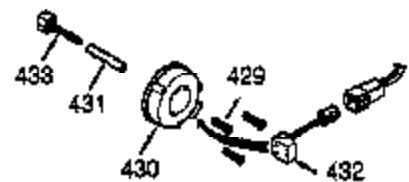
OPTIONAL STARTER MUFF KIT



OPTIONAL SPARK ARRESTOR KIT



OPTIONAL QUIET MUFFLER



OPTIONAL ADD-ON ALTERNATOR AC LIGHTING OR DC CHARGING

| Ref # | Part Number | Qty | Description |
|-------|-------------|-----|-----------------------------------|
| 103 | 650814 | 2 | Screw, Torx T-15, 10-24 x 1" |
| 129 | 650727 | 2 | Screw, 5/16-18 x 1-3/4" |
| 131A | 650713 | 2 | Screw, 5/16-18 x 5/8" |
| 300 | 34156A | 1 | Fuel Tank (Incl. 292 & 301) |
| 301 | 35355 | 1 | Fuel Cap |
| 308 | 35540 | 1 | Fill Tube Clip |
| 327 | 35392 | 1 | Starter Plug |
| 342 | 650561 | 1 | Screw, 1/4-20 x 5/8" |
| 390 | 590671 | 1 | Rewind Starter |
| 420 | 730225 | 1 | SAE 30 4-Cycle Engine Oil (Quart) |