



Engine Parts List #1

Ref #	Part Number	Qty	Description
	1 35385		Cylinder (Incl. 2,20,72,72A) (3-1/8" Bore)
	2 27652		Pin, Dowel
	3 650820		Screw, 1/4-20 x 1/2"
	4 30968		Nipple, Pipe
	5 30969		Cap, Oil drain
	15A 30700		Yoke, Governor
	15 30699C		Rod Assy., Governor (Incl. 15A & 15B)
	15B 650494		Screw, 6-40 x 5/16"
	16 33454		Governor Lever Assy.
	17 29916		Clamp, Governor lever
	18 650548		Screw, 8-32 x 5/16"
	20 35319		Seal, Oil
	25 36460		Baffle, Blower housing
	26 650561		Screw, 1/4-20 x 5/8"
	30 36245		Crankshaft
	35 29826		Screw, 10-32 x 3/4"
	36 29918		Lockwasher, # 8 E.T.
	37 29216		Nut & Lockwasher, 10-32
	37A 30322		Locknut, 8-32
	38 29642		Ring, Retaining
	40 34552		Piston, Pin & Ring Set (Std.) (3-1/8" Bore)
	40 34553		Piston, Pin & Ring Set (.010" OS)
	40 34554		Piston, Pin & Ring Set (.020" OS)
	41 34329A		Piston & Pin Ass'y. (3-1/8")(Std.)(In cl. 43)
	41 34330A		Piston & Pin Ass'y. (.010" OS) (Incl. 43)
	41 34331A		Piston & Pin Ass'y. (.020" OS) (Incl. 43)
	42 34332		Ring Set (Std.) (3-1/8" Bore)
	42 34333		Ring Set (.010" OS)
	42 34334		Ring Set (.020" OS)
	43 27888		Ring, Piston pin retaining
	45 35373A		Rod Assy., Connecting (Incl. 49)
	46 650908		Bolt, Connecting rod
	47 650882		Bolt, Connecting rod
	48 34034		Lifter, Valve
	49 35374		Dipper, Oil
	50 35444		Camshaft (MCR) (Extended)
	60 33273A		Extension, Blower housing
	61 34126		Bracket, Grommet mounting
	62 650760		Screw, 8-32 x 3/8"
	63 28545		Grommet, Plastic
	65 650128		Screw, 10-24 x 1/2"
	69 35262		* Gasket, Cylinder cover
	70 35445		Cover, Cylinder (Incl. 75, 76 & 80)
	71 35377		Bushing, Crankshaft
	72 27642		Plug, Oil drain
	75 35319		Seal, Oil
	76 28926		Seal, Oil
	80 31845		Shaft, Mechanical governor
	81 30590A		Washer, Flat
	82 35378		Gear Assy., Governor (Incl. 81)
	83 30588A		Spool, Governor
	84 29193		Ring, Retaining
	86 650833		Screw, 1/4-20 x 1-3/16"
	87 650832		Screw, 1/4-20 x 1-11/16"
	89 32589		Key, Flywheel
	90 611093		Flywheel (3 amp, w/ring gear)
	92 650880		Washer, Belleville
	93 650881		Hex Nut, 5/8-18

Ref #	Part Number	Qty	Description
100	35135		Lamination Assy., Solid State
102	650872		Stud, Lamination mounting
103	650814		Screw, Torx T-15, 10-24 x 1"
110	35253		Ground Wire
119	34041A		* Gasket, Head
120	34030A		Head, Cylinder
125	27878A		Exhaust Valve (Std.) (Incl. 151)
125	27880A		Exhaust Valve (1/32" OS) (Incl. 151)
126	34035		Intake Valve (Std.) (Incl. 151)
126	34036		Intake Valve (1/32" OS) (Incl. 151)
127	650691		Washer (Use as req., but not w/6021A screw)
128	650690		Washer, Belleville
129	650727		Screw, 5/16-18 x 1-3/4" (Use as required)
130A	6021A		Screw, 5/16-18 x 1-1/2" (Use as req.,but not w/650691 washer)
130	650694A		Screw, 5/16-18 x 2" (Use as required)
131A	650713		Screw, 5/16-18 x 5/8" (Use as required)
139	33369		Bracket, Governor gear
140	650836		Screw, 10-24 x 1/2"
149A	27882		Cap, Upper valve spring
149A	35862		Seal Assy., Intake valve
149	27882		Cap, Upper valve spring
150	27881		Spring, Valve
151	32581		Cap, Lower valve spring
169	27896A		* Gasket, Breather cover
170	28423		Body, Breather
171	28424		Element, Breather
172	28425		Cover, Valve spring
173	35350		Tube, Breather
178	29752		Nut & Lockwasher, 1/4-28
182	30088A		Screw, 1/4-28 x 1"
183	34587		Bracket, Choke
184	33263		* Gasket, Carburetor
185	33877		Pipe, Intake
186A	34667		Link, Governor
200	34677		Control Bracket (Incl. 203, 204, 206 & 209)
203	31342		Spring, Compression
204	650549		Screw, 5-40 x 7/16"
206	610973		Terminal Assy. (Use as required)
207	33878		Link, Governor-to-throttle
209	650821		Screw, 10-32 x 1/2"
211	28820		Screw, 10-32 x 1/2"
215	35440		Knob, Control
219	34586		Rod, Choke
220	35438		Knob, Control
222	28820		Screw, 10-32 x 1/2"
223	650378		Screw, Torx T-30, 5/16-18 x 1-1/8"
224	27915A		* Gasket, Intake pipe
260	35447A		Blower Housing (For electric starter)
261	650788		Screw, 5/16-18 x 3/4"
262	29747B		Screw, 5/16-24 x 21/32"
265	33272B		Cover, Cylinder head
275	35056		Muffler
276	35740		Plate, Muffler locking
281	33013		Cover, Starter bubble
282	650760		Screw, 8-32 x 3/8"
285	35287		Cup, Starter

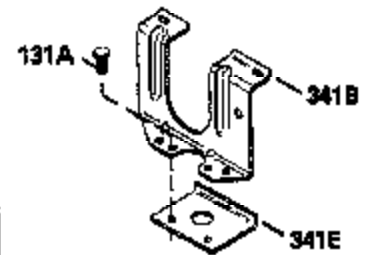
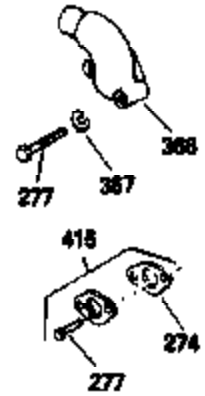
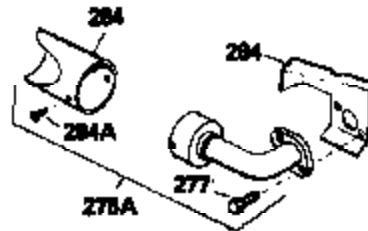
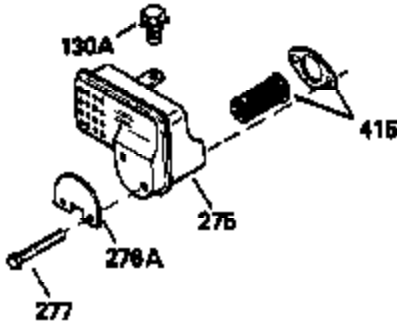
Ref #	Part Number	Qty	Description
286	35446		Screen, Starter (Stationary)
287	29752		Nut & Lockwasher, 1/4-28
290	30705		Fuel Line (Braided 16") (41 cm)
292	26460		Clamp, Fuel line
298	650665		Screw, 1/4-15 x 7/8"
300	34156A		Fuel Tank (Incl. 292 & 301) NOTE: These tanks were built with different size fuel inlet openings. Tanks with the 1-3/16" I.D. opening use fuel cap 34210. Tanks with the 1-1/2" I.D. opening use fuel cap 35355.
301	35355		Fuel Cap
305	35554		Tube, Oil fill
306	35499		"O" Ring
310	36205		Dipstick
325B	29443		Clip, Fuel line (Use as required)
325	34246		Clip, Ground wire (Use as required)
327	35392		Plug, Starter
329	610973		Terminal Assy.
330	34069		Wire Harness (6-3/4") (7 Amp)
337	35058		Cover, Carburetor
338	28942		Screw, 10-32 x 3/8"
340	34154		Plate, Fuel tank mounting
342	650561		Screw, 1/4-20 x 5/8"
350	570682		Primer Assy.
351	32180C		Primer Line
355	590574		Handle, Mitten grip
356	650168		Washer, Flat
364	33377		Bracket, Carburetor cover mounting
365	650767		Screw, 8-32 x 27/64"
370A	34686		Decal, Name
370B	34387		Decal, Instruction Can be used on HM80 with stamped steel recoil starter.
370	35274		Decal, Instruction
370J	34870		Decal, Instruction Can be used on HM80 with diecast starter.
379	631021		Inlet Needle, Seat & Clip Assy.
380	632334A		Carburetor (Incl. 184) (Refer to Division 5, Section A, page A3-10 for breakdown or Fiche 18A-2, Grid F-3)
390	590630		Rewind Starter (Refer to Division 5, Section C, page 30 for breakdown or Fiche 18A-2, Grid G-1)
400	33279G		Gasket Set (Incl. items marked*)
407	35836		Fill Tube & Dipstick Assy. (Incl. 306 & 308)
420	730225		SAE 30, 4-Cycle Engine Oil (Quart)
421	730226		SAE 5W30, 4-Cycle Engine Oil (Quart)

ILLUSTRATION SHOWS TYPICAL PARTS ONLY. ORDER BY PART NUMBER. PARTS NOT LISTED ARE SUPPLIED BY OEM.



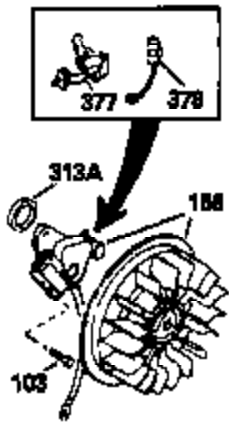
Ref #	Part Number	Qty	Description
1	35385		Cylinder (Incl. 2,20,72,72A) (3-1/8" Bore)
2	27652		Pin, Dowel
3	650820		Screw, 1/4-20 x 1/2"
4	30968		Nipple, Pipe
72	27642		Plug, Oil drain
110	35253		Ground Wire
169	27896A		* Gasket, Breather cover
170	28423		Body, Breather
171	28424		Element, Breather
172	28425		Cover, Valve spring
173	35350		Tube, Breather
178	29752		Nut & Lockwasher, 1/4-28
207	33878		Link, Governor-to-throttle
227	730127		Air Cleaner Ass'y. (Incl. 238, 239, 240, 241, 243, 245 & 370)(Use as required)
227	730164		Air Cleaner Ass'y. (Incl. 238, 239, 240, 241, 243 & 245) (Use as required)
228	650824		Stud, 1/4-20 x 7.33 (Use as required)
228	650851		Stud, 1/4-20 x 8.1 (Use as required)(Used with drilled thru elbow)
275	35056		Muffler
276	35740		Plate, Muffler locking
291	29774		Fuel Line (Braided 8-1/4") (21 cm)
292	26460		Clamp, Fuel line
305	35554		Tube, Oil fill
306	35499		"O" Ring
370J	34870		Decal, Instruction Can be used on HM80 with diecast starter.
370B	34387		Decal, Instruction Can be used on HM80 with stamped steel recoil starter.
380	632334A		Carburetor (Incl. 184) (Refer to Division 5, Section A, page A3-10 for breakdown or Fiche 18A-2, Grid F-3)

ILLUSTRATION SHOWS TYPICAL PARTS ONLY. ORDER BY PART NUMBER. PARTS NOT LISTED ARE SUPPLIED BY OEM.

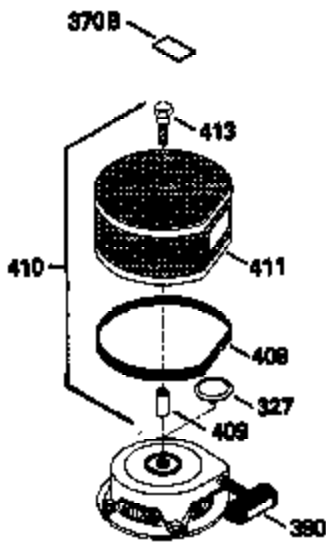
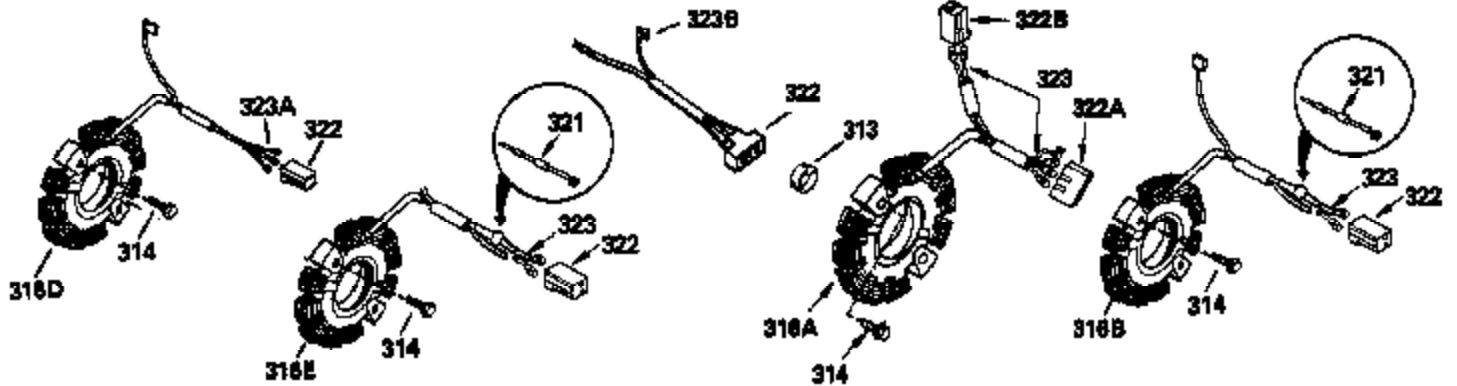
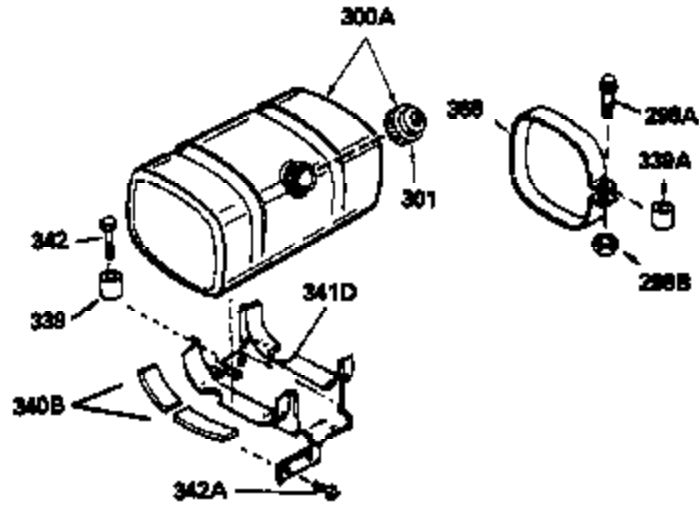


Ref #	Part Number	Qty	Description
16	33454		Governor Lever Assy.
17	29916		Clamp, Governor lever
18	650548		Screw, 8-32 x 5/16"
30	36245		Crankshaft
35	29826		Screw, 10-32 x 3/4"
36	29918		Lockwasher, # 8 E.T.
37A	30322		Locknut, 8-32
37	29216		Nut & Lockwasher, 10-32
38	29642		Ring, Retaining
69	35262		* Gasket, Cylinder cover
70	35445		Cover, Cylinder (Incl. 75, 76 & 80)
75	35319		Seal, Oil
86	650833		Screw, 1/4-20 x 1-3/16"
87	650832		Screw, 1/4-20 x 1-11/16"
89	32589		Key, Flywheel
130A	6021A		Screw, 5/16-18 x 1-1/2" (Use as req.,but not w/650691 washer)
131	650802		Screw, 1/4-20 x 5/8" (Use as required)
131	650738		Screw, 1/4-20 x 5/8 (Use as required)
131A	650713		Screw, 5/16-18 x 5/8" (Use as require d)
274	35865		Gasket, Exhaust (Use as required)
275	35056		Muffler
292A	35864		Clamp, Fuel line
296	34279B		Filter, Inline fuel (Incl. 292A)
298	650665		Screw, 1/4-15 x 7/8"
301	35355		Fuel Cap
314	650873		Screw, 1/4-20 x 3/4"
316	611111		Alternator Coil (18 Watt) (Incl. 323B)
341C	34155		Bracket, Fuel tank mounting
369	35857		Valve, Fuel shut-off
370J	34870		Decal, Instruction Can be used on HM80 with diecast starter.
415	730130		Exh.Adaptor Kit (Incl.274,277)(As req uired)

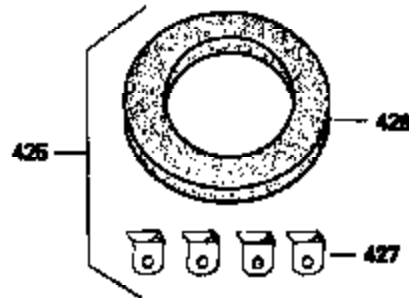
ILLUSTRATION SHOWS TYPICAL PARTS ONLY. ORDER BY PART NUMBER. PARTS NOT LISTED ARE SUPPLIED BY OEM.



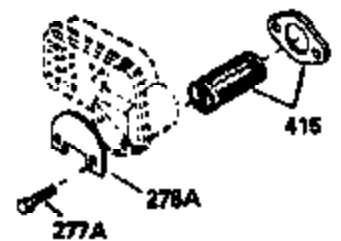
STD. POINT



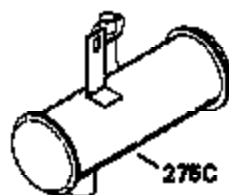
OPTIONAL DEBRIS SCREEN KIT



OPTIONAL STARTER MUFF KIT



OPTIONAL SPARK ARRESTOR KIT



OPTIONAL QUIET MUFFLER



OPTIONAL ADD-ON ALTERNATOR AC LIGHTING OR DC CHARGING

Ref #	Part Number	Qty	Description
103	650814		Screw, Torx T-15, 10-24 x 1"
275C	35824		Muffler (Optional quiet muffler)
277A	650696		Screw, 5/16-18 x 2-3/4" (Used with 27 6A)
301	35355		Fuel Cap
314	650873		Screw, 1/4-20 x 3/4"
323B	611118		Terminal
327	35392		Plug, Starter
342	650561		Screw, 1/4-20 x 5/8"
370J	34870		Decal, Instruction Can be used on HM80 with diecast starter.
370B	34387		Decal, Instruction Can be used on HM80 with stamped steel recoil starter.
390	590630		Rewind Starter (Refer to Division 5, Section C, page 30 for breakdown or Fiche 18A-2, Grid G-1)
408	35570		Seal, Screen (Can be used on HM80 with stamped steel recoil starter.)
409	35569		Spacer, Screen
410	730573		Debris Screen Kit (Incl. 327, 370B, 408, 409, 411 & 413)
411	35568		Screen, Debris
413	650907		Screw, 5/16-18 x 1-5/8" (Can be used on HM80 with stamped steel recoil starter)
415	730130		Exh.Adaptor Kit (Incl.274,277)(As required)
425	730572		Starter Muff Kit (Incl. 370J, 426 & 4 27)
426	34687		Air cleaner, Starter
427	34869		Starter Air Cleaner Bracket (Optional)
429	650868		Screw, 8-18 x 1-1/8" (3 Required)
430	611077		Alternator, Add on
431	590609		Centering tube (Use with engines equipped with diecast aluminum starter)
431	590610		Centering tube
432	611078		A.C. Lighting Connector
432	611079		D.C. Charging Connector
433	590611		Alternator Shaft (4.00") (Use with engines equipped with diecast aluminum starter)
433	590636		Alternator Shaft (Use with engines equipped with stamped steel starter) (Use as required) (Refer to Mechanic's Handbook for installation instructions).