

Engine Parts List #1

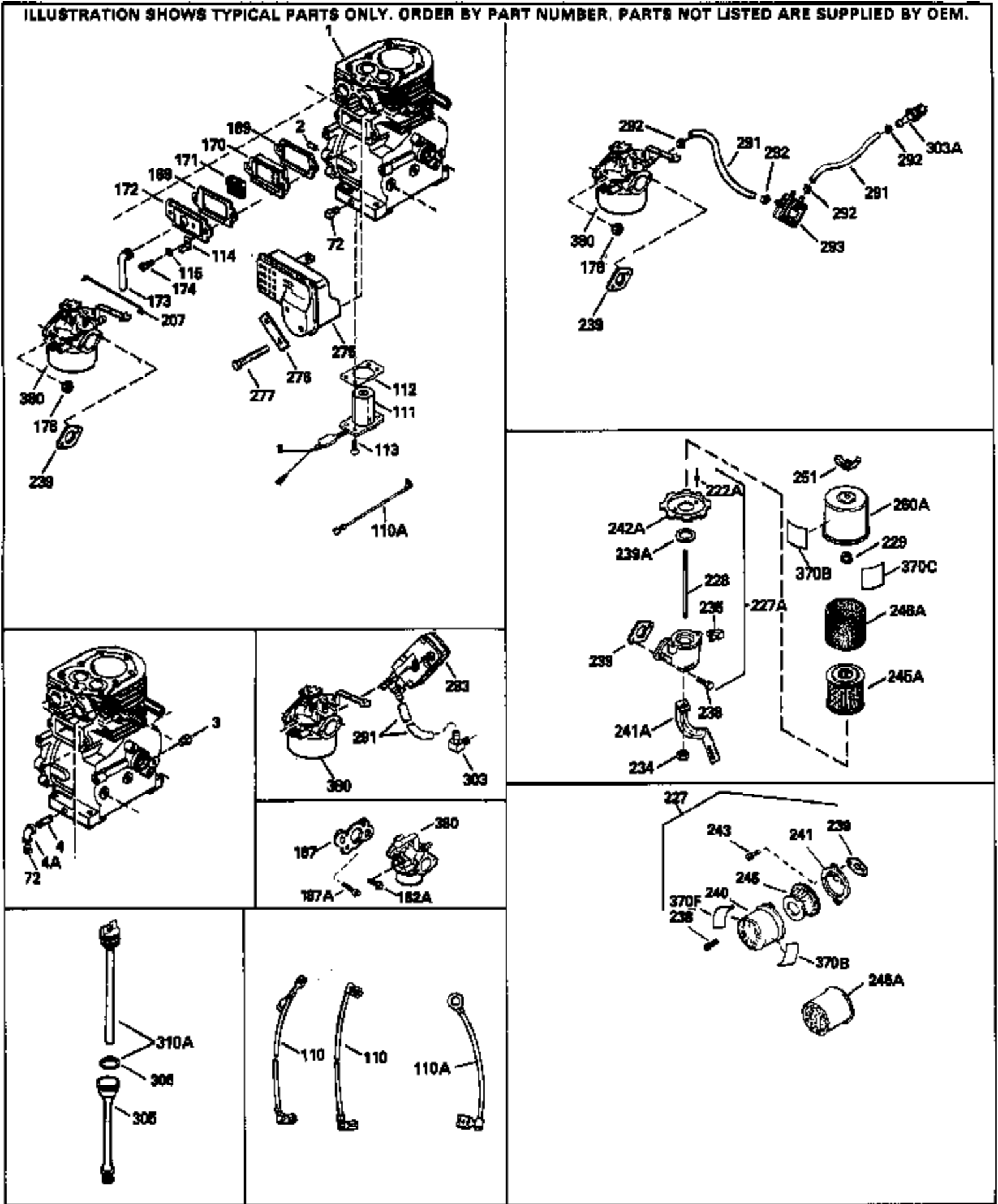
Ref #	Part Number	Qty	Description
1	35385		Cylinder (Incl. 2,20,72,72A) (3-1/8" Bore)
2	27652		Pin, Dowel
3	650820		Screw, 1/4-20 x 1/2"
4	30968		Nipple, Pipe
5	30969		Cap, Oil drain
15A	30700		Yoke, Governor
15	30699C		Rod Assy., Governor (Incl. 15A & 15B)
15B	650494		Screw, 6-40 x 5/16"
16	33454		Governor Lever Assy.
17	29916		Clamp, Governor lever
18	650548		Screw, 8-32 x 5/16"
20	35319		Seal, Oil
25	36460		Baffle, Blower housing
26	650561		Screw, 1/4-20 x 5/8"
30	35443A		Crankshaft
35	29826		Screw, 10-32 x 3/4"
36	29918		Lockwasher, # 8 E.T.
37	29216		Nut & Lockwasher, 10-32
37A	30322		Locknut, 8-32
38	29642		Ring, Retaining
40	34552		Piston, Pin & Ring Set (Std.) (3-1/8" Bore)
40	34553		Piston, Pin & Ring Set (.010" OS)
40	34554		Piston, Pin & Ring Set (.020" OS)
41	34329A		Piston & Pin Ass'y. (3-1/8")(Std.)(In cl. 43)
41	34330A		Piston & Pin Ass'y. (.010" OS) (Incl. 43)
41	34331A		Piston & Pin Ass'y. (.020" OS) (Incl. 43)
42	34332		Ring Set (Std.) (3-1/8" Bore)
42	34333		Ring Set (.010" OS)
42	34334		Ring Set (.020" OS)
43	27888		Ring, Piston pin retaining
45	35373A		Rod Assy., Connecting (Incl. 49)
46	650908		Bolt, Connecting rod
47	650882		Bolt, Connecting rod
48	34034		Lifter, Valve
49	35374		Dipper, Oil
50	35375		Camshaft (MCR)
60	33273A		Extension, Blower housing
61	34126		Bracket, Grommet mounting
62	650760		Screw, 8-32 x 3/8"
63	28545		Grommet, Plastic
65	650128		Screw, 10-24 x 1/2"
69	35262		* Gasket, Cylinder cover
70	35376		Cover, Cylinder (Incl. 75, 80, 311 & 312)
71	35377		Bushing, Crankshaft
72	27642		Plug, Oil drain
75	35319		Seal, Oil
80	31845		Shaft, Mechanical governor
81	30590A		Washer, Flat
82	35378		Gear Assy., Governor (Incl. 81)
83	30588A		Spool, Governor
84	29193		Ring, Retaining
86	650833		Screw, 1/4-20 x 1-3/16"
87	650832		Screw, 1/4-20 x 1-11/16"
89	32589		Key, Flywheel
90	611093		Flywheel (3 amp, w/ring gear)
92	650880		Washer, Belleville
93	650881		Hex Nut, 5/8-18
100	35135		Lamination Assy., Solid State

Engine Parts List #1

Ref #	Part Number	Qty	Description
102	650872		Stud, Lamination mounting
103	650814		Screw, Torx T-15, 10-24 x 1"
110	35253		Ground Wire
119	34041A		* Gasket, Head
120	34030A		Head, Cylinder
125	27878A		Exhaust Valve (Std.) (Incl. 151)
125	27880A		Exhaust Valve (1/32" OS) (Incl. 151)
126	34035		Intake Valve (Std.) (Incl. 151)
126	34036		Intake Valve (1/32" OS) (Incl. 151)
127	650691		Washer (Use as req., but not w/6021A screw)
128	650690		Washer, Belleville
129	650727		Screw, 5/16-18 x 1-3/4" (Use as required)
130	650694A		Screw, 5/16-18 x 2" (Use as required)
130A	6021A		Screw, 5/16-18 x 1-1/2" (Use as req.,but not w/650691 washer)
131A	650713		Screw, 5/16-18 x 5/8" (Use as required)
139	33369		Bracket, Governor gear
140	650836		Screw, 10-24 x 1/2"
149	27882		Cap, Upper valve spring
149A	27882		Cap, Upper valve spring
149A	35862		Seal Assy., Intake valve
150	27881		Spring, Valve
151	32581		Cap, Lower valve spring
169	27896A		* Gasket, Breather cover
170	28423		Body, Breather
171	28424		Element, Breather
172	28425		Cover, Valve spring
173	35350		Tube, Breather
178	29752		Nut & Lockwasher, 1/4-28
182	30088A		Screw, 1/4-28 x 1"
183	34587		Bracket, Choke
184	33263		* Gasket, Carburetor
185	33877		Pipe, Intake
186A	34667		Link, Governor
200	34677		Control Bracket (Incl. 203, 204, 206 & 209)
203	31342		Spring, Compression
204	650549		Screw, 5-40 x 7/16"
206	610973		Terminal Assy. (Use as required)
207	33878		Link, Governor-to-throttle
209	650821		Screw, 10-32 x 1/2"
211	28820		Screw, 10-32 x 1/2"
215	35440		Knob, Control
219	34586		Rod, Choke
220	35438		Knob, Control
222	28820		Screw, 10-32 x 1/2"
223	650378		Screw, Torx T-30, 5/16-18 x 1-1/8"
224	27915A		* Gasket, Intake pipe
260	35447A		Blower Housing (For electric starter)
261	650788		Screw, 5/16-18 x 3/4"
262	29747B		Screw, 5/16-24 x 21/32"
265	33272B		Cover, Cylinder head
275	35056		Muffler
276	35740		Plate, Muffler locking
277	651002		Screw, 5/16-18 x 4-3/16"
281	33013		Cover, Starter bubble
282	650760		Screw, 8-32 x 3/8"
285	35287		Cup, Starter

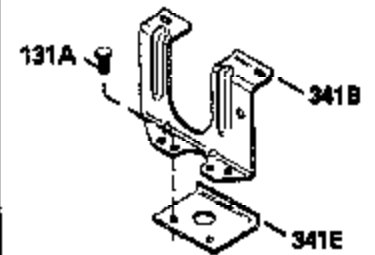
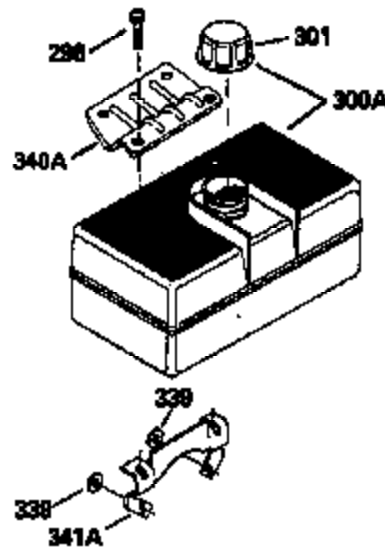
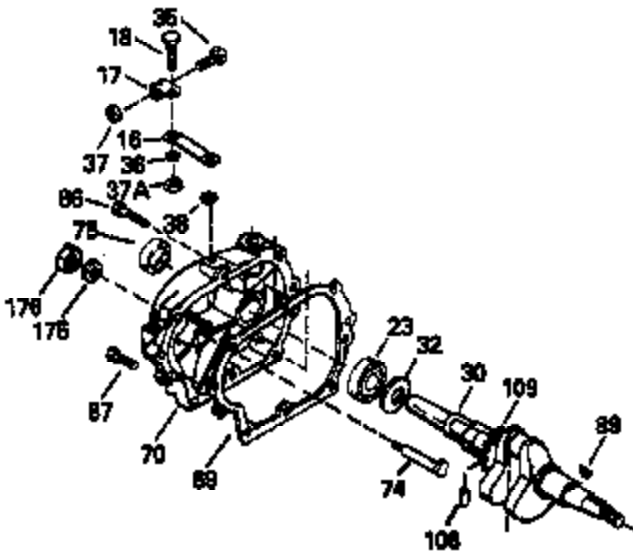
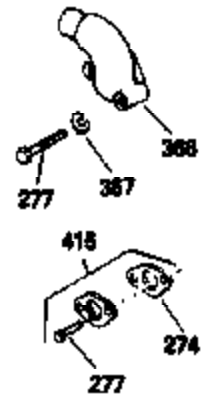
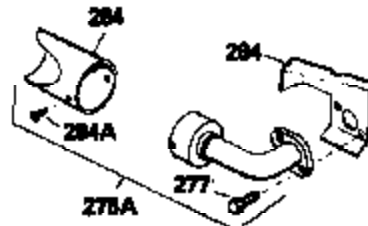
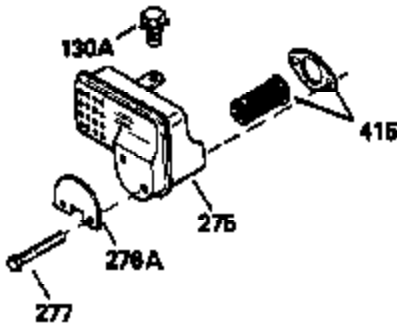
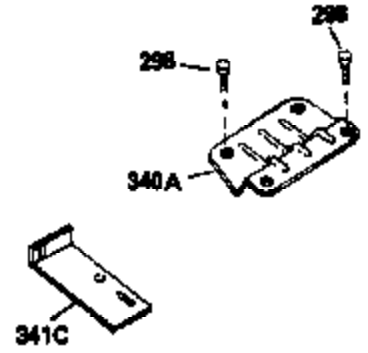
Ref #	Part Number	Qty	Description
286	35446		Screen, Starter (Stationary)
287	29752		Nut & Lockwasher, 1/4-28
290	30705		Fuel Line (Braided 16") (41 cm)
292	26460		Clamp, Fuel line
298	650665		Screw, 1/4-15 x 7/8"
300	34156A		Fuel Tank (Incl. 292 & 301) NOTE: These tanks were built with different size fuel inlet openings. Tanks with the 1-3/16" I.D. opening use fuel cap 34210. Tanks with the 1-1/2" I.D. opening use fuel cap 35355.
301	35355		Fuel Cap
305	35554		Tube, Oil fill
306	35499		"O" Ring
308	35540		Clip, Fill tube
310	35555		Dipstick
325	34246		Clip, Ground wire (Use as required)
325B	29443		Clip, Fuel line (Use as required)
327	35392		Plug, Starter
328	35593		Key, Push in switch
329	610973		Terminal Assy.
330	35305		Wire, Ground
330	34069		Wire Harness (6-3/4") (7 Amp)
337	35057A		Cover, Carburetor
338	28942		Screw, 10-32 x 3/8"
340	34154		Plate, Fuel tank mounting
342	650561		Screw, 1/4-20 x 5/8"
350	570682		Primer Assy.
351	32180C		Primer Line
355	590574		Handle, Mitten grip
356	650168		Washer, Flat
364	33377		Bracket, Carburetor cover mounting
365	650767		Screw, 8-32 x 27/64"
370	34416		Decal, Instruction
370	35274		Decal, Instruction
370J	34870		Decal, Instruction Can be used on HM80 with diecast starter.
370A	34686		Decal, Name
370B	34387		Decal, Instruction Can be used on HM80 with stamped steel recoil starter.
370C	34417		Decal, Primer
370E	35077		Decal, Instruction
379	631021		Inlet Needle, Seat & Clip Assy.
380	632334A		Carburetor (Incl. 184) (Refer to Division 5, Section A, page A3-10 for breakdown or Fiche 18A-2, Grid F-3)
390	590630		Rewind Starter (Refer to Division 5, Section C, page 30 for breakdown or Fiche 18A-2, Grid G-1)
400	33279G		Gasket Set (Incl. items marked*)
407	35836		Fill Tube & Dipstick Assy. (Incl. 306 & 308)
420	730225		SAE 30, 4-Cycle Engine Oil (Quart)
421	730226		SAE 5W30, 4-Cycle Engine Oil (Quart)

ILLUSTRATION SHOWS TYPICAL PARTS ONLY. ORDER BY PART NUMBER. PARTS NOT LISTED ARE SUPPLIED BY OEM.



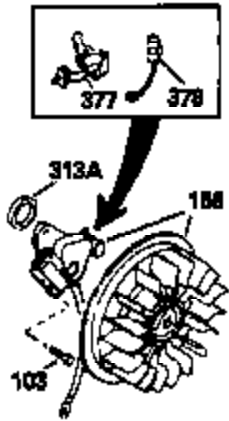
Ref #	Part Number	Qty	Description
1	35385		Cylinder (Incl. 2,20,72,72A) (3-1/8" Bore)
2	27652		Pin, Dowel
3	650820		Screw, 1/4-20 x 1/2"
4	30968		Nipple, Pipe
72	27642		Plug, Oil drain
110	35253		Ground Wire
169	27896A		* Gasket, Breather cover
170	28423		Body, Breather
171	28424		Element, Breather
172	28425		Cover, Valve spring
173	35350		Tube, Breather
178	29752		Nut & Lockwasher, 1/4-28
207	33878		Link, Governor-to-throttle
227	730127		Air Cleaner Ass'y. (Incl. 238, 239, 240, 241, 243, 245 & 370)(Use as required)
227	730164		Air Cleaner Ass'y. (Incl. 238, 239, 240, 241, 243 & 245) (Use as required)
228	650824		Stud, 1/4-20 x 7.33 (Use as required)
228	650851		Stud, 1/4-20 x 8.1 (Use as required)(Used with drilled thru elbow)
275	35056		Muffler
276	35740		Plate, Muffler locking
277	651002		Screw, 5/16-18 x 4-3/16"
292	26460		Clamp, Fuel line
305	35554		Tube, Oil fill
306	35499		"O" Ring
370J	34870		Decal, Instruction Can be used on HM80 with diecast starter.
370B	34387		Decal, Instruction Can be used on HM80 with stamped steel recoil starter.
370C	34417		Decal, Primer
380	632334A		Carburetor (Incl. 184) (Refer to Division 5, Section A, page A3-10 for breakdown or Fiche 18A-2, Grid F-3)

ILLUSTRATION SHOWS TYPICAL PARTS ONLY. ORDER BY PART NUMBER. PARTS NOT LISTED ARE SUPPLIED BY OEM.

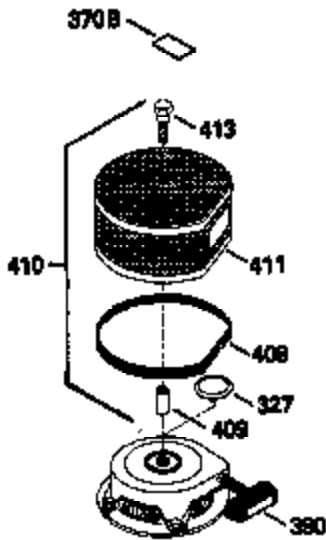
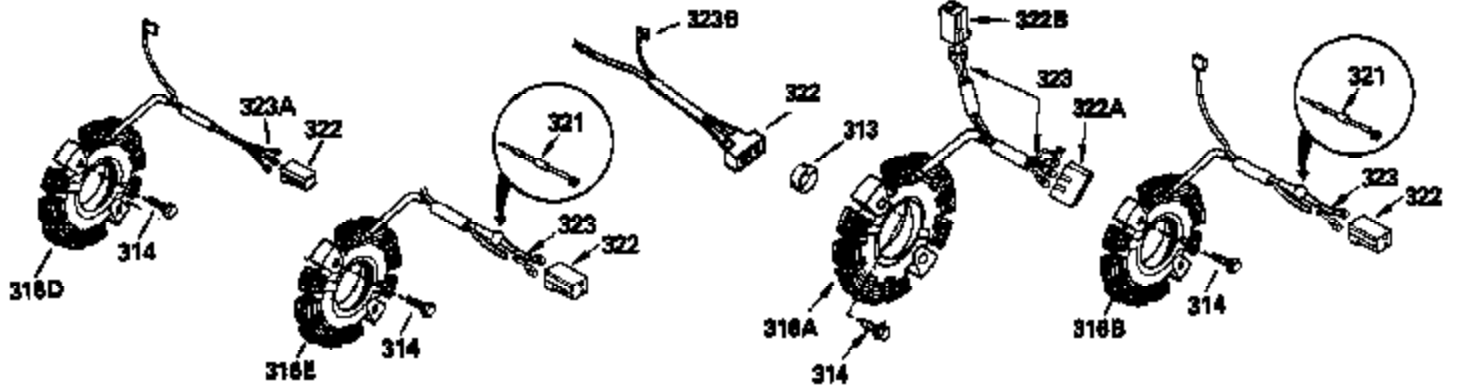
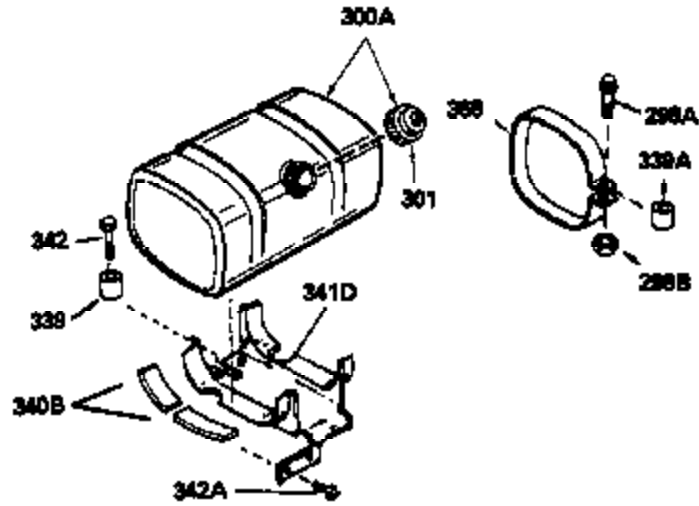


Ref #	Part Number	Qty	Description
	16 33454		Governor Lever Assy.
	17 29916		Clamp, Governor lever
	18 650548		Screw, 8-32 x 5/16"
	30 35443A		Crankshaft
	35 29826		Screw, 10-32 x 3/4"
	36 29918		Lockwasher, # 8 E.T.
	37 29216		Nut & Lockwasher, 10-32
	37A 30322		Locknut, 8-32
	38 29642		Ring, Retaining
	69 35262		* Gasket, Cylinder cover
	70 35376		Cover, Cylinder (Incl. 75, 80, 311 & 312)
	75 35319		Seal, Oil
	86 650833		Screw, 1/4-20 x 1-3/16"
	87 650832		Screw, 1/4-20 x 1-11/16"
	89 32589		Key, Flywheel
	130A 6021A		Screw, 5/16-18 x 1-1/2" (Use as req.,but not w/650691 washer)
	131A 650713		Screw, 5/16-18 x 5/8" (Use as require d)
	131 650802		Screw, 1/4-20 x 5/8" (Use as required)
	131 650738		Screw, 1/4-20 x 5/8 (Use as required)
	274 35865		Gasket, Exhaust (Use as required)
	275 35056		Muffler
	277 651002		Screw, 5/16-18 x 4-3/16"
	298 650665		Screw, 1/4-15 x 7/8"
	301 35355		Fuel Cap
	314 650873		Screw, 1/4-20 x 3/4"
	316 611111		Alternator Coil (18 Watt) (Incl. 323B)
	341C 34155		Bracket, Fuel tank mounting
	369 35857		Valve, Fuel shut-off
	370J 34870		Decal, Instruction Can be used on HM80 with diecast starter.
	415 730130		Exh.Adaptor Kit (Incl.274,277)(As req uired)

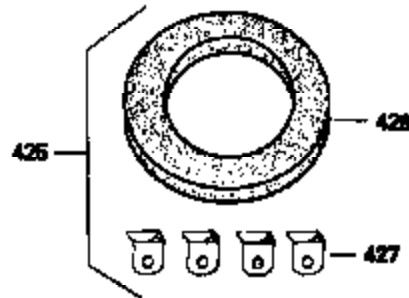
ILLUSTRATION SHOWS TYPICAL PARTS ONLY. ORDER BY PART NUMBER. PARTS NOT LISTED ARE SUPPLIED BY OEM.



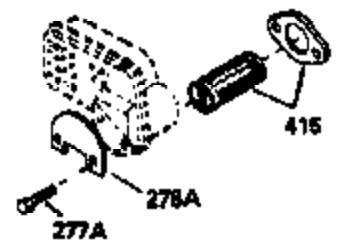
STD. POINT



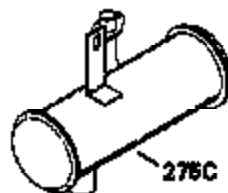
OPTIONAL DEBRIS SCREEN KIT



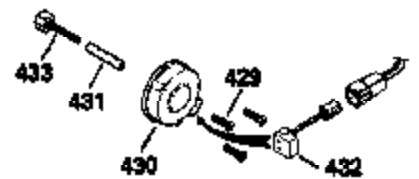
OPTIONAL STARTER MUFF KIT



OPTIONAL SPARK ARRESTOR KIT



OPTIONAL QUIET MUFFLER



OPTIONAL ADD-ON ALTERNATOR AC LIGHTING OR DC CHARGING

Ref #	Part Number	Qty	Description
103	650814		Screw, Torx T-15, 10-24 x 1"
275C	35824		Muffler (Optional quiet muffler)
277A	650696		Screw, 5/16-18 x 2-3/4" (Used with 27 6A)
301	35355		Fuel Cap
314	650873		Screw, 1/4-20 x 3/4"
323B	611118		Terminal
327	35392		Plug, Starter
342	650561		Screw, 1/4-20 x 5/8"
370J	34870		Decal, Instruction Can be used on HM80 with diecast starter.
370B	34387		Decal, Instruction Can be used on HM80 with stamped steel recoil starter.
390	590630		Rewind Starter (Refer to Division 5, Section C, page 30 for breakdown or Fiche 18A-2, Grid G-1)
408	35570		Seal, Screen (Can be used on HM80 with stamped steel recoil starter.)
409	35569		Spacer, Screen
410	730573		Debris Screen Kit (Incl. 327, 370B, 408, 409, 411 & 413)
411	35568		Screen, Debris
413	650907		Screw, 5/16-18 x 1-5/8" (Can be used on HM80 with stamped steel recoil starter)
415	730130		Exh.Adaptor Kit (Incl.274,277)(As required)
425	730572		Starter Muff Kit (Incl. 370J, 426 & 4 27)
426	34687		Air cleaner, Starter
427	34869		Starter Air Cleaner Bracket (Optional)
429	650868		Screw, 8-18 x 1-1/8" (3 Required)
430	611077		Alternator, Add on
431	590609		Centering tube (Use with engines equipped with diecast aluminum starter)
431	590610		Centering tube
432	611078		A.C. Lighting Connector
432	611079		D.C. Charging Connector
433	590611		Alternator Shaft (4.00") (Use with engines equipped with diecast aluminum starter)
433	590636		Alternator Shaft (Use with engines equipped with stamped steel starter) (Use as required) (Refer to Mechanic's Handbook for installation instructions).