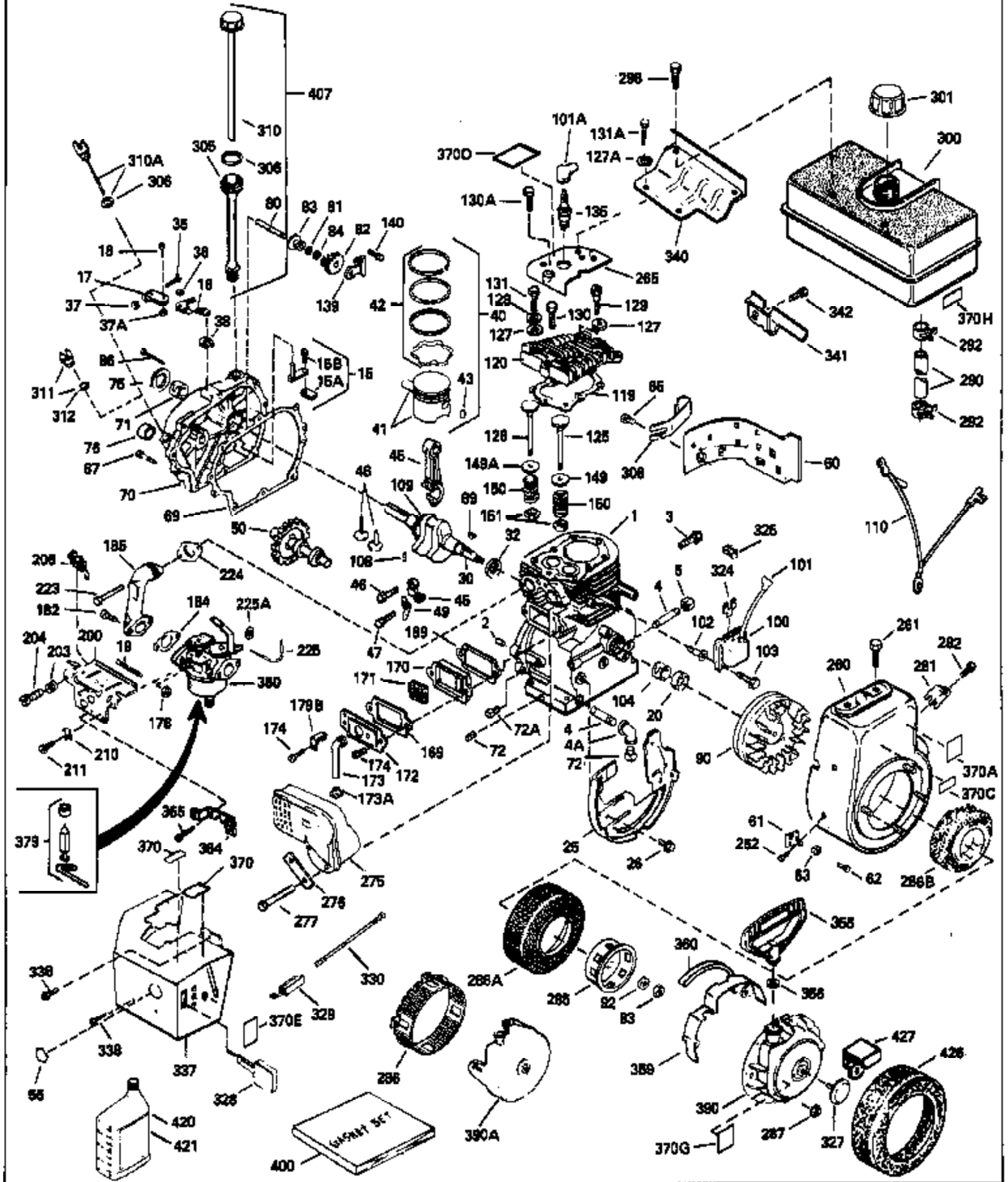


ILLUSTRATION SHOWS TYPICAL PARTS ONLY. ORDER BY PART NUMBER. PARTS NOT LISTED ARE SUPPLIED BY OEM.



Engine Parts List #1

| Ref # | Part Number | Qty | Description |
|-------|-------------|-----|--|
| 1 | 34348B | | Cylinder (Incl.2,20,72,72A) (3-1/8" B ore) |
| 2 | 27652 | | Pin, Dowel |
| 4 | 30968 | | Nipple, Pipe |
| 5 | 30969 | | Cap, Oil drain |
| 15A | 30700 | | Yoke, Governor |
| 15B | 650494 | | Screw, 6-40 x 5/16" |
| 15 | 30699C | | Rod Assy., Governor (Incl. 15A & 15B) |
| 16 | 33454 | | Governor Lever Assy. |
| 17 | 29916 | | Clamp, Governor lever |
| 18 | 650548 | | Screw, 8-32 x 5/16" |
| 19 | 34663 | | Spring, Speed control |
| 20 | 32630 | | Seal, Oil |
| 25 | 35256A | | Baffle, Blower housing |
| 26 | 650561 | | Screw, 1/4-20 x 5/8" |
| 30 | 33459A | | Crankshaft (Incl. 108 & 109) |
| 35 | 29826 | | Screw, 10-32 x 3/4" |
| 36 | 29918 | | Lockwasher, # 8 E.T. |
| 37 | 29216 | | Nut & Lockwasher, 10-32 "Keps" |
| 37A | 30322 | | Locknut, Hex "Keps", 8-32 |
| 38 | 29642 | | Ring, Retaining |
| 40 | 34552 | | Piston, Pin & Ring Set (Std.) (3-1/8") |
| 40 | 34553 | | Piston, Pin & Ring Set (.010" OS) |
| 40 | 34554 | | Piston, Pin & Ring Set (.020" OS) |
| 41 | 34329A | | Piston & Pin Ass'y.(Std)(Incl.43)(3-1 /8") |
| 41 | 34330A | | Piston & Pin Ass'y. (.010" OS)(Incl. 43) |
| 41 | 34331A | | Piston & Pin Ass'y. (.020" OS)(Incl. 43) |
| 42 | 34332 | | Ring Set (Std.) (3-1/8" Bore) |
| 42 | 34333 | | Ring Set (.010" OS) |
| 42 | 34334 | | Ring Set (.020" OS) |
| 43 | 27888 | | Ring, Piston pin retaining |
| 45 | 32591C | | Rod Assy., Connecting (Incl. 49) |
| 47 | 650662C | | Bolt, Connecting rod (2 pieces) |
| 48 | 34034 | | Lifter, Valve |
| 49 | 34242 | | Dipper, Oil |
| 50 | 34786 | | Camshaft (MCR) (Extended) |
| 60 | 33273A | | Extension, Blower housing |
| 61 | 34126 | | Bracket, Grommet mounting |
| 62 | 650760 | | Screw, 8-32 x 3/8" |
| 63 | 28545 | | Grommet, Plastic |
| 65 | 650128 | | Screw, 10-24 x 1/2" |
| 69 | 35262 | | * Gasket, Cylinder cover |
| 70 | 34787 | | Cover, Cylinder (Incl. 71, 75 & 80) |
| 71 | 33368 | | Bushing, Crankshaft |
| 72 | 27642 | | Plug, Oil drain |
| 75 | 31950 | | Seal, Oil |
| 76 | 28926 | | Seal, Oil |
| 80 | 31845 | | Shaft, Mechanical governor |
| 81 | 30590A | | Washer, Flat |
| 82 | 30591 | | Gear Assy., Governor (Incl. 81) |
| 83 | 30588A | | Spool, Governor |
| 84 | 29193 | | Ring, Retaining |
| 86 | 650833 | | Screw, 1/4-20 x 1-3/16" |
| 87 | 650832 | | Screw, 1/4-20 x 1-11/16" |
| 89 | 32589 | | Key, Flywheel |
| 92 | 650815 | | Washer, Belleville |
| 93 | 650863 | | Nut, Hex (1/2-20) (Add-on alternator) |
| 101 | 610118 | | Cover, Spark plug (Use as required) |
| 103 | 650489 | | Screw, 1/4-20 x 5/8" |

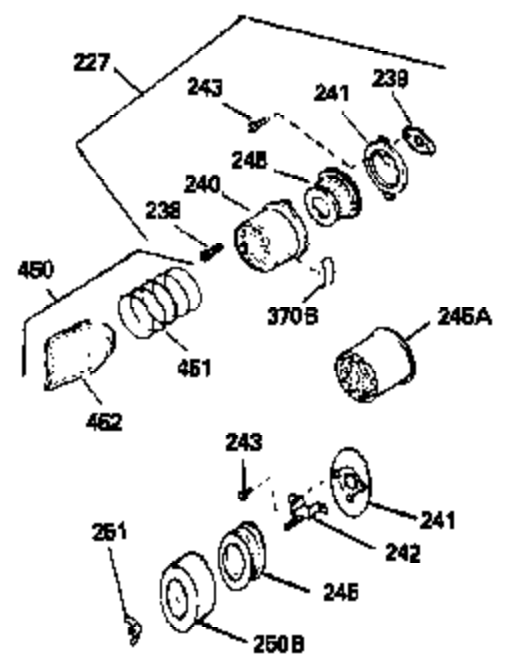
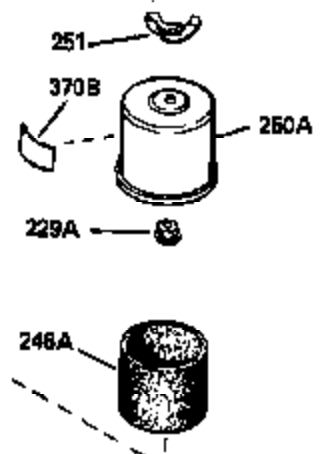
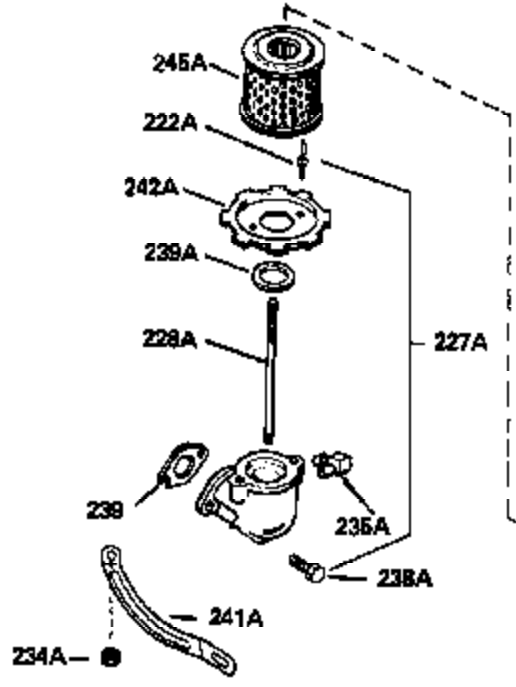
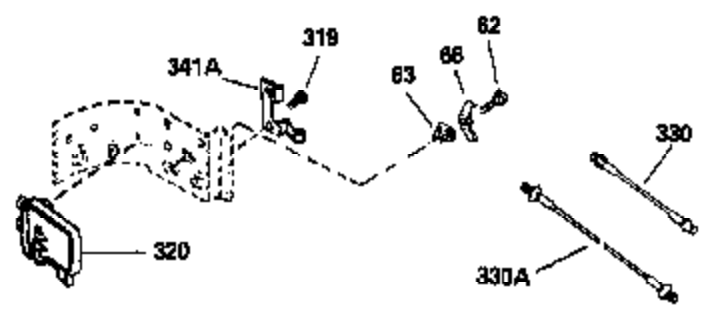
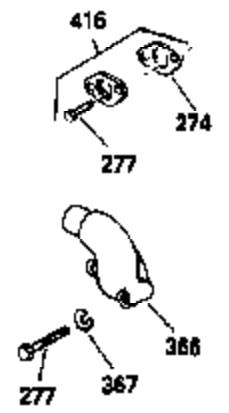
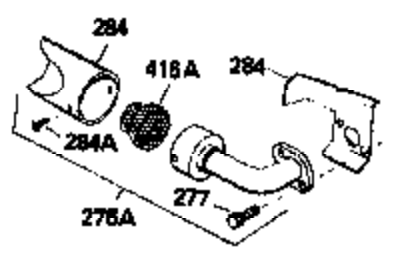
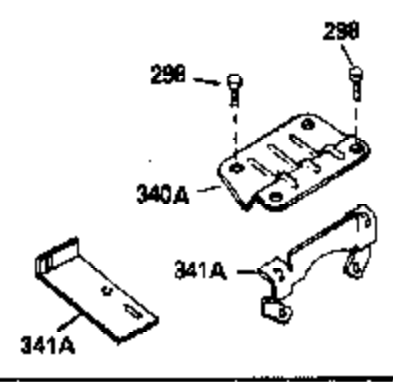
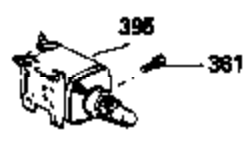
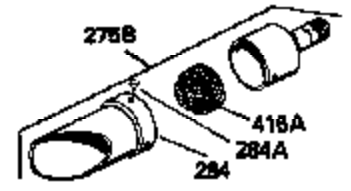
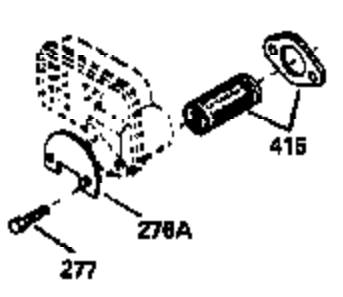
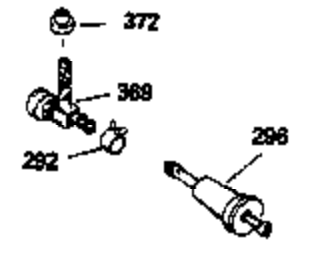
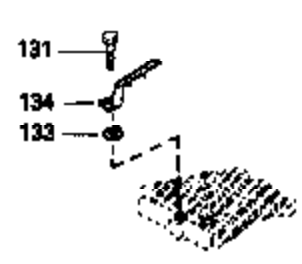
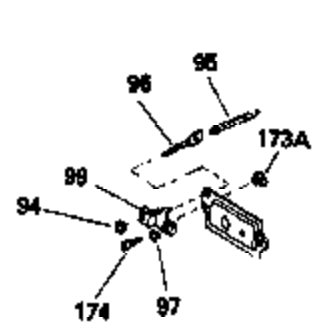
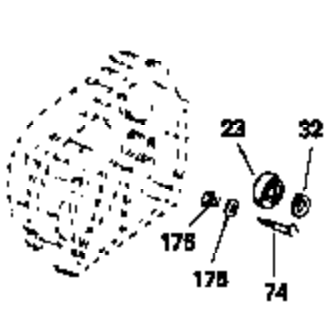
Engine Parts List #1

| Ref # | Part Number | Qty | Description |
|-------|-------------|-----|--|
| 108 | 29783 | | Pin, Crankshaft gear |
| 109 | 33245 | | Gear, Crankshaft |
| 110 | 34240 | | Ground Wire |
| 119 | 34041A | | * Gasket, Head |
| 120 | 34030A | | Head, Cylinder |
| 125 | 27878A | | Exhaust Valve (Std.) (Incl. 151) |
| 125 | 27880A | | Exhaust Valve (1/32" OS) (Incl. 151) |
| 126 | 34035 | | Intake Valve (Std.) (Incl. 151) |
| 126 | 34036 | | Intake Valve (1/32" OS) (Incl. 151) |
| 127A | 26073 | | Washer, Flat (Use as required) |
| 127A | 650570 | | Washer, Flat (Use as required) |
| 127 | 650691 | | Washer (Use as req., but not w/6021A screw) |
| 128 | 650690 | | Washer, Belleville |
| 129 | 650727 | | Screw, 5/16-18 x 1-3/4" (Use as required) |
| 130A | 6021A | | Screw, 5/16-18 x 1-1/2" (Use as required, but do not use with 650691 washer) |
| 130 | 650694A | | Screw, 5/16-18 x 2" (Use as required) |
| 131 | 650802 | | Screw, 1/4-20 x 5/8" (Use as required) |
| 131 | 650737 | | Screw, 1/4-20 x 1/2" (Use as required) |
| 131 | 650738 | | Screw, 1/4-20 x 5/8" (Use as required) |
| 131A | 650713 | | Screw, 5/16-18 x 5/8" (Use as required) |
| 131A | 792028 | | Screw, 5/16-18 x 7/8" (Use as required) |
| 135 | 33636 | | Resistor Spark Plug (RJ17LM) |
| 139 | 33369 | | Bracket, Governor gear |
| 140 | 650836 | | Screw, 10-24 x 1/2" |
| 149 | 27882 | | Cap, Upper valve spring |
| 149A | 35862 | | Seal Assy., Intake valve |
| 150 | 27881 | | Spring, Valve |
| 151 | 32581 | | Cap, Lower valve spring |
| 169 | 27896A | | * Gasket, Breather cover |
| 170 | 28423 | | Body, Breather |
| 171 | 28424 | | Element, Breather |
| 172 | 28425 | | Cover, Valve spring |
| 173 | 35350 | | Tube, Breather |
| 174 | 650128 | | Screw, 10-24 x 1/2" |
| 174 | 650597 | | Screw, 10-24 x 5/8" |
| 178 | 29752 | | Nut & Lockwasher, 1/4-28 |
| 179B | 30593 | | Clip, Primer line (Use as required) |
| 182 | 30088A | | Screw, 1/4-28 x 1" |
| 184 | 33263 | | * Gasket, Carburetor |
| 185 | 33877 | | Pipe, Intake |
| 203 | 31342 | | Spring, Compression |
| 204 | 650549 | | Screw, 5-40 x 7/16" |
| 206 | 610973 | | Terminal Assy. (Use as required) |
| 210 | 27793 | | Clip, Conduit |
| 211 | 28942 | | Screw, 10-32 x 3/8" |
| 223 | 650378 | | Screw, Torx T-30, 5/16-18 x 1-1/8 " |
| 224 | 27915A | | * Gasket, Intake pipe |
| 260 | 35447A | | Blower Housing (For electric starter) |
| 261 | 650788 | | Screw, 5/16-18 x 3/4" (Use as required) |
| 262 | 29747B | | Screw, 5/16-24 x 21/32" |
| 265 | 33272B | | Cover, Cylinder head |
| 275 | 35056 | | Muffler |
| 275C | 35824 | | Muffler (Optional quiet muffler) |
| 276 | 31588 | | Plate, Muffler locking |
| 277A | 650696 | | Screw, 5/16-18x2-3/4" (Used with 276A) |
| 277 | 651002 | | Screw, 5/16-18 x 4-3/16" |

| Ref # | Part Number | Qty | Description |
|-------|-------------|-----|--|
| 281 | 33013 | | Cover, Starter bubble |
| 282 | 650760 | | Screw, 8-32 x 3/8" |
| 286B | 33662 | | Hub & Screen Assy., Starter |
| 287 | 29752 | | Nut & Lockwasher, 1/4-28 |
| 290 | 29774 | | Fuel Line (Braided 8-1/4")(21 cm)(As req.) |
| 290 | 30705 | | Fuel Line (Braided 16")(41 cm)(Use as req.) |
| 290 | 30962 | | Fuel Line (Braided 32")(81 cm)(Use as req.) |
| 292 | 26460 | | Clamp, Fuel line (Use as required) |
| 298 | 650665 | | Screw, 1/4-15 x 7/8" |
| 300 | 34156A | | Fuel Tank (Incl. 292 & 301) NOTE: These tanks were built with different size fuel inlet openings. Tanks with the 1-3/16" I.D. opening use fuel cap 34210. Tanks with the 1-1/2" I.D. opening use fuel cap 35355. |
| 301 | 410144B | | Fuel Cap (White Plastic)(Std)(1-1/2" I.D.) |
| 301 | 33032 | | Fuel Cap (Red Plastic) (Spurt Resistant, Low Profile) (1-3/16" I.D.) |
| 301 | 34210 | | Fuel Cap (Red Plastic) (Spurt Resistant, High Profile) (1-3/16" I.D.) |
| 301 | 35355 | | Fuel Cap (Red plastic) (1-1/2" I.D.) |
| 305 | 33893A | | Tube, Oil fill |
| 306 | 33590 | | "O" Ring |
| 310 | 34011A | | Dipstick (Incl. 306) |
| 325 | 29443 | | Clip, Fuel line (Use as required) |
| 325 | 34246 | | Clip, Ground wire (Use as required) |
| 328 | 35593 | | Ignition Key |
| 329 | 610973 | | Terminal Assy. |
| 330 | 35305 | | Wire, Ground |
| 336 | 650765 | | Screw, 10-32 x 1/2" |
| 337 | 35057A | | Cover, Carburetor |
| 338 | 28942 | | Screw, 10-32 x 3/8" |
| 340 | 34154 | | Plate, Fuel tank mounting |
| 341 | 34155 | | Bracket, Fuel tank mounting |
| 342 | 650561 | | Screw, 1/4-20 x 5/8" |
| 355 | 590574 | | Handle, Mitten grip |
| 356 | 650168 | | Washer, Flat |
| 359 | 34141 | | Guard, Starter |
| 360 | 32576 | | Seal, Snow guard |
| 364 | 33377 | | Bracket, Carburetor cover mounting |
| 365 | 650767 | | Screw, 8-32 x 27/64" |
| 370 | 34346 | | Decal, Instruction |
| 370A | 34686 | | Decal, Name |
| 370C | 34144 | | Decal, Primer |
| 370D | 34414 | | Decal, Warning |
| 370J | 34870 | | Decal, Instruction Can be used on HM80 with diecast starter. |
| 370E | 35080 | | Decal, Instruction |
| 379 | 631021 | | Inlet Needle, Seat & Clip Assy. |
| 380 | 632334A | | Carburetor (Incl. 184) (Refer to Division 5, Section A, page 188 for breakdown or Fiche 18A-1, Grid F-5) |
| 390 | 590606 | | Rewind Starter (Refer to Division 5, Section C, page 30 for breakdown or Fiche 18A-1, Grid G-5) |
| 400 | 33279G | | Gasket Set (Incl. items marked*) |
| 408 | 35570 | | Screen Seal (Can be used on HM80 with stamped steel recoil starter) |

| Ref # | Part Number | Qty | Description |
|-------|-------------|-----|---|
| 409 | 35569 | | Spacer (Can be used on HM80 with stamped steel recoil starter) |
| 410 | 730573 | | Debris Screen Kit (Incl. 360, 370B, 387, 411 & 413) (Can be used on HM80 with stamped steel recoil starter) |
| 411 | 35568 | | Debris Screen (Can be used on HM80 with stamped steel recoil starter) |
| 413 | 650907 | | Screw, 5/16-18 x 1-5/8" (Can be used on HM80 with stamped steel recoil starter) |
| 420 | 730225 | | SAE 30, 4-Cycle Engine Oil (Quart) |
| 421 | 730226 | | SAE 5W30, 4-Cycle Engine Oil (Quart) |
| 425 | 730572 | | Starter Muff Kit (Incl. 370J, 426 & 4 27) (Can be used on HM80 with die cast starter) |
| 429 | 650868 | | Screw, 8-18 x 1-1/8" (3 Required) (Use as required) (Refer to Mechanics Handbook for installation instructions). |
| 430 | 611077 | | Alternator, Add on (Use as required) (Refer to Mechanics Handbook for installation instructions). |
| 431 | 590609 | | Centering tube (Use with engines equipped with die cast aluminum starter)(Use as required) (Refer to Mechanics Handbook for installation instructions) |
| 431 | 590610 | | Centering tube (Use as required) (Refer to Mechanics Handbook for installation instructions). |
| 432 | 611078 | | A.C. Lighting Connector (Use as required) (Refer to Mechanics Handbook for installation instructions). |
| 432 | 611079 | | D.C. Charging Connector (Use as required) (Refer to Mechanics Handbook for installation instructions). |
| 433 | 590611 | | Alternator Shaft (4.00") (Use with engines equipped with cast aluminum starter)(Use as required) (Refer to Mechanics Handbook for installation instructions). |
| 433 | 590636 | | Alternator Shaft (Use with engines equipped with stamped steel starter)(Use as required) (Refer to Mechanics Handbook for installation instructions). |

ILLUSTRATION SHOWS TYPICAL PARTS ONLY. ORDER BY PART NUMBER. PARTS NOT LISTED ARE SUPPLIED BY OEM.



| Ref # | Part Number | Qty | Description |
|-------|-------------|-----|--|
| 62 | 650760 | | Screw, 8-32 x 3/8" |
| 63 | 28545 | | Grommet, Plastic |
| 74 | 31855 | | Retainer, Bearing |
| 97 | | | Lockwasher, Heavy split, #10 (Buy locally) |
| 131 | 650802 | | Screw, 1/4-20 x 5/8" (Use as required) |
| 131 | 650737 | | Screw, 1/4-20 x 1/2" (Use as required) |
| 131 | 650738 | | Screw, 1/4-20 x 5/8" (Use as required) |
| 174 | 650128 | | Screw, 10-24 x 1/2" |
| 174 | 650597 | | Screw, 10-24 x 5/8" |
| 227 | 730127 | | Air Cleaner Ass'y. (Incl.238,239,240,241,243,245 & 370) (Use as required) |
| 227 | 730164 | | Air Cleaner Ass'y. (Incl. 238, 239, 240, 241, 243 & 245) (Use as required) |
| 228A | 650824 | | Stud, 1/4-20 x 7.33 (Use as required) |
| 228A | 650851 | | Stud, 1/4-20 x 8.1 (Use as required) (Used with drilled thru elbow) |
| 245A | 34700 | | Element, Air cleaner |
| 274 | 35865 | | Gasket, Exhaust (Use as required) |
| 275B | 391026 | | Muffler (Incl. 284, 284A & 416A) (This spark arresting muffler can be used on any model.) |
| 275C | 35824 | | Muffler (Optional quiet muffler) |
| 277 | 651002 | | Screw, 5/16-18 x 4-3/16" |
| 277A | 650696 | | Screw, 5/16-18x2-3/4" (Used with 276A) |
| 292 | 26460 | | Clamp, Fuel line (Use as required) |
| 298 | 650665 | | Screw, 1/4-15 x 7/8" |
| 330 | 35305 | | Wire, Ground |
| 369 | 35857 | | Valve, Fuel shut-off |
| 370B | 34387 | | Decal, Instruction Can be used on HM80 with stamped steel recoil starter. |
| 370J | 34870 | | Decal, Instruction Can be used on HM80 with diecast starter. |
| 395 | 33329D | | Starter Motor Kit (110-120 Volt) This 110-120 volt starter motor kit may have been added to this engine. It can be added only if cylinder has drilled and tapped starter mounting bosses and a ring gear flywheel. Refer to service number stamped on end cap of motor, or on decal for identification. Ref |
| 408 | 35570 | | Screen Seal (Can be used on HM80 with stamped steel recoil starter) |
| 409 | 35569 | | Spacer (Can be used on HM80 with stamped steel recoil starter) |
| 410 | 730573 | | Debris Screen Kit (Incl. 360, 370B, 387, 411 & 413) (Can be used on HM80 with stamped steel recoil starter) |
| 411 | 35568 | | Debris Screen (Can be used on HM80 with stamped steel recoil starter) |
| 413 | 650907 | | Screw, 5/16-18 x 1-5/8" (Can be used on HM80 with stamped steel recoil starter) |
| 415 | 730130 | | Exh.Adapter Kit (Incl.274,277)(Use as req.) |
| 425 | 730572 | | Starter Muff Kit (Incl. 370J, 426 & 4 27) (Can be used on HM80 with die cast starter) |
| 429 | 650868 | | Screw, 8-18 x 1-1/8" (3 Required) (Use as required) (Refer to Mechanics Handbook for installation instructions). |

| Ref # | Part Number | Qty | Description |
|-------|-------------|-----|---|
| 430 | 611077 | | Alternator, Add on (Use as required) (Refer to Mechanics Handbook for installation instructions). |
| 431 | 590609 | | Centering tube (Use with engines equipped with die cast aluminum starter)(Use as required) (Refer to Mechanics Handbook for installation instructions) |
| 431 | 590610 | | Centering tube (Use as required) (Refer to Mechanics Handbook for installation instructions). |
| 432 | 611078 | | A.C. Lighting Connector (Use as required) (Refer to Mechanics Handbook for installation instructions). |
| 432 | 611079 | | D.C. Charging Connector (Use as required) (Refer to Mechanics Handbook for installation instructions). |
| 433 | 590611 | | Alternator Shaft (4.00") (Use with engines equipped with cast aluminum starter)(Use as required) (Refer to Mechanics Handbook for installation instructions). |
| 433 | 590636 | | Alternator Shaft (Use with engines equipped with stamped steel starter)(Use as required) (Refer to Mechanics Handbook for installation instructions). |

ILLUSTRATION SHOWS TYPICAL PARTS ONLY. ORDER BY PART NUMBER. PARTS NOT LISTED ARE SUPPLIED BY OEM.



| Ref # | Part Number | Qty | Description |
|-------|-------------|-----|--|
| 62 | 650760 | | Screw, 8-32 x 3/8" |
| 103 | 650489 | | Screw, 1/4-20 x 5/8" |
| 156 | 610848 | | Magneto (w/ring gear for 110 volt sta rter) NOTE: The complete magneto is not available as an assembly. The magneto number is shown for reference purposes only. Order component parts individually, as shown in parts list. (Refer to Division 5, Section B, page 28 for breakdown or Fiche 18A-1, Grid G |
| 183 | 34587 | | Bracket, Choke |
| 186 | 34667 | | Link, Governor |
| 200A | 34664 | | Control Bracket (Incl.19,203,204,206, 209) |
| 203 | 31342 | | Spring, Compression |
| 204 | 650549 | | Screw, 5-40 x 7/16" |
| 206 | 610973 | | Terminal Assy. (Use as required) |
| 207 | 33878 | | Link, Governor-to-throttle |
| 209 | 650821 | | Screw, 10-32 x 1/2" |
| 210 | 27793 | | Clip, Conduit |
| 211 | 28942 | | Screw, 10-32 x 3/8" |
| 219 | 34586 | | Rod, Choke |
| 220 | 35438 | | Knob, Control |
| 222 | 28820 | | Screw, 10-32 x 1/2" |
| 260 | 35447A | | Blower Housing (For electric starter) |
| 275C | 35824 | | Muffler (Optional quiet muffler) |
| 277A | 650696 | | Screw, 5/16-18x2-3/4" (Used with 276A) |
| 286B | 33662 | | Hub & Screen Assy., Starter |
| 290 | 29774 | | Fuel Line (Braided 8-1/4")(21 cm)(As req.) |
| 290 | 30705 | | Fuel Line (Braided 16")(41 cm)(Use as req.) |
| 290 | 30962 | | Fuel Line (Braided 32")(81 cm)(Use as req.) |
| 301 | 410144B | | Fuel Cap (White Plastic)(Std)(1-1/2" I.D.) |
| 301 | 33032 | | Fuel Cap (Red Plastic) (Spurt Resistant, Low Profile) (1-3/16" I.D.) |
| 301 | 34210 | | Fuel Cap (Red Plastic) (Spurt Resistant, High Profile) (1-3/16" I.D) |
| 301 | 35355 | | Fuel Cap (Red plastic) (1-1/2" I.D.) |
| 313A | 33876 | | Gasket, Stator |
| 339 | 35038 | | Spacer, Tank |
| 341 | 34155 | | Bracket, Fuel tank mounting |
| 342 | 650561 | | Screw, 1/4-20 x 5/8" |
| 350 | 570682 | | Primer Assy. |
| 351 | 32180C | | Primer Line |
| 370B | 34387 | | Decal, Instruction Can be used on HM80 with stamped steel recoil starter. |
| 370J | 34870 | | Decal, Instruction Can be used on HM80 with diecast starter. |
| 377 | 30547A | | Contact Assy., Breaker |
| 378 | 30548B | | Condenser |
| 408 | 35570 | | Screen Seal (Can be used on HM80 with stamped steel recoil starter) |
| 409 | 35569 | | Spacer (Can be used on HM80 with stamped steel recoil starter) |
| 410 | 730573 | | Debris Screen Kit (Incl. 360, 370B, 387, 411 &413) (Can be used on HM80 with stamped steel recoil starter) |
| 411 | 35568 | | Debris Screen (Can be used on HM80 with stamped steel recoil starter) |

| Ref # | Part Number | Qty | Description |
|-------|-------------|-----|---|
| 413 | 650907 | | Screw, 5/16-18 x 1-5/8" (Can be used on HM80 with stamped steel recoil starter) |
| 425 | 730572 | | Starter Muff Kit (Incl. 370J, 426 & 4 27) (Can be used on HM80 with die cast starter) |
| 429 | 650868 | | Screw, 8-18 x 1-1/8" (3 Required) (Use as required) (Refer to Mechanics Handbook for installation instructions). |
| 430 | 611077 | | Alternator, Add on (Use as required) (Refer to Mechanics Handbook for installation instructions). |
| 431 | 590609 | | Centering tube (Use with engines equipped with die cast aluminum starter)(Use as required) (Refer to Mechanics Handbook for installation instructions) |
| 431 | 590610 | | Centering tube (Use as required) (Refer to Mechanics Handbook for installation instructions). |
| 432 | 611078 | | A.C. Lighting Connector (Use as required) (Refer to Mechanics Handbook for installation instructions). |
| 432 | 611079 | | D.C. Charging Connector (Use as required) (Refer to Mechanics Handbook for installation instructions). |
| 433 | 590611 | | Alternator Shaft (4.00") (Use with engines equipped with cast aluminum starter)(Use as required) (Refer to Mechanics Handbook for installation instructions). |
| 433 | 590636 | | Alternator Shaft (Use with engines equipped with stamped steel starter)(Use as required) (Refer to Mechanics Handbook for installation instructions). |