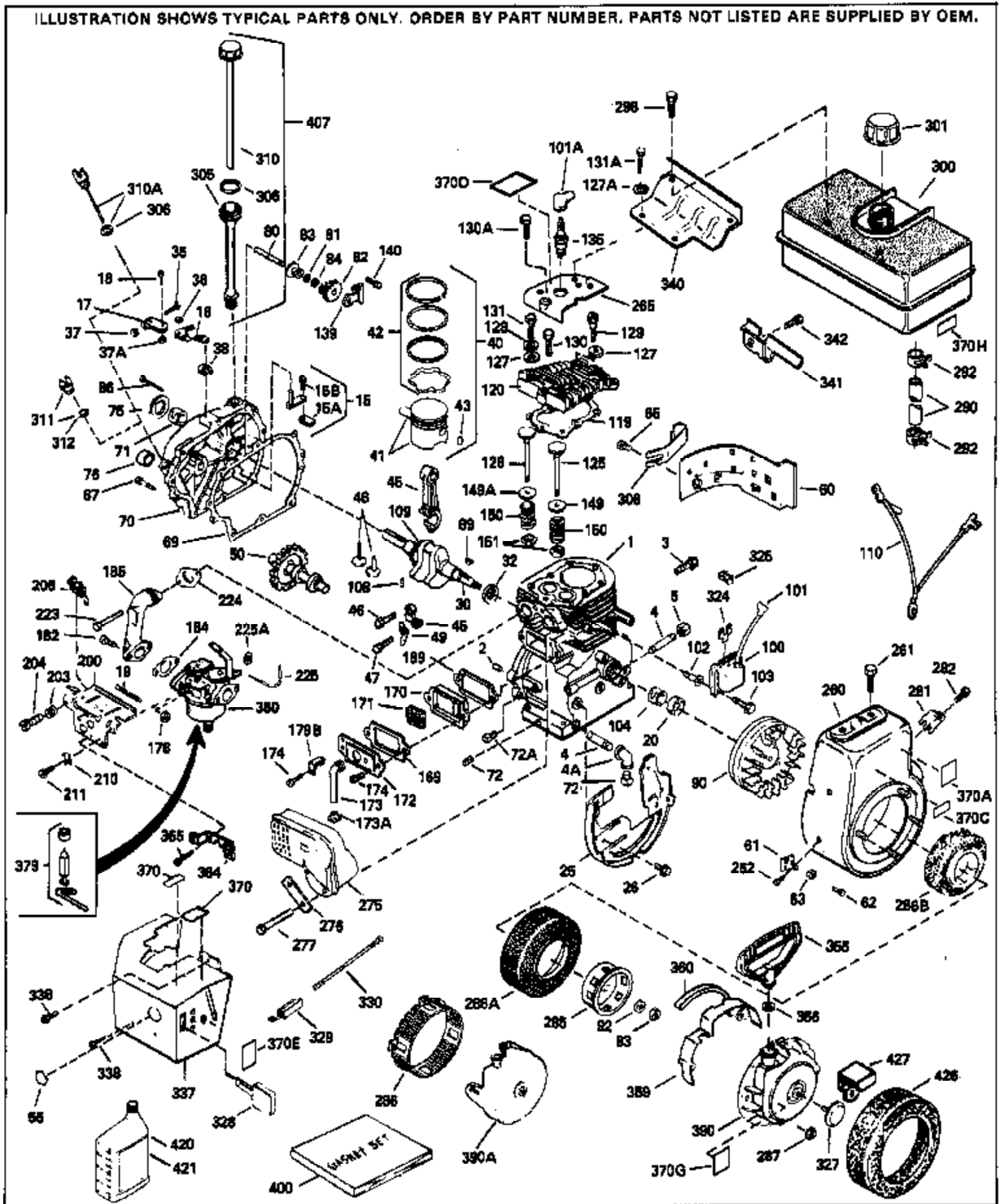


ILLUSTRATION SHOWS TYPICAL PARTS ONLY. ORDER BY PART NUMBER. PARTS NOT LISTED ARE SUPPLIED BY OEM.



## Engine Parts List #1

| Ref # | Part Number | Qty | Description                                  |
|-------|-------------|-----|--|
| 1     | 34348B      |     | Cylinder (Incl.2,20,72,72A) (3-1/8" B ore)   |
| 2     | 27652       |     | Pin, Dowel                                   |
| 15A   | 30700       |     | Yoke, Governor                               |
| 15B   | 650494      |     | Screw, 6-40 x 5/16"                          |
| 15    | 30699C      |     | Rod Assy., Governor (Incl. 15A & 15B)        |
| 16    | 33454       |     | Governor Lever Assy.                         |
| 17    | 29916       |     | Clamp, Governor lever                        |
| 18    | 650548      |     | Screw, 8-32 x 5/16"                          |
| 20    | 32630       |     | Seal, Oil                                    |
| 25    | 35256A      |     | Baffle, Blower housing                       |
| 26    | 650561      |     | Screw, 1/4-20 x 5/8"                         |
| 30    | 35207       |     | Crankshaft (Incl. 108 & 109)                 |
| 35    | 29826       |     | Screw, 10-32 x 3/4"                          |
| 36    | 29918       |     | Lockwasher, # 8 E.T.                         |
| 37    | 29216       |     | Nut & Lockwasher, 10-32 "Keps"               |
| 37A   | 30322       |     | Locknut, Hex "Keps", 8-32                    |
| 38    | 29642       |     | Ring, Retaining                              |
| 40    | 34552       |     | Piston, Pin & Ring Set (Std.) (3-1/8" )      |
| 40    | 34553       |     | Piston, Pin & Ring Set (.010" OS)            |
| 40    | 34554       |     | Piston, Pin & Ring Set (.020" OS)            |
| 41    | 34329A      |     | Piston & Pin Ass'y.(Std)(Incl.43)(3-1 /8")   |
| 41    | 34330A      |     | Piston & Pin Ass'y. (.010" OS)(Incl. 43)     |
| 41    | 34331A      |     | Piston & Pin Ass'y. (.020" OS)(Incl. 43)     |
| 42    | 34332       |     | Ring Set (Std.) (3-1/8" Bore)                |
| 42    | 34333       |     | Ring Set (.010" OS)                          |
| 42    | 34334       |     | Ring Set (.020" OS)                          |
| 43    | 27888       |     | Ring, Piston pin retaining                   |
| 45    | 32591C      |     | Rod Assy., Connecting (Incl. 49)             |
| 47    | 650662C     |     | Bolt, Connecting rod (2 pieces)              |
| 48    | 34034       |     | Lifter, Valve                                |
| 49    | 34242       |     | Dipper, Oil                                  |
| 50    | 34143       |     | Camshaft (MCR)                               |
| 60    | 33273A      |     | Extension, Blower housing                    |
| 65    | 650128      |     | Screw, 10-24 x 1/2"                          |
| 69    | 35262       |     | * Gasket, Cylinder cover                     |
| 70    | 33367B      |     | Cylinder Cover (Incl. 71, 75, 80, 311 & 312) |
| 71    | 33368       |     | Bushing, Crankshaft                          |
| 72    | 27642       |     | Plug, Oil drain                              |
| 75    | 31950       |     | Seal, Oil                                    |
| 80    | 31845       |     | Shaft, Mechanical governor                   |
| 81    | 30590A      |     | Washer, Flat                                 |
| 82    | 30591       |     | Gear Assy., Governor (Incl. 81)              |
| 83    | 30588A      |     | Spool, Governor                              |
| 84    | 29193       |     | Ring, Retaining                              |
| 86    | 650833      |     | Screw, 1/4-20 x 1-3/16"                      |
| 87    | 650832      |     | Screw, 1/4-20 x 1-11/16"                     |
| 89    | 32589       |     | Key, Flywheel                                |
| 90    | 611090      |     | Flywheel                                     |
| 92    | 650815      |     | Washer, Belleville                           |
| 93    | 8116        |     | Nut, Hex (1/2-20)                            |
| 100   | 35135       |     | Lamination Assy., Solid State                |
| 101A  | 27276       |     | Cover, Spark plug                            |
| 101   | 610118      |     | Cover, Spark plug (Use as required)          |
| 102   | 650872      |     | Stud, Lamination mounting                    |
| 103   | 650814      |     | Screw, Torx T-15, 10-24 x 1"                 |
| 108   | 29783       |     | Pin, Crankshaft gear                         |
| 109   | 33245       |     | Gear, Crankshaft                             |
| 119   | 34041A      |     | * Gasket, Head                               |

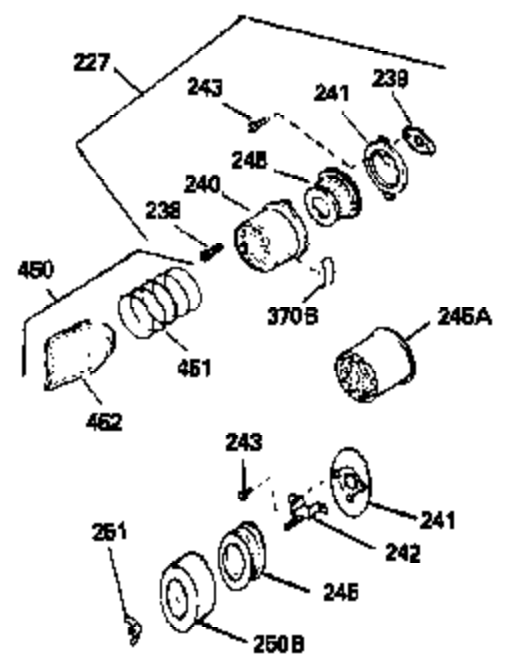
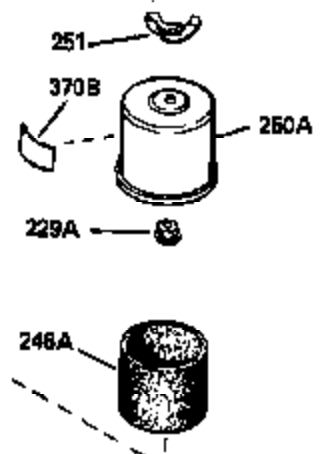
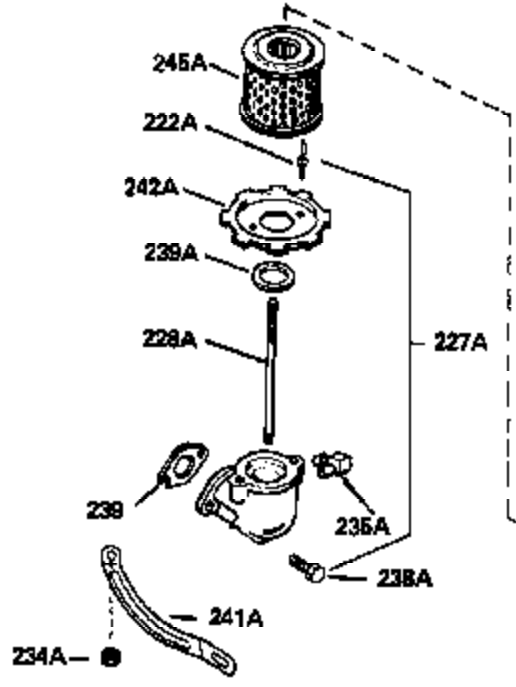
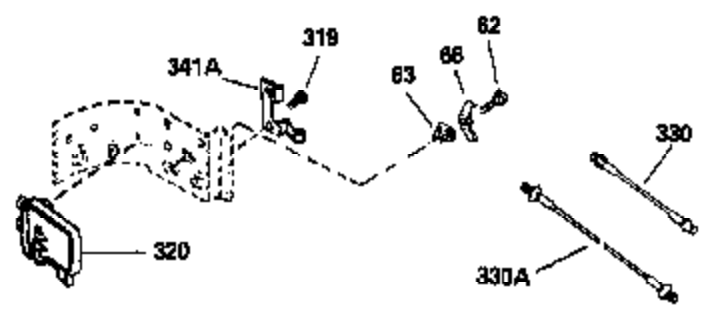
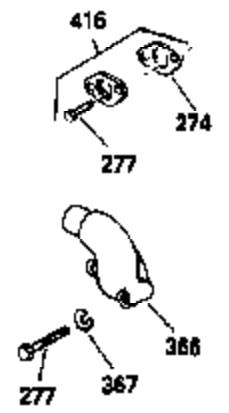
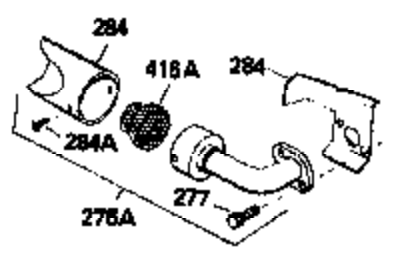
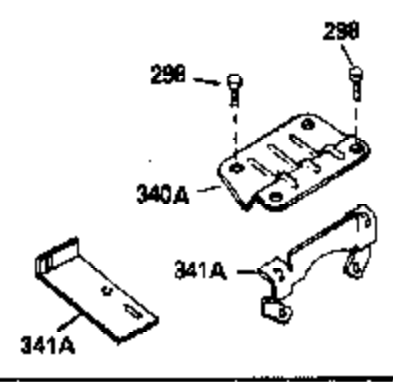
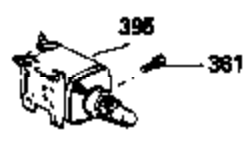
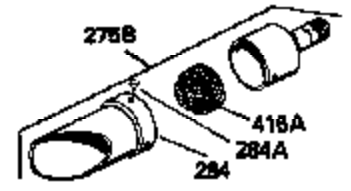
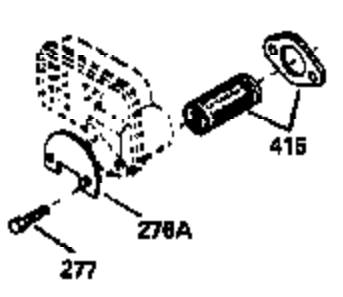
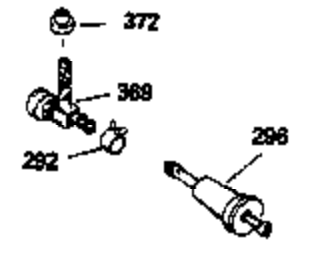
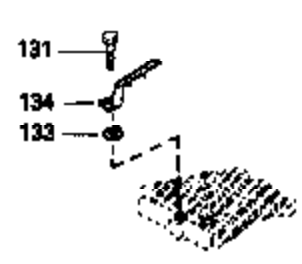
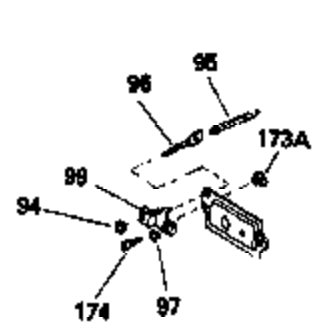
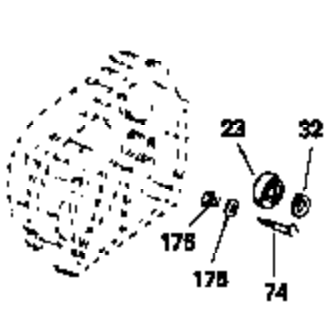
## Engine Parts List #1

| Ref # | Part Number | Qty | Description  |
|-------|-------------|-----|--|
| 120   | 34030A      |     | Head, Cylinder   |
| 125   | 27878A      |     | Exhaust Valve (Std.) (Incl. 151)   |
| 125   | 27880A      |     | Exhaust Valve (1/32" OS) (Incl. 151)   |
| 126   | 34035       |     | Intake Valve (Std.) (Incl. 151)  |
| 126   | 34036       |     | Intake Valve (1/32" OS) (Incl. 151)  |
| 127A  | 26073       |     | Washer, Flat (Use as required)   |
| 127A  | 650570      |     | Washer, Flat (Use as required)   |
| 127   | 650691      |     | Washer (Use as req., but not w/6021A screw)                                  |
| 128   | 650690      |     | Washer, Belleville   |
| 129   | 650727      |     | Screw, 5/16-18 x 1-3/4" (Use as required)                                    |
| 130   | 650694A     |     | Screw, 5/16-18 x 2" (Use as required)  |
| 130A  | 6021A       |     | Screw, 5/16-18 x 1-1/2" (Use as required, but do not use with 650691 washer) |
| 131A  | 650713      |     | Screw, 5/16-18 x 5/8" (Use as required)                                      |
| 131A  | 792028      |     | Screw, 5/16-18 x 7/8" (Use as required)                                      |
| 131   | 650802      |     | Screw, 1/4-20 x 5/8" (Use as required)                                       |
| 131   | 650737      |     | Screw, 1/4-20 x 1/2" (Use as required)                                       |
| 131   | 650738      |     | Screw, 1/4-20 x 5/8" (Use as required)                                       |
| 135   | 33636       |     | Resistor Spark Plug (RJ17LM)   |
| 139   | 33369       |     | Bracket, Governor gear   |
| 140   | 650836      |     | Screw, 10-24 x 1/2"  |
| 149A  | 35862       |     | Seal Assy., Intake valve   |
| 149   | 27882       |     | Cap, Upper valve spring  |
| 150   | 27881       |     | Spring, Valve  |
| 151   | 32581       |     | Cap, Lower valve spring  |
| 169   | 27896A      |     | * Gasket, Breather cover   |
| 170   | 28423       |     | Body, Breather   |
| 171   | 28424       |     | Element, Breather  |
| 172   | 28425       |     | Cover, Valve spring  |
| 173   | 35350       |     | Tube, Breather   |
| 174   | 650128      |     | Screw, 10-24 x 1/2"  |
| 174   | 650597      |     | Screw, 10-24 x 5/8"  |
| 178   | 29752       |     | Nut & Lockwasher, 1/4-28   |
| 179B  | 30593       |     | Clip, Primer line (Use as required)  |
| 182   | 30088A      |     | Screw, 1/4-28 x 1"   |
| 184   | 33263       |     | * Gasket, Carburetor   |
| 185   | 34707       |     | Pipe, Intake   |
| 206   | 610973      |     | Terminal Assy. (Use as required)   |
| 223   | 650378      |     | Screw, Torx T-30, 5/16-18 x 1-1/8"   |
| 224   | 27915A      |     | * Gasket, Intake pipe  |
| 260   | 33375D      |     | Blower Housing (For electric starter)  |
| 261   | 650788      |     | Screw, 5/16-18 x 3/4" (Use as required)                                      |
| 262   | 29747B      |     | Screw, 5/16-24 x 21/32"  |
| 265   | 33272B      |     | Cover, Cylinder head   |
| 275C  | 35824       |     | Muffler (Optional quiet muffler)   |
| 277A  | 650696      |     | Screw, 5/16-18x2-3/4" (Used with 276A)                                       |
| 281   | 33013       |     | Cover, Starter bubble  |
| 282   | 650760      |     | Screw, 8-32 x 3/8"   |
| 285   | 32125       |     | Cup, Starter   |
| 286A  | 35194       |     | Screen, Starter  |
| 287   | 29752       |     | Nut & Lockwasher, 1/4-28   |
| 290   | 29774       |     | Fuel Line (Braided 8-1/4")(21 cm)(As req.)                                   |
| 290   | 30705       |     | Fuel Line (Braided 16")(41 cm)(Use as req.)                                  |
| 290   | 30962       |     | Fuel Line (Braided 32")(81 cm)(Use as req.)                                  |
| 292   | 26460       |     | Clamp, Fuel line (Use as required)   |
| 298   | 650665      |     | Screw, 1/4-15 x 7/8"   |

| Ref # | Part Number | Qty | Description  |
|-------|-------------|-----|--|
| 300   | 34156A      |     | Fuel Tank (Incl. 292 & 301) NOTE: These tanks were built with different size fuel inlet openings. Tanks with the 1-3/16" I.D. opening use fuel cap 34210. Tanks with the 1-1/2" I.D. opening use fuel cap 35355. |
| 301   | 410144B     |     | Fuel Cap (White Plastic)(Std)(1-1/2" I.D.)   |
| 301   | 33032       |     | Fuel Cap (Red Plastic) (Spurt Resistant, Low Profile) (1-3/16" I.D.)   |
| 301   | 34210       |     | Fuel Cap (Red Plastic) (Spurt Resistant, High Profile) (1-3/16" I.D.)  |
| 301   | 35355       |     | Fuel Cap (Red plastic) (1-1/2" I.D.)   |
| 306   | 29673       |     | * Gasket, Oil fill   |
| 310A  | 35941       |     | Dipstick (Incl. 306)   |
| 325   | 29443       |     | Clip, Fuel line (Use as required)  |
| 325   | 34246       |     | Clip, Ground wire (Use as required)  |
| 340   | 34154       |     | Plate, Fuel tank mounting  |
| 341   | 34155       |     | Bracket, Fuel tank mounting  |
| 342   | 650561      |     | Screw, 1/4-20 x 5/8"   |
| 370   | 34346       |     | Decal, Instruction   |
| 370J  | 34870       |     | Decal, Instruction Can be used on HM80 with diecast starter.   |
| 370A  | 34686       |     | Decal, Name  |
| 379   | 631021      |     | Inlet Needle, Seat & Clip Assy.  |
| 380   | 632351      |     | Carburetor (Incl. 184) (Refer to Division 5, Section A, page 188 for breakdown or Fiche 18A-1, Grid F-5)   |
| 390   | 590479      |     | Rewind Starter (Refer to Division 5, Section C, page 30 for breakdown or Fiche 18A-1, Grid G-5)  |
| 400   | 33279G      |     | Gasket Set (Incl. items marked*)   |
| 408   | 35570       |     | Screen Seal (Can be used on HM80 with stamped steel recoil starter)  |
| 409   | 35569       |     | Spacer (Can be used on HM80 with stamped steel recoil starter)   |
| 410   | 730573      |     | Debris Screen Kit (Incl. 360, 370B, 387, 411 & 413) (Can be used on HM80 with stamped steel recoil starter)  |
| 411   | 35568       |     | Debris Screen (Can be used on HM80 with stamped steel recoil starter)  |
| 413   | 650907      |     | Screw, 5/16-18 x 1-5/8" (Can be used on HM80 with stamped steel recoil starter)  |
| 420   | 730225      |     | SAE 30, 4-Cycle Engine Oil (Quart)   |
| 421   | 730226      |     | SAE 5W30, 4-Cycle Engine Oil (Quart)   |
| 425   | 730572      |     | Starter Muff Kit (Incl. 370J, 426 & 4 27) (Can be used on HM80 with die cast starter)  |
| 429   | 650868      |     | Screw, 8-18 x 1-1/8" (3 Required) (Use as required) (Refer to Mechanics Handbook for installation instructions).   |
| 430   | 611077      |     | Alternator, Add on (Use as required) (Refer to Mechanics Handbook for installation instructions).  |
| 431   | 590609      |     | Centering tube (Use with engines equipped with die cast aluminum starter)(Use as required) (Refer to Mechanics Handbook for installation instructions)   |
| 431   | 590610      |     | Centering tube (Use as required) (Refer to Mechanics Handbook for installation instructions).  |

| Ref # | Part Number | Qty | Description   |
|-------|-------------|-----|---|
| 432   | 611078      |     | A.C. Lighting Connector (Use as required) (Refer to Mechanics Handbook for installation instructions).  |
| 432   | 611079      |     | D.C. Charging Connector (Use as required) (Refer to Mechanics Handbook for installation instructions).  |
| 433   | 590611      |     | Alternator Shaft (4.00") (Use with engines equipped with cast aluminum starter)(Use as required) (Refer to Mechanics Handbook for installation instructions). |
| 433   | 590636      |     | Alternator Shaft (Use with engines equipped with stamped steel starter)(Use as required) (Refer to Mechanics Handbook for installation instructions).         |

ILLUSTRATION SHOWS TYPICAL PARTS ONLY. ORDER BY PART NUMBER. PARTS NOT LISTED ARE SUPPLIED BY OEM.

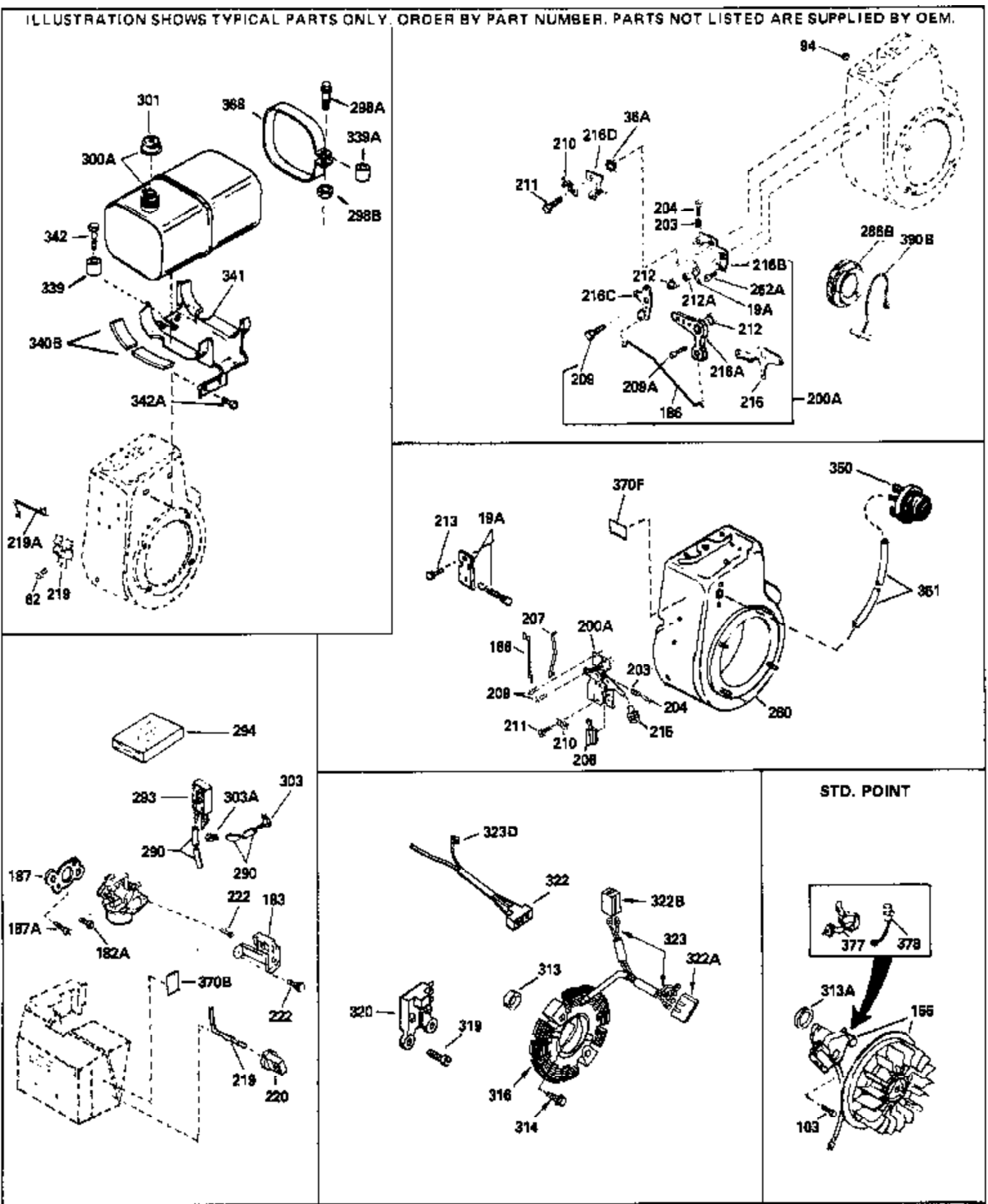


| Ref # | Part Number | Qty | Description  |
|-------|-------------|-----|--|
| 74    | 31855       |     | Retainer, Bearing  |
| 94    | 33450       |     | Nut Lock, 10-32  |
| 95    | 30886A      |     | Spring, Extension  |
| 96    | 30845A      |     | Bolt, Governor spring adjusting  |
| 97    |             |     | Lockwasher, Heavy split, #10 (Buy locally)   |
| 131   | 650802      |     | Screw, 1/4-20 x 5/8" (Use as required )  |
| 131   | 650737      |     | Screw, 1/4-20 x 1/2" (Use as required )  |
| 131   | 650738      |     | Screw, 1/4-20 x 5/8" (Use as required )  |
| 133   | 650890      |     | Washer, Lock, 5/16"  |
| 134   | 30747       |     | Clip, Spark plug shorting  |
| 174   | 650128      |     | Screw, 10-24 x 1/2"  |
| 174   | 650597      |     | Screw, 10-24 x 5/8"  |
| 227   | 730127      |     | Air Cleaner Ass'y. (Incl.238,239,240,241,243,245 & 370)<br>(Use as required)   |
| 227   | 730164      |     | Air Cleaner Ass'y. (Incl. 238, 239, 240, 241, 243 & 245) (Use<br>as required)  |
| 228A  | 650824      |     | Stud, 1/4-20 x 7.33 (Use as required)  |
| 228A  | 650851      |     | Stud, 1/4-20 x 8.1 (Use as required) (Used with drilled thru<br>elbow)   |
| 239   | 27272A      |     | * Gasket, Air cleaner  |
| 239   | 27272A      |     | * Gasket, Air cleaner  |
| 241   | 33266       |     | Bracket, Air cleaner   |
| 242   | 33267       |     | Bracket, Air cleaner   |
| 243   | 28820       |     | Screw, 10-32 x 1/2"  |
| 245   | 33268       |     | Element, Air cleaner   |
| 245A  | 34700       |     | Element, Air cleaner   |
| 250B  | 33269A      |     | Cover, Air cleaner   |
| 251   | 650513      |     | Nut, Wing, 1/2-20  |
| 274   | 35865       |     | Gasket, Exhaust (Use as required)  |
| 275C  | 35824       |     | Muffler (Optional quiet muffler)   |
| 275B  | 391026      |     | Muffler (Incl. 284, 284A & 416A) (This spark arresting muffler<br>can be used on any model.)   |
| 277A  | 650696      |     | Screw, 5/16-18x2-3/4" (Used with 276A )  |
| 292   | 26460       |     | Clamp, Fuel line (Use as required)   |
| 298   | 650665      |     | Screw, 1/4-15 x 7/8"   |
| 370J  | 34870       |     | Decal, Instruction Can be used on HM80 with diecast starter.   |
| 370B  | 34387       |     | Decal, Instruction Can be used on HM80 with stamped steel<br>recoil starter.   |
| 395   | 33329D      |     | Starter Motor Kit (110-120 Volt) This 110-120 volt starter<br>motor kit may have been added to this engine. It can be<br>added only if cylinder has drilled and tapped starter mounting<br>bosses and a ring gear flywheel. Refer to service number<br>stamped on end cap of motor, or on decal for identification.<br>Ref |
| 408   | 35570       |     | Screen Seal (Can be used on HM80 with stamped steel<br>recoil starter)   |
| 409   | 35569       |     | Spacer (Can be used on HM80 with stamped steel recoil<br>starter)  |
| 410   | 730573      |     | Debris Screen Kit (Incl. 360, 370B, 387, 411 & 413) (Can be<br>used on HM80 with stamped steel recoil starter)   |
| 411   | 35568       |     | Debris Screen (Can be used on HM80 with stamped steel<br>recoil starter)   |

| Ref # | Part Number | Qty | Description   |
|-------|-------------|-----|---|
| 413   | 650907      |     | Screw, 5/16-18 x 1-5/8" (Can be used on HM80 with stamped steel recoil starter)   |
| 415   | 730130      |     | Exh.Adapter Kit (Incl.274,277)(Use as req.)   |
| 425   | 730572      |     | Starter Muff Kit (Incl. 370J, 426 & 4 27) (Can be used on HM80 with die cast starter)   |
| 429   | 650868      |     | Screw, 8-18 x 1-1/8" (3 Required) (Use as required) (Refer to Mechanics Handbook for installation instructions).  |
| 430   | 611077      |     | Alternator, Add on (Use as required) (Refer to Mechanics Handbook for installation instructions).   |
| 431   | 590609      |     | Centering tube (Use with engines equipped with die cast aluminum starter)(Use as required) (Refer to Mechanics Handbook for installation instructions)        |
| 431   | 590610      |     | Centering tube (Use as required) (Refer to Mechanics Handbook for installation instructions).   |
| 432   | 611078      |     | A.C. Lighting Connector (Use as required) (Refer to Mechanics Handbook for installation instructions).  |
| 432   | 611079      |     | D.C. Charging Connector (Use as required) (Refer to Mechanics Handbook for installation instructions).  |
| 433   | 590611      |     | Alternator Shaft (4.00") (Use with engines equipped with cast aluminum starter)(Use as required) (Refer to Mechanics Handbook for installation instructions). |
| 433   | 590636      |     | Alternator Shaft (Use with engines equipped with stamped steel starter)(Use as required) (Refer to Mechanics Handbook for installation instructions).         |



ILLUSTRATION SHOWS TYPICAL PARTS ONLY. ORDER BY PART NUMBER. PARTS NOT LISTED ARE SUPPLIED BY OEM.



| Ref # | Part Number | Qty | Description   |
|-------|-------------|-----|---|
| 94    | 33450       |     | Nut Lock, 10-32   |
| 103   | 650814      |     | Screw, Torx T-15, 10-24 x 1"  |
| 206   | 610973      |     | Terminal Assy. (Use as required)  |
| 207   | 33878       |     | Link, Governor-to-throttle  |
| 260   | 33375D      |     | Blower Housing (For electric starter)   |
| 275C  | 35824       |     | Muffler (Optional quiet muffler)  |
| 277A  | 650696      |     | Screw, 5/16-18x2-3/4" (Used with 276A )   |
| 290   | 29774       |     | Fuel Line (Braided 8-1/4")(21 cm)(As req.)  |
| 290   | 30705       |     | Fuel Line (Braided 16")(41 cm)(Use as req.)   |
| 290   | 30962       |     | Fuel Line (Braided 32")(81 cm)(Use as req.)   |
| 301   | 410144B     |     | Fuel Cap (White Plastic)(Std)(1-1/2" I.D.)  |
| 301   | 33032       |     | Fuel Cap (Red Plastic) (Spurt Resistant, Low Profile) (1-3/16" I.D.)  |
| 301   | 34210       |     | Fuel Cap (Red Plastic) (Spurt Resistant, High Profile) (1-3/16" I.D.)   |
| 301   | 35355       |     | Fuel Cap (Red plastic) (1-1/2" I.D.)  |
| 339   | 35038       |     | Spacer, Tank  |
| 341   | 34155       |     | Bracket, Fuel tank mounting   |
| 342   | 650561      |     | Screw, 1/4-20 x 5/8"  |
| 370J  | 34870       |     | Decal, Instruction Can be used on HM80 with diecast starter.  |
| 370B  | 34387       |     | Decal, Instruction Can be used on HM80 with stamped steel recoil starter.   |
| 408   | 35570       |     | Screen Seal (Can be used on HM80 with stamped steel recoil starter)   |
| 409   | 35569       |     | Spacer (Can be used on HM80 with stamped steel recoil starter)  |
| 410   | 730573      |     | Debris Screen Kit (Incl. 360, 370B, 387, 411 & 413) (Can be used on HM80 with stamped steel recoil starter)   |
| 411   | 35568       |     | Debris Screen (Can be used on HM80 with stamped steel recoil starter)   |
| 413   | 650907      |     | Screw, 5/16-18 x 1-5/8" (Can be used on HM80 with stamped steel recoil starter)   |
| 425   | 730572      |     | Starter Muff Kit (Incl. 370J, 426 & 4 27) (Can be used on HM80 with die cast starter)   |
| 429   | 650868      |     | Screw, 8-18 x 1-1/8" (3 Required) (Use as required) (Refer to Mechanics Handbook for installation instructions).  |
| 430   | 611077      |     | Alternator, Add on (Use as required) (Refer to Mechanics Handbook for installation instructions).   |
| 431   | 590609      |     | Centering tube (Use with engines equipped with die cast aluminum starter)(Use as required) (Refer to Mechanics Handbook for installation instructions)        |
| 431   | 590610      |     | Centering tube (Use as required) (Refer to Mechanics Handbook for installation instructions).   |
| 432   | 611078      |     | A.C. Lighting Connector (Use as required) (Refer to Mechanics Handbook for installation instructions).  |
| 432   | 611079      |     | D.C. Charging Connector (Use as required) (Refer to Mechanics Handbook for installation instructions).  |
| 433   | 590611      |     | Alternator Shaft (4.00") (Use with engines equipped with cast aluminum starter)(Use as required) (Refer to Mechanics Handbook for installation instructions). |

| Ref # | Part Number | Qty | Description   |
|-------|-------------|-----|---|
| 433   | 590636      |     | Alternator Shaft (Use with engines equipped with stamped steel starter)(Use as required) (Refer to Mechanics Handbook for installation instructions). |