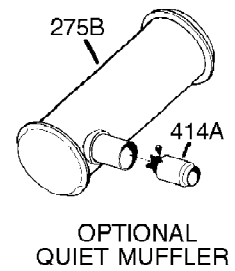
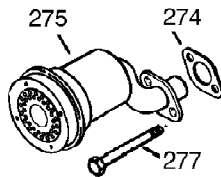
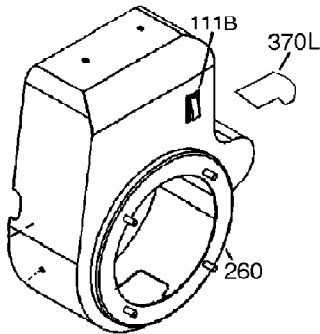
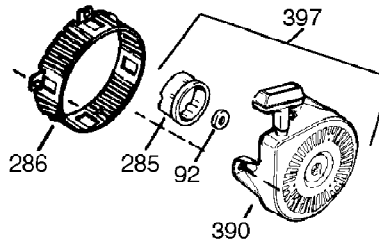
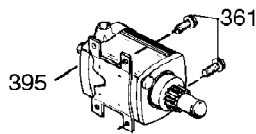
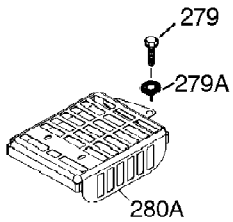
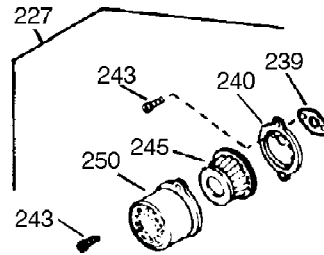
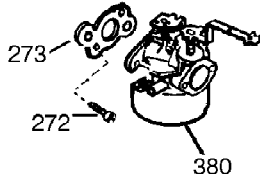
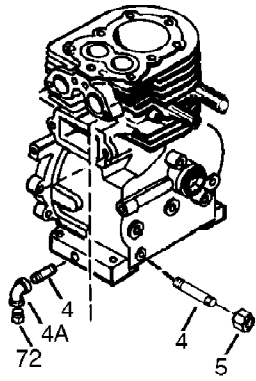
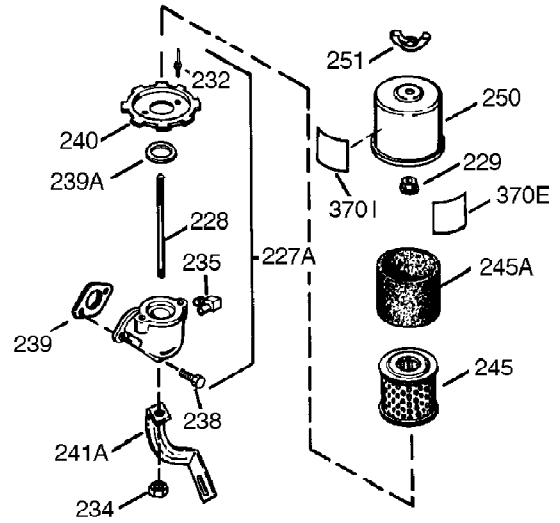
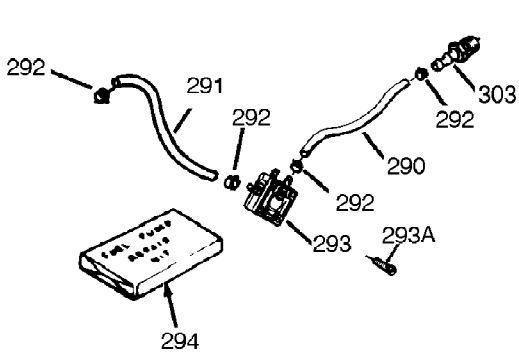


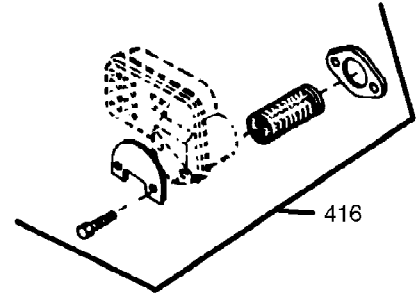
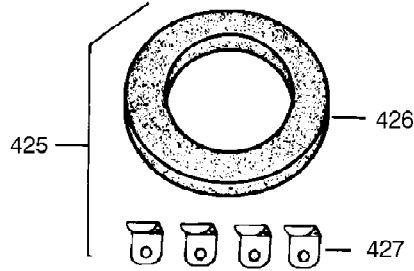
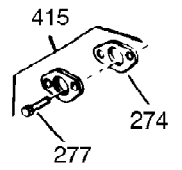
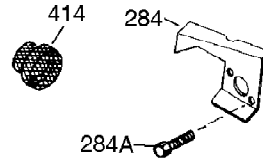
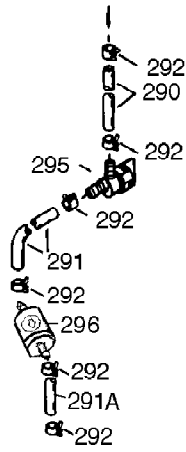
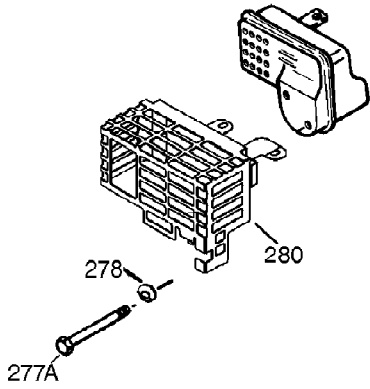
| Ref # | Part Number | Qty | S/P/F | Description  |
|-------|-------------|-----|-------|--|
| 1     | 35385       | 1   |       | "Cylinder Ass'y. (Incl. 2, 20, 72 & 72 A)(3-1/8" Bore) |
| 2     | 27652       | 2   |       | Dowel Pin  |
| 14    | 28277       | 1   |       | Flat Washer  |
| 15B   | 650494      | 1   |       | Screw, 6-40 x 5/16"                                    |
| 15    | 30699C      | 1   | /P    | Governor Rod (Incl. 15A & 15B)                         |
| 15A   | 30700       | 1   |       | Governor Yoke  |
| 16    | 37255A      | 1   | /P    | Governor Lever Ass'y. (Incl. 212A)                     |
| 17    | 29916       | 1   |       | Governor Lever Clamp                                   |
| 18    | 651028      | 1   | /P    | Screw, T-15, 8-32 x 7/16"                              |
| 19    | 34663       | 1   |       | Speed Control Spring                                   |
| 20    | 35319       | 1   |       | Oil Seal   |
| 20    | 35319       | 1   |       | Oil Seal   |
| 25    | 36460       | 1   | S/P   | Blower Housing Baffle                                  |
| 26    | 650561      | 2   | /P    | Screw, 1/4-20 x 19/32"                                 |
| 26    | 650561      | 1   | /P    | Screw, 1/4-20 x 19/32"                                 |
| 28    | 30322       | 1   | /P    | Lock Nut, 8-32   |
| 30    | 35372A      | 1   | /P    | Crankshaft   |
| 35    | 29826       | 1   | /P    | Screw, 10-32 x 3/4"                                    |
| 36    | 29918       | 1   |       | Lock Washer #8   |
| 37    | 29216       | 1   |       | Lock Nut, 10-32  |
| 38    | 29642       | 1   |       | Retaining Ring   |
| 40    | 40011       | 1   | S/P   | Piston, Pin & Ring Set (Std.)                          |
| 40    | 40012       | 1   | /P    | Piston, Pin & Ring Set (.010" OS)                      |
| 41    | 40009       | 1   | S     | Piston & Pin Ass'y. (Std.) (Incl. 43)                  |
| 41    | 40010       | 1   | S     | Piston & Pin Ass'y. (.010" OS) Incl. 43                |
| 42    | 40013       | 1   |       | Ring Set (Std.)  |
| 42    | 40014       | 1   |       | Ring Set (.010" OS)                                    |
| 43    | 27888       | 2   |       | Piston Pin Retaining Ring                              |
| 45    | 36897       | 1   | S/P   | Connecting Rod Ass'y. (Incl. 47 & 49)                  |
| 47    | 651033      | 2   | S     | Connecting Rod Bolt                                    |
| 48    | 34034       | 2   | S/P   | Valve Lifter   |
| 49    | 36896       | 1   |       | Oil Dipper   |
| 50    | 35375       | 1   | /P    | Camshaft (MCR)   |
| 60    | 33273A      | 1   | /P    | Blower Housing Extension                               |
| 62    | 650760      | 1   | /P    | Screw, 8-32 x 3/8"                                     |
| 69    | 37342       | 1   | /P    | * Cylinder Cover Gasket                                |
| 70    | 35376A      | 1   | S/P   | Cylinder Cover (Incl. 71, 75, 80 thru 84)4)            |
| 71    | 35377       | 1   |       | Crankshaft Bushing                                     |
| 72    | 27642       | 2   | /P    | Oil Drain Plug (Sq. hd., 1/4-18)                       |
| 80    | 37587       | 1   |       | Governor Shaft   |
| 81    | 651080      | 1   | /P    | Washer   |
| 82    | 37588       | 1   |       | Governor Gear Ass'y. (Incl. 81)                        |
| 83    | 30588A      | 1   | /P    | Governor Spool   |
| 84    | 29193       | 1   |       | Retaining Ring   |
| 86    | 650833      | 7   |       | Screw, 1/4-20 x 1-3/16"                                |
| 87    | 650832      | 1   |       | Screw, 1/4-20 x 1-11/16"                               |
| 89    | 32589       | 1   |       | Flywheel Key   |
| 90    | 611091      | 1   |       | Flywheel   |
| 92    | 650880      | 1   |       | Lock Washer  |
| 93    | 650881      | 1   |       | Flywheel Nut   |
| 100   | 35135A      | 1   | S/P   | Solid State Ignition (Incl. 101)                       |
| 102   | 651024      | 2   | /P    | Solid State Mounting Stud                              |

| Ref # | Part Number | Qty | S/P/F | Description   |
|-------|-------------|-----|-------|---|
| 103   | 651007      | 2   | /P    | Screw, T-15, 10-24 x 15/16"                                 |
| 119   | 36448       | 1   |       | * Cylinder Head Gasket                                      |
| 120   | 36449       | 1   |       | Cylinder Head   |
| 125   | 27878A      | 1   | /P    | Exhaust Valve (Std.)(Incl. 151)                             |
| 125   | 27880A      | 1   | /P    | Exhaust Valve (1/32" OS) (Incl. 151)                        |
| 126   | 34035       | 1   |       | Intake Valve (Std.) (Incl. 151)                             |
| 127   | 650691      | 9   |       | Washer  |
| 128   | 650690      | 7   | S     | Belleville Washer   |
| 130A  | 650273      | 2   | /P    | Screw, 5/16-18 x 17/32"                                     |
| 130   | 650694A     | 7   | /P    | Screw, 5/16-18 x 2"   |
| 134   | 30747       | 1   | /P    | Shorting Clip   |
| 135   | 33636       | 1   | /P    | Resistor Spark Plug - RJ17LM                                |
| 139   | 33369       | 1   |       | Governor Gear Bracket                                       |
| 140   | 650836      | 2   | S     | Screw, 10-24 x 1/2"   |
| 149   | 27882       | 1   |       | Valve Spring Cap  |
| 150   | 27881       | 2   |       | Valve Spring  |
| 151   | 32581       | 2   |       | Valve Spring Keeper   |
| 151A  | 35862       | 1   | /P    | Valve Spring Cap  |
| 163   | 650890      | 1   | /P    | Lock Washer   |
| 169   | 27896A      | 2   | /P    | * Breather Gasket   |
| 170   | 28423       | 1   |       | Breather Body   |
| 171   | 28424       | 1   |       | Breather Element  |
| 172   | 28425       | 1   |       | Valve Cover   |
| 173   | 35350       | 1   | /P    | Breather Tube   |
| 174   | 650128      | 1   | /P    | Screw, 10-24 x 1/2"   |
| 174   | 650128      | 2   | /P    | Screw, 10-24 x 1/2"   |
| 178   | 29752       | 2   | /P    | Nut & Lock Washer 1/4-28                                    |
| 178   | 29752       | 4   | /P    | Nut & Lock Washer 1/4-28                                    |
| 182   | 30088A      | 2   | /P    | Screw, 1/4-28 x 1"  |
| 184   | 33263       | 1   | /P    | * Carburetor To Intake Pipe Gasket                          |
| 185   | 34707       | 1   |       | Intake Pipe   |
| 186   | 34661       | 1   |       | Governor Link   |
| 200   | 34677       | 1   |       | Control Bracket (Incl. 19, 203 & 204)                       |
| 203   | 31342       | 1   |       | Compression Spring  |
| 204   | 651029      | 1   | /P    | Screw, 5-40 x 7/16"   |
| 207   | 37448       | 1   | S     | Choke Link  |
| 212A  | 36288       | 1   |       | Bushing   |
| 215   | 32410       | 1   | /P    | Control Knob  |
| 222   | 651081      | 2   | /P    | Screw, 10-32 x 15/32"                                       |
| 223   | 650378      | 2   | /P    | Screw, T-30, 5/16-18 x 1-3/32"                              |
| 224   | 27915A      | 1   | /P    | * Intake Pipe Gasket  |
| 239   | 27272A      | 1   | /P    | * Air Cleaner Gasket  |
| 242   | 33267       | 1   |       | Air Cleaner Bracket   |
| 245   | 33268       | 1   |       | Air Filter (Paper) also available in Packaged Part #740027B |
| 250   | 33269A      | 1   | /P    | Air Cleaner Cover   |
| 251   | 37444       | 1   | S     | Wing Nut, 1/4-20  |
| 260   | 33375D      | 1   | S/P   | Blower Housing  |
| 261   | 650788      | 2   |       | Screw, 5/16-18 x 3/4"                                       |
| 262   | 29747B      | 2   | /P    | Screw, T-40, 5/16-24 x 21/32"                               |
| 264A  | 650802      | 1   | /P    | Screw, 1/4-20 x 5/8"  |
| 265   | 33272D      | 1   | /P    | Cylinder Head Cover   |
| 276A  | 31588       | 1   |       | Locking Plate   |

| Ref # | Part Number | Qty | S/P/F | Description  |
|-------|-------------|-----|-------|--|
| 277   | 650729      | 2   |       | Screw, 5/16-18 x 3-3/16"   |
| 281   | 33013       | 1   | /P    | Starter Bubble Cover   |
| 285   | 35985B      | 1   | S/P   | Starter Cup  |
| 298   | 650665      | 2   | /P    | Screw, 1/4-15 x 3/4"   |
| 300   | 34186A      | 1   | /P    | Fuel Tank (Incl. 292 & 301) (Outlet on Right-Side)                           |
| 301   | 36246       | 1   | S/P   | Fuel Cap   |
| 305   | 35554       | 1   |       | Oil Fill Tube  |
| 307   | 35499       | 1   |       | "O" Ring   |
| 308   | 35540       | 1   |       | Fill Tube Clip   |
| 310   | 36205       | 1   | /P    | Dipstick   |
| 338   | 650821      | 2   |       | Screw, 10-32 x 1/2"  |
| 340   | 34154       | 1   |       | Fuel Tank Bracket  |
| 341   | 34155       | 1   |       | Fuel Tank Bracket  |
| 370   | 35274       | 1   |       | Decal - Important Lubrication - SAE 3  |
| 370   | 35703       | 1   | /P    | Speed Control Decal  |
| 370   | 36695       | 1   |       | Decal - Tecumseh Logo for Top of Recoil Starter                              |
| 380   | 640260A     | 1   | /P    | Carburetor (Incl. 184 & 212A)  |
| 390   | 590746      | 1   | S/P   | Rewind Starter Note: This engine could have been built with 590704 starter . |
| 400   | 36450C      | 1   | /P    | * Gasket Set Incl. items marked PK in notes                                  |
| 420   | 730225A     | 1   | /P    | SAE 30 4-Cycle Engine Oil (Quart)  |
| 702   | 650727      | 2   |       | Screw, 5/16-18 x 1-25/32"  |

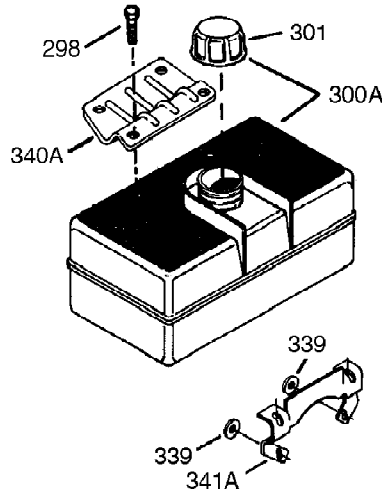
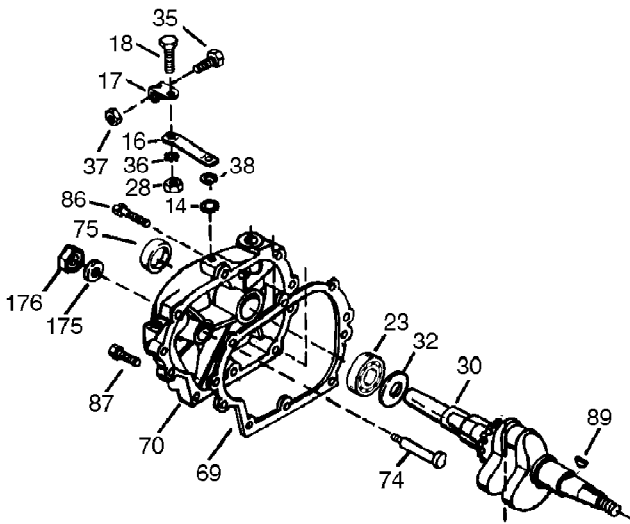
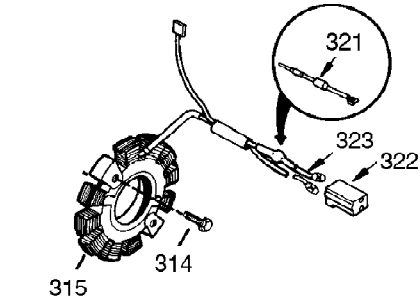


| Ref # | Part Number | Qty | S/P/F | Description  |
|-------|-------------|-----|-------|--|
| 72    | 27642       | 2   | /P    | Oil Drain Plug (Sq. hd., 1/4-18)   |
| 92    | 650880      | 1   |       | Lock Washer  |
| 151A  | 35862       | 1   | /P    | Valve Spring Cap   |
| 163   | 650890      | 1   | /P    | Lock Washer  |
| 222   | 651081      | 2   | /P    | Screw, 10-32 x 15/32"  |
| 239   | 27272A      | 1   | /P    | * Air Cleaner Gasket   |
| 240   | 33266       | 1   |       | Air Cleaner Body   |
| 245   | 33268       | 1   |       | Air Filter (Paper) also available in Packaged Part #740027B                  |
| 250   | 33269A      | 1   | /P    | Air Cleaner Cover  |
| 251   | 37444       | 1   | S     | Wing Nut, 1/4-20   |
| 260   | 33375D      | 1   | S/P   | Blower Housing   |
| 275   | 34185B      | 1   | /P    | Muffler  |
| 276A  | 31588       | 1   |       | Locking Plate  |
| 277   | 650729      | 2   |       | Screw, 5/16-18 x 3-3/16"   |
| 285   | 35985B      | 1   | S/P   | Starter Cup  |
| 291   | 30962       | 1   | /P    | Fuel Line  |
| 292   | 26460       | 2   | /P    | Fuel Line Clamp  |
| 380   | 640260A     | 1   | /P    | Carburetor (Incl. 184 & 212A)  |
| 390   | 590746      | 1   | S/P   | Rewind Starter Note: This engine could have been built with 590704 starter . |
| 702   | 650727      | 2   |       | Screw, 5/16-18 x 1-25/32"  |



OPTIONAL  
STARTER MUFF KIT

OPTIONAL  
SPARK ARRESTOR KIT



| Ref # | Part Number | Qty | S/P/F | Description                                 |
|-------|-------------|-----|-------|---|
| 14    | 28277       | 1   |       | Flat Washer                                 |
| 16    | 37255A      | 1   | /P    | Governor Lever Ass'y. (Incl. 212A)          |
| 17    | 29916       | 1   |       | Governor Lever Clamp                        |
| 18    | 651028      | 1   | /P    | Screw, T-15, 8-32 x 7/16"                   |
| 28    | 30322       | 1   | /P    | Lock Nut, 8-32                              |
| 30    | 35372A      | 1   | /P    | Crankshaft                                  |
| 35    | 29826       | 1   | /P    | Screw, 10-32 x 3/4"                         |
| 36    | 29918       | 1   |       | Lock Washer #8                              |
| 37    | 29216       | 1   |       | Lock Nut, 10-32                             |
| 38    | 29642       | 1   |       | Retaining Ring                              |
| 69    | 37342       | 1   | /P    | * Cylinder Cover Gasket                     |
| 70    | 35376A      | 1   | S/P   | Cylinder Cover (Incl. 71, 75, 80 thru 84)4) |
| 86    | 650833      | 7   |       | Screw, 1/4-20 x 1-3/16"                     |
| 87    | 650832      | 1   |       | Screw, 1/4-20 x 1-11/16"                    |
| 89    | 32589       | 1   |       | Flywheel Key                                |
| 151A  | 35862       | 1   | /P    | Valve Spring Cap                            |
| 163   | 650890      | 1   | /P    | Lock Washer                                 |
| 222   | 651081      | 2   | /P    | Screw, 10-32 x 15/32"                       |
| 276A  | 31588       | 1   |       | Locking Plate                               |
| 277   | 650729      | 2   |       | Screw, 5/16-18 x 3-3/16"                    |
| 291   | 30962       | 1   | /P    | Fuel Line                                   |
| 292   | 26460       | 2   | /P    | Fuel Line Clamp                             |
| 298   | 650665      | 2   | /P    | Screw, 1/4-15 x 3/4"                        |
| 301   | 36246       | 1   | S/P   | Fuel Cap                                    |
| 702   | 650727      | 2   |       | Screw, 5/16-18 x 1-25/32"                   |