

ILLUSTRATION SHOWS TYPICAL PARTS ONLY. ORDER BY PART NUMBER. PARTS NOT LISTED ARE SUPPLIED BY OEM.



Engine Parts List #1

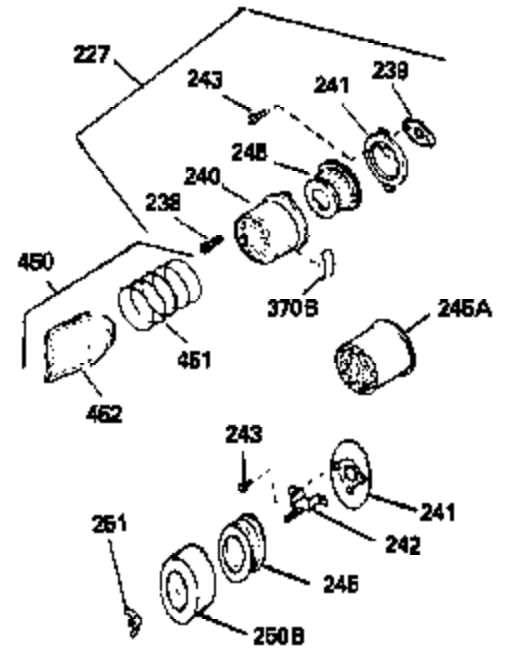
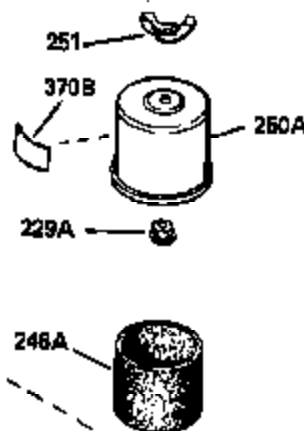
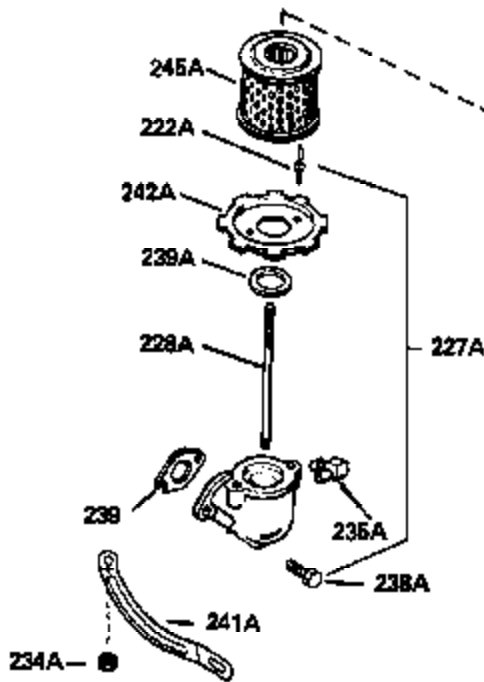
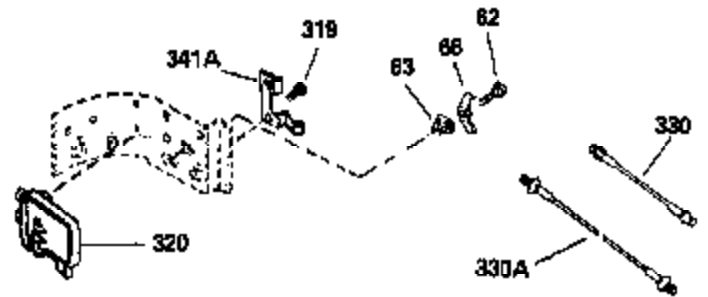
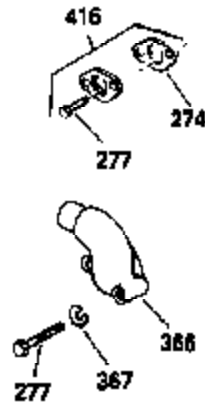
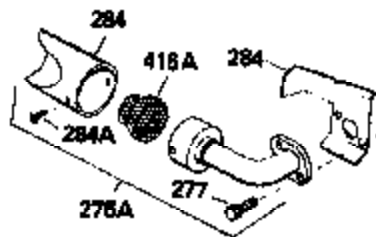
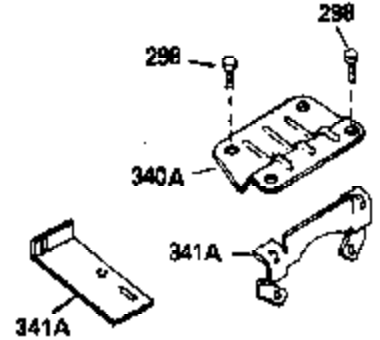
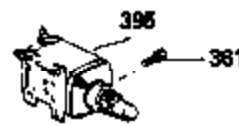
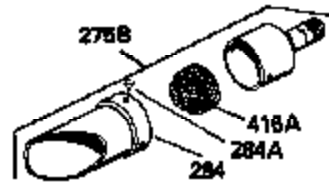
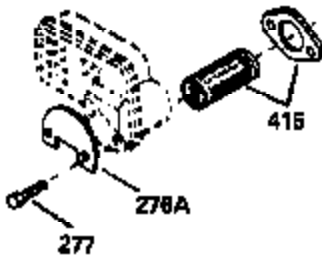
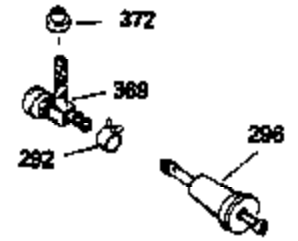
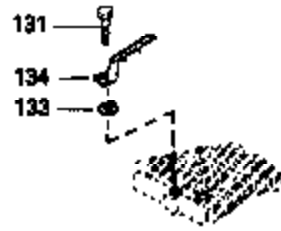
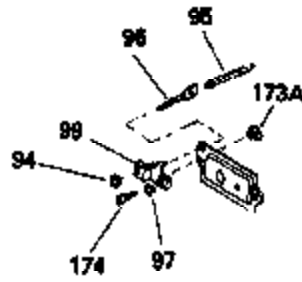
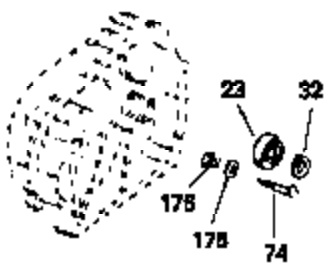
| Ref # | Part Number | Qty | Description |
|-------|-------------|-----|--|
| 1 | 34348B | | Cylinder (Incl.2,20,72,72A) (3-1/8" B ore) |
| 2 | 27652 | | Pin, Dowel |
| 15B | 650494 | | Screw, 6-40 x 5/16" |
| 15 | 30699C | | Rod Assy., Governor (Incl. 15A & 15B) |
| 15A | 30700 | | Yoke, Governor |
| 16 | 33454 | | Governor Lever Assy. |
| 17 | 29916 | | Clamp, Governor lever |
| 18 | 650548 | | Screw, 8-32 x 5/16" |
| 19 | 34663 | | Spring, Speed control |
| 20 | 32630 | | Seal, Oil |
| 25 | 35256A | | Baffle, Blower housing |
| 26 | 650561 | | Screw, 1/4-20 x 5/8" |
| 30 | 35226 | | Crankshaft (Incl. 108 & 109) |
| 32 | 33628 | | Washer, Thrust |
| 35 | 29826 | | Screw, 10-32 x 3/4" |
| 36 | 29918 | | Lockwasher, # 8 E.T. |
| 37A | 30322 | | Locknut, Hex "Keps", 8-32 |
| 37 | 29216 | | Nut & Lockwasher, 10-32 "Keps" |
| 38 | 29642 | | Ring, Retaining |
| 40 | 34552 | | Piston, Pin & Ring Set (Std.) (3-1/8") |
| 40 | 34553 | | Piston, Pin & Ring Set (.010" OS) |
| 40 | 34554 | | Piston, Pin & Ring Set (.020" OS) |
| 41 | 34329A | | Piston & Pin Ass'y.(Std)(Incl.43)(3-1 /8") |
| 41 | 34330A | | Piston & Pin Ass'y. (.010" OS)(Incl. 43) |
| 41 | 34331A | | Piston & Pin Ass'y. (.020" OS)(Incl. 43) |
| 42 | 34332 | | Ring Set (Std.) (3-1/8" Bore) |
| 42 | 34333 | | Ring Set (.010" OS) |
| 42 | 34334 | | Ring Set (.020" OS) |
| 43 | 27888 | | Ring, Piston pin retaining |
| 45 | 32591C | | Rod Assy., Connecting (Incl. 49) |
| 47 | 650662C | | Bolt, Connecting rod (2 pieces) |
| 48 | 34034 | | Lifter, Valve |
| 49 | 34242 | | Dipper, Oil |
| 50 | 34143 | | Camshaft (MCR) |
| 60 | 33273A | | Extension, Blower housing |
| 65 | 650128 | | Screw, 10-24 x 1/2" |
| 69 | 35262 | | * Gasket, Cylinder cover |
| 70 | 33626B | | Cyl. Cover (Incl.71,74,75,80,175,176, 311,312) |
| 72 | 27642 | | Plug, Oil drain |
| 75 | 33625 | | Seal, Oil |
| 80 | 31845 | | Shaft, Mechanical governor |
| 81 | 30590A | | Washer, Flat |
| 82 | 30591 | | Gear Assy., Governor (Incl. 81) |
| 83 | 30588A | | Spool, Governor |
| 84 | 29193 | | Ring, Retaining |
| 86 | 650833 | | Screw, 1/4-20 x 1-3/16" |
| 87 | 650832 | | Screw, 1/4-20 x 1-11/16" |
| 89 | 32589 | | Key, Flywheel |
| 90 | 611092 | | Flywheel (3 amp) |
| 92 | 650815 | | Washer, Belleville |
| 93 | 8116 | | Nut, Hex (1/2-20) |
| 100 | 35135 | | Lamination Assy., Solid State |
| 101 | 610118 | | Cover, Spark plug (Use as required) |
| 102 | 650872 | | Stud, Lamination mounting |
| 103 | 650814 | | Screw, Torx T-15, 10-24 x 1" |
| 108 | 29783 | | Pin, Crankshaft gear |
| 109 | 33245 | | Gear, Crankshaft |
| 119 | 34041A | | * Gasket, Head |

| Ref # | Part Number | Qty | Description |
|-------|-------------|-----|--|
| 120 | 34030A | | Head, Cylinder |
| 125 | 27878A | | Exhaust Valve (Std.) (Incl. 151) |
| 125 | 27880A | | Exhaust Valve (1/32" OS) (Incl. 151) |
| 126 | 34035 | | Intake Valve (Std.) (Incl. 151) |
| 126 | 34036 | | Intake Valve (1/32" OS) (Incl. 151) |
| 127 | 650691 | | Washer (Use as req., but not w/6021A screw) |
| 127A | 26073 | | Washer, Flat (Use as required) |
| 127A | 650570 | | Washer, Flat (Use as required) |
| 128 | 650690 | | Washer, Belleville |
| 129 | 650727 | | Screw, 5/16-18 x 1-3/4" (Use as required) |
| 130 | 650694A | | Screw, 5/16-18 x 2" (Use as required) |
| 130A | 6021A | | Screw, 5/16-18 x 1-1/2" (Use as required, but do not use with 650691 washer) |
| 131A | 650713 | | Screw, 5/16-18 x 5/8" (Use as required) |
| 131A | 792028 | | Screw, 5/16-18 x 7/8" (Use as required) |
| 131 | 650802 | | Screw, 1/4-20 x 5/8" (Use as required) |
| 131 | 650737 | | Screw, 1/4-20 x 1/2" (Use as required) |
| 131 | 650738 | | Screw, 1/4-20 x 5/8" (Use as required) |
| 135 | 33636 | | Resistor Spark Plug (RJ17LM) |
| 139 | 33369 | | Bracket, Governor gear |
| 140 | 650836 | | Screw, 10-24 x 1/2" |
| 149 | 27882 | | Cap, Upper valve spring |
| 149A | 35862 | | Seal Assy., Intake valve |
| 150 | 27881 | | Spring, Valve |
| 151 | 32581 | | Cap, Lower valve spring |
| 169 | 27896A | | * Gasket, Breather cover |
| 170 | 28423 | | Body, Breather |
| 171 | 28424 | | Element, Breather |
| 172 | 28425 | | Cover, Valve spring |
| 173 | 35350 | | Tube, Breather |
| 174 | 650128 | | Screw, 10-24 x 1/2" |
| 174 | 650597 | | Screw, 10-24 x 5/8" |
| 179B | 30593 | | Clip, Primer line (Use as required) |
| 184 | 33263 | | * Gasket, Carburetor |
| 203 | 31342 | | Spring, Compression |
| 204 | 650549 | | Screw, 5-40 x 7/16" |
| 206 | 610973 | | Terminal Assy. (Use as required) |
| 210 | 27793 | | Clip, Conduit |
| 211 | 28942 | | Screw, 10-32 x 3/8" |
| 224 | 27915A | | * Gasket, Intake pipe |
| 225 | 35043 | | Tube, Carburetor |
| 225A | 631334 | | Washer, Carburetor tube |
| 260 | 33375D | | Blower Housing (For electric starter) |
| 261 | 650788 | | Screw, 5/16-18 x 3/4" (Use as required) |
| 262 | 29747B | | Screw, 5/16-24 x 21/32" |
| 265 | 33272B | | Cover, Cylinder head |
| 275C | 35824 | | Muffler (Optional quiet muffler) |
| 277A | 650696 | | Screw, 5/16-18x2-3/4" (Used with 276A) |
| 281 | 33013 | | Cover, Starter bubble |
| 282 | 650760 | | Screw, 8-32 x 3/8" |
| 285 | 32125 | | Cup, Starter |
| 286A | 35194 | | Screen, Starter |
| 287 | 29752 | | Nut & Lockwasher, 1/4-28 |
| 290 | 29774 | | Fuel Line (Braided 8-1/4")(21 cm)(As req.) |
| 290 | 30705 | | Fuel Line (Braided 16")(41 cm)(Use as req.) |
| 290 | 30962 | | Fuel Line (Braided 32")(81 cm)(Use as req.) |
| 292 | 26460 | | Clamp, Fuel line (Use as required) |

| Ref # | Part Number | Qty | Description |
|-------|-------------|-----|--|
| 298 | 650665 | | Screw, 1/4-15 x 7/8" |
| 300 | 34156A | | Fuel Tank (Incl. 292 & 301) NOTE: These tanks were built with different size fuel inlet openings. Tanks with the 1-3/16" I.D. opening use fuel cap 34210. Tanks with the 1-1/2" I.D. opening use fuel cap 35355. |
| 301 | 410144B | | Fuel Cap (White Plastic)(Std)(1-1/2" I.D.) |
| 301 | 33032 | | Fuel Cap (Red Plastic) (Spurt Resistant, Low Profile) (1-3/16" I.D.) |
| 301 | 34210 | | Fuel Cap (Red Plastic) (Spurt Resistant, High Profile) (1-3/16" I.D.) |
| 301 | 35355 | | Fuel Cap (Red plastic) (1-1/2" I.D.) |
| 306 | 29673 | | * Gasket, Oil fill |
| 310 | 31297 | | Dipstick (Incl. 306) |
| 325 | 29443 | | Clip, Fuel line (Use as required) |
| 325 | 34246 | | Clip, Ground wire (Use as required) |
| 340 | 34154 | | Plate, Fuel tank mounting |
| 341 | 34155 | | Bracket, Fuel tank mounting |
| 342 | 650561 | | Screw, 1/4-20 x 5/8" |
| 370J | 34870 | | Decal, Instruction Can be used on HM80 with diecast starter. |
| 370 | 34346 | | Decal, Instruction |
| 370A | 34686 | | Decal, Name |
| 379 | 631725 | | Inlet Needle, Seat & Clip Assy. |
| 380 | 632402 | | Carburetor (Incl. 184) (Refer to Division 5, Section A, page 200 for breakdown or Fiche 18A-1, Grid F-7) |
| 390 | 590479 | | Rewind Starter (Refer to Division 5, Section C, page 30 for breakdown or Fiche 18A-1, Grid G-5) |
| 400 | 33279G | | Gasket Set (Incl. items marked*) |
| 408 | 35570 | | Screen Seal (Can be used on HM80 with stamped steel recoil starter) |
| 409 | 35569 | | Spacer (Can be used on HM80 with stamped steel recoil starter) |
| 410 | 730573 | | Debris Screen Kit (Incl. 360, 370B, 387, 411 & 413) (Can be used on HM80 with stamped steel recoil starter) |
| 411 | 35568 | | Debris Screen (Can be used on HM80 with stamped steel recoil starter) |
| 413 | 650907 | | Screw, 5/16-18 x 1-5/8" (Can be used on HM80 with stamped steel recoil starter) |
| 420 | 730225 | | SAE 30, 4-Cycle Engine Oil (Quart) |
| 421 | 730226 | | SAE 5W30, 4-Cycle Engine Oil (Quart) |
| 425 | 730572 | | Starter Muff Kit (Incl. 370J, 426 & 4 27) (Can be used on HM80 with die cast starter) |
| 429 | 650868 | | Screw, 8-18 x 1-1/8" (3 Required) (Use as required) (Refer to Mechanics Handbook for installation instructions). |
| 430 | 611077 | | Alternator, Add on (Use as required) (Refer to Mechanics Handbook for installation instructions). |
| 431 | 590609 | | Centering tube (Use with engines equipped with die cast aluminum starter)(Use as required) (Refer to Mechanics Handbook for installation instructions) |
| 431 | 590610 | | Centering tube (Use as required) (Refer to Mechanics Handbook for installation instructions). |

| Ref # | Part Number | Qty | Description |
|-------|-------------|-----|---|
| 432 | 611078 | | A.C. Lighting Connector (Use as required) (Refer to Mechanics Handbook for installation instructions). |
| 432 | 611079 | | D.C. Charging Connector (Use as required) (Refer to Mechanics Handbook for installation instructions). |
| 433 | 590611 | | Alternator Shaft (4.00") (Use with engines equipped with cast aluminum starter)(Use as required) (Refer to Mechanics Handbook for installation instructions). |
| 433 | 590636 | | Alternator Shaft (Use with engines equipped with stamped steel starter)(Use as required) (Refer to Mechanics Handbook for installation instructions). |

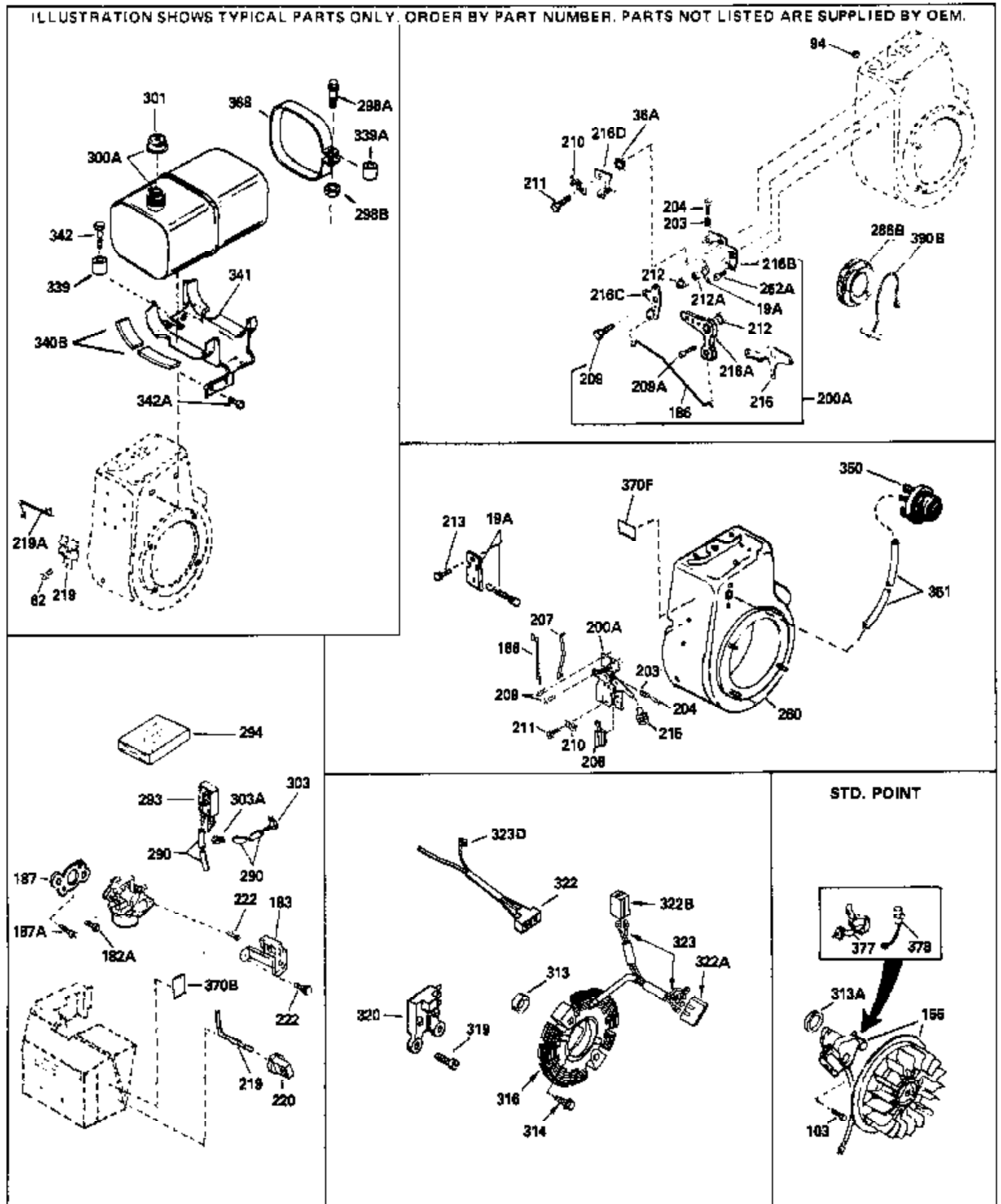
ILLUSTRATION SHOWS TYPICAL PARTS ONLY. ORDER BY PART NUMBER. PARTS NOT LISTED ARE SUPPLIED BY OEM.



| Ref # | Part Number | Qty | Description |
|-------|-------------|-----|--|
| 23 | 33627 | | Bearing, Ball |
| 32 | 33628 | | Washer, Thrust |
| 74 | 31855 | | Retainer, Bearing |
| 97 | | | Lockwasher, Heavy split, #10 (Buy locally) |
| 131 | 650802 | | Screw, 1/4-20 x 5/8" (Use as required) |
| 131 | 650737 | | Screw, 1/4-20 x 1/2" (Use as required) |
| 131 | 650738 | | Screw, 1/4-20 x 5/8" (Use as required) |
| 174 | 650128 | | Screw, 10-24 x 1/2" |
| 174 | 650597 | | Screw, 10-24 x 5/8" |
| 175 | 650778 | | Lockwasher |
| 176 | 650580 | | Nut, Lock, 10-24 |
| 227 | 730127 | | Air Cleaner Ass'y. (Incl.238,239,240,241,243,245 & 370) (Use as required) |
| 227 | 730164 | | Air Cleaner Ass'y. (Incl. 238, 239, 240, 241, 243 & 245) (Use as required) |
| 228A | 650824 | | Stud, 1/4-20 x 7.33 (Use as required) |
| 228A | 650851 | | Stud, 1/4-20 x 8.1 (Use as required) (Used with drilled thru elbow) |
| 239 | 27272A | | * Gasket, Air cleaner |
| 239 | 27272A | | * Gasket, Air cleaner |
| 241 | 33266 | | Bracket, Air cleaner |
| 242 | 33267 | | Bracket, Air cleaner |
| 243 | 28820 | | Screw, 10-32 x 1/2" |
| 245 | 33268 | | Element, Air cleaner |
| 245A | 34700 | | Element, Air cleaner |
| 250B | 33269A | | Cover, Air cleaner |
| 251 | 650513 | | Nut, Wing, 1/2-20 |
| 274 | 35865 | | Gasket, Exhaust (Use as required) |
| 275C | 35824 | | Muffler (Optional quiet muffler) |
| 275A | 33714 | | Muffler (Incl. 284, 284A & 416A) |
| 275B | 391026 | | Muffler (Incl. 284, 284A & 416A) (This spark arresting muffler can be used on any model.) |
| 277A | 650696 | | Screw, 5/16-18x2-3/4" (Used with 276A) |
| 284 | 34390 | | Deflector, Exhaust |
| 292 | 26460 | | Clamp, Fuel line (Use as required) |
| 298 | 650665 | | Screw, 1/4-15 x 7/8" |
| 370B | 34387 | | Decal, Instruction Can be used on HM80 with stamped steel recoil starter. |
| 370J | 34870 | | Decal, Instruction Can be used on HM80 with diecast starter. |
| 395 | 33329D | | Starter Motor Kit (110-120 Volt) This 110-120 volt starter motor kit may have been added to this engine. It can be added only if cylinder has drilled and tapped starter mounting bosses and a ring gear flywheel. Refer to service number stamped on end cap of motor, or on decal for identification. Ref |
| 408 | 35570 | | Screen Seal (Can be used on HM80 with stamped steel recoil starter) |
| 409 | 35569 | | Spacer (Can be used on HM80 with stamped steel recoil starter) |
| 410 | 730573 | | Debris Screen Kit (Incl. 360, 370B, 387, 411 & 413) (Can be used on HM80 with stamped steel recoil starter) |
| 411 | 35568 | | Debris Screen (Can be used on HM80 with stamped steel recoil starter) |

| Ref # | Part Number | Qty | Description |
|-------|-------------|-----|---|
| 413 | 650907 | | Screw, 5/16-18 x 1-5/8" (Can be used on HM80 with stamped steel recoil starter) |
| 415 | 730130 | | Exh.Adapter Kit (Incl.274,277)(Use as req.) |
| 425 | 730572 | | Starter Muff Kit (Incl. 370J, 426 & 4 27) (Can be used on HM80 with die cast starter) |
| 429 | 650868 | | Screw, 8-18 x 1-1/8" (3 Required) (Use as required) (Refer to Mechanics Handbook for installation instructions). |
| 430 | 611077 | | Alternator, Add on (Use as required) (Refer to Mechanics Handbook for installation instructions). |
| 431 | 590609 | | Centering tube (Use with engines equipped with die cast aluminum starter)(Use as required) (Refer to Mechanics Handbook for installation instructions) |
| 431 | 590610 | | Centering tube (Use as required) (Refer to Mechanics Handbook for installation instructions). |
| 432 | 611078 | | A.C. Lighting Connector (Use as required) (Refer to Mechanics Handbook for installation instructions). |
| 432 | 611079 | | D.C. Charging Connector (Use as required) (Refer to Mechanics Handbook for installation instructions). |
| 433 | 590611 | | Alternator Shaft (4.00") (Use with engines equipped with cast aluminum starter)(Use as required) (Refer to Mechanics Handbook for installation instructions). |
| 433 | 590636 | | Alternator Shaft (Use with engines equipped with stamped steel starter)(Use as required) (Refer to Mechanics Handbook for installation instructions). |

ILLUSTRATION SHOWS TYPICAL PARTS ONLY. ORDER BY PART NUMBER. PARTS NOT LISTED ARE SUPPLIED BY OEM.



| Ref # | Part Number | Qty | Description |
|-------|-------------|-----|--|
| 19A | 33857 | | Spring Assy., Governor extension (Inc l. 213) |
| 103 | 650814 | | Screw, Torx T-15, 10-24 x 1" |
| 182A | 650517 | | Screw, 1/4-20 x 27/32" |
| 186 | 34661 | | Link, Governor |
| 187A | 30196 | | Screw, 5/16-18 x 3/4" |
| 187 | 34349A | | Flange, Carburetor mounting |
| 200A | 34784 | | Control Bracket (Incl.19,19A,203,204, 206,209) |
| 203 | 31342 | | Spring, Compression |
| 204 | 650549 | | Screw, 5-40 x 7/16" |
| 206 | 610973 | | Terminal Assy. (Use as required) |
| 207 | 34785 | | Link, Throttle |
| 209 | 650821 | | Screw, 10-32 x 1/2" |
| 210 | 27793 | | Clip, Conduit |
| 211 | 28942 | | Screw, 10-32 x 3/8" |
| 213 | 28942 | | Screw, 10-32 x 3/8" |
| 260 | 33375D | | Blower Housing (For electric starter) |
| 275C | 35824 | | Muffler (Optional quiet muffler) |
| 277A | 650696 | | Screw, 5/16-18x2-3/4" (Used with 276A) |
| 290 | 29774 | | Fuel Line (Braided 8-1/4")(21 cm)(As req.) |
| 290 | 30705 | | Fuel Line (Braided 16")(41 cm)(Use as req.) |
| 290 | 30962 | | Fuel Line (Braided 32")(81 cm)(Use as req.) |
| 293 | 35813 | | Fuel pump, Impulse |
| 294 | 33010 | | Repair Kit, Fuel pump |
| 301 | 410144B | | Fuel Cap (White Plastic)(Std)(1-1/2" I.D.) |
| 301 | 33032 | | Fuel Cap (Red Plastic) (Spurt Resistant, Low Profile) (1-3/16" I.D.) |
| 301 | 34210 | | Fuel Cap (Red Plastic) (Spurt Resistant, High Profile) (1-3/16" I.D.) |
| 301 | 35355 | | Fuel Cap (Red plastic) (1-1/2" I.D.) |
| 303A | 34237 | | Fitting, Fuel |
| 303 | 33713 | | Fitting, Elbow |
| 313A | 33876 | | Gasket, Stator |
| 313 | 35189 | | Spacer, Coil |
| 314 | 650873 | | Screw, 1/4-20 x 3/4" |
| 316 | 611095 | | Alt.Coil (Incl.322E & 322D) (3 amp, A .C.) |
| 322 | 610823 | | Connector |
| 323D | 610822 | | Terminal, Male |
| 339 | 35038 | | Spacer, Tank |
| 341 | 34155 | | Bracket, Fuel tank mounting |
| 342 | 650561 | | Screw, 1/4-20 x 5/8" |
| 370J | 34870 | | Decal, Instruction Can be used on HM80 with diecast starter. |
| 370B | 34387 | | Decal, Instruction Can be used on HM80 with stamped steel recoil starter. |
| 408 | 35570 | | Screen Seal (Can be used on HM80 with stamped steel recoil starter) |
| 409 | 35569 | | Spacer (Can be used on HM80 with stamped steel recoil starter) |
| 410 | 730573 | | Debris Screen Kit (Incl. 360, 370B, 387, 411 &413) (Can be used on HM80 with stamped steel recoil starter) |
| 411 | 35568 | | Debris Screen (Can be used on HM80 with stamped steel recoil starter) |
| 413 | 650907 | | Screw, 5/16-18 x 1-5/8" (Can be used on HM80 with stamped steel recoil starter) |

| Ref # | Part Number | Qty | Description |
|-------|-------------|-----|---|
| 425 | 730572 | | Starter Muff Kit (Incl. 370J, 426 & 4 27) (Can be used on HM80 with die cast starter) |
| 429 | 650868 | | Screw, 8-18 x 1-1/8" (3 Required) (Use as required) (Refer to Mechanics Handbook for installation instructions). |
| 430 | 611077 | | Alternator, Add on (Use as required) (Refer to Mechanics Handbook for installation instructions). |
| 431 | 590609 | | Centering tube (Use with engines equipped with die cast aluminum starter)(Use as required) (Refer to Mechanics Handbook for installation instructions) |
| 431 | 590610 | | Centering tube (Use as required) (Refer to Mechanics Handbook for installation instructions). |
| 432 | 611078 | | A.C. Lighting Connector (Use as required) (Refer to Mechanics Handbook for installation instructions). |
| 432 | 611079 | | D.C. Charging Connector (Use as required) (Refer to Mechanics Handbook for installation instructions). |
| 433 | 590611 | | Alternator Shaft (4.00") (Use with engines equipped with cast aluminum starter)(Use as required) (Refer to Mechanics Handbook for installation instructions). |
| 433 | 590636 | | Alternator Shaft (Use with engines equipped with stamped steel starter)(Use as required) (Refer to Mechanics Handbook for installation instructions). |