



Engine Parts List #1

Ref #	Part Number	Qty	Description
	1 35385		Cylinder (Incl. 2,20,72,72A) (3-1/8" Bore)
	2 27652		Pin, Dowel
	15A 30700		Yoke, Governor
	15 30699C		Rod Assy., Governor (Incl. 15A & 15B)
	15B 650494		Screw, 6-40 x 5/16"
	16 33454		Governor Lever Assy.
	17 29916		Clamp, Governor lever
	18 650548		Screw, 8-32 x 5/16"
	20 35319		Seal, Oil
	25 36460		Baffle, Blower housing
	26 650561		Screw, 1/4-20 x 5/8"
	30 35389A		Crankshaft
	35 29826		Screw, 10-32 x 3/4"
	36 29918		Lockwasher, # 8 E.T.
	37A 30322		Locknut, 8-32
	37 29216		Nut & Lockwasher, 10-32
	38 29642		Ring, Retaining
	40 34552		Piston, Pin & Ring Set (Std.) (3-1/8" Bore)
	40 34553		Piston, Pin & Ring Set (.010" OS)
	40 34554		Piston, Pin & Ring Set (.020" OS)
	41 34329A		Piston & Pin Ass'y. (3-1/8")(Std.)(In cl. 43)
	41 34330A		Piston & Pin Ass'y. (.010" OS) (Incl. 43)
	41 34331A		Piston & Pin Ass'y. (.020" OS) (Incl. 43)
	42 34332		Ring Set (Std.) (3-1/8" Bore)
	42 34333		Ring Set (.010" OS)
	42 34334		Ring Set (.020" OS)
	43 27888		Ring, Piston pin retaining
	45 35373A		Rod Assy., Connecting (Incl. 49)
	46 650908		Bolt, Connecting rod
	47 650882		Bolt, Connecting rod
	48 34034		Lifter, Valve
	49 35374		Dipper, Oil
	50 35375		Camshaft (MCR)
	60 33273A		Extension, Blower housing
	65 650128		Screw, 10-24 x 1/2"
	69 35262		* Gasket, Cylinder cover
	70 33626B		Cyl.Cover(Incl.71,74,75,80,175,176,31 1,312)
	72A 9556		Plug, Pipe
	72 27642		Plug, Oil drain
	75 33625		Seal, Oil
	80 31845		Shaft, Mechanical governor
	81 30590A		Washer, Flat
	82 35378		Gear Assy., Governor (Incl. 81)
	83 30588A		Spool, Governor
	84 29193		Ring, Retaining
	86 650833		Screw, 1/4-20 x 1-3/16"
	87 650832		Screw, 1/4-20 x 1-11/16"
	89 32589		Key, Flywheel
	90 611090		Flywheel
	92 650880		Washer, Belleville
	93 650881		Hex Nut, 5/8-18
	94 33450		Nut Lock, 10-32
	95 30886A		Spring, Extension
	96 30845A		Bolt, Governor spring adjusting
	100 35135		Lamination Assy., Solid State
	102 650872		Stud, Lamination mounting
	103 650814		Screw, Torx T-15, 10-24 x 1"
	119 34041A		* Gasket, Head

Ref #	Part Number	Qty	Description
120	34030A		Head, Cylinder
125	27878A		Exhaust Valve (Std.) (Incl. 151)
125	27880A		Exhaust Valve (1/32" OS) (Incl. 151)
126	34035		Intake Valve (Std.) (Incl. 151)
126	34036		Intake Valve (1/32" OS) (Incl. 151)
127	650691		Washer (Use as req., but not w/6021A screw)
128	650690		Washer, Belleville
129	650727		Screw, 5/16-18 x 1-3/4" (Use as required)
130	650694A		Screw, 5/16-18 x 2" (Use as required)
130A	6021A		Screw, 5/16-18 x 1-1/2" (Use as req.,but not w/650691 washer)
131A	650713		Screw, 5/16-18 x 5/8" (Use as required)
135	33636		Resistor Spark Plug (RJ-17LM)
139	33369		Bracket, Governor gear
140	650836		Screw, 10-24 x 1/2"
149	27882		Cap, Upper valve spring
149A	27882		Cap, Upper valve spring
150	27881		Spring, Valve
151	32581		Cap, Lower valve spring
169	27896A		* Gasket, Breather cover
170	28423		Body, Breather
171	28424		Element, Breather
172	28425		Cover, Valve spring
173	35350		Tube, Breather
178	29752		Nut & Lockwasher, 1/4-28
182	30088A		Screw, 1/4-28 x 1"
184	33263		* Gasket, Carburetor
185	34707		Pipe, Intake
203	31342		Spring, Compression
204	650549		Screw, 5-40 x 7/16"
206	610973		Terminal Assy. (Use as required)
207	33878		Link, Governor-to-throttle
209	650821		Screw, 10-32 x 1/2"
210	27793		Clip, Conduit
211	28942		Screw, 10-32 x 3/8"
223	650378		Screw, Torx T-30, 5/16-18 x 1-1/8"
224	27915A		* Gasket, Intake pipe
242	33267		Bracket, Air cleaner
260	33375D		Blower Housing (For electric starter)
261	650788		Screw, 5/16-18 x 3/4"
262	29747B		Screw, 5/16-24 x 21/32"
265	33272B		Cover, Cylinder head
276	35740		Plate, Muffler locking
277	650729		Screw, 5/16-18 x 3-3/16"
281	33013		Cover, Starter bubble
282	650760		Screw, 8-32 x 3/8"
285	35287		Cup, Starter
286	35446		Screen, Starter (Stationary)
287	29752		Nut & Lockwasher, 1/4-28
290	30705		Fuel Line (Braided 16") (41 cm)
292	26460		Clamp, Fuel line
298	650665		Screw, 1/4-15 x 7/8"
300	34156A		Fuel Tank (Incl. 292 & 301) NOTE: These tanks were built with different size fuel inlet openings. Tanks with the 1-3/16" I.D. opening use fuel cap 34210. Tanks with the 1-1/2" I.D. opening use fuel cap 35355.
301	35355		Fuel Cap

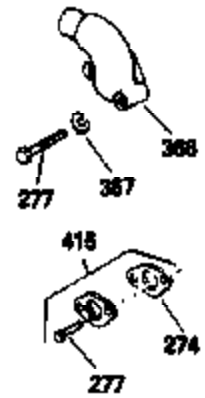
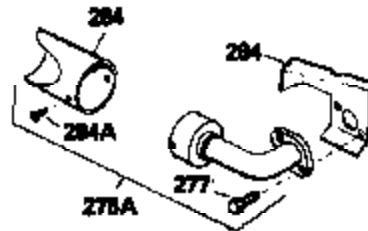
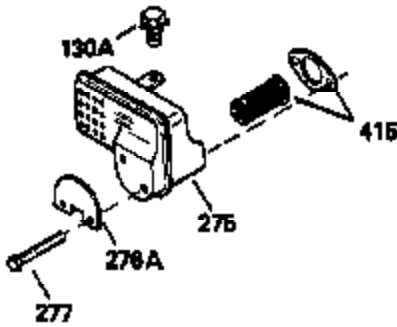
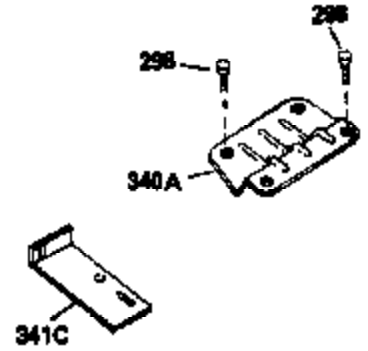
Ref #	Part Number	Qty	Description
	305 35554		Tube, Oil fill
	306 29673		* Gasket, Oil fill
	306 35499		"O" Ring
	308 35540		Clip, Fill tube
	310A 35941		Dipstick (Incl. 306)
	325B 29443		Clip, Fuel line (Use as required)
	325 34246		Clip, Ground wire (Use as required)
	327 35392		Plug, Starter
	329 610973		Terminal Assy.
	330 34069		Wire Harness (6-3/4") (7 Amp)
	336 650765		Screw, 10-32 x 1/2"
	340 34154		Plate, Fuel tank mounting
	342 650561		Screw, 1/4-20 x 5/8"
	370B 34387		Decal, Instruction Can be used on HM80 with stamped steel recoil starter.
	370A 34686		Decal, Name
	370J 34870		Decal, Instruction Can be used on HM80 with diecast starter.
	370 34346		Decal, Instruction
	370 35274		Decal, Instruction
	379 631021		Inlet Needle, Seat & Clip Assy.
	380 632351		Carburetor (Incl. 184) (Refer to Division 5, Section A, page A3-14 for breakdown or Fiche 18A-2, Grid F-7)
	390A 590685		Rewind Starter (Refer to Division 5, Section C, page 30 for breakdown or Fiche 18A-2, Grid G-1)
	400 33279G		Gasket Set (Incl. items marked*)
	407 35836		Fill Tube & Dipstick Assy. (Incl. 306 & 308)
	420 730225		SAE 30, 4-Cycle Engine Oil (Quart)
	421 730226		SAE 5W30, 4-Cycle Engine Oil (Quart)

ILLUSTRATION SHOWS TYPICAL PARTS ONLY. ORDER BY PART NUMBER. PARTS NOT LISTED ARE SUPPLIED BY OEM.



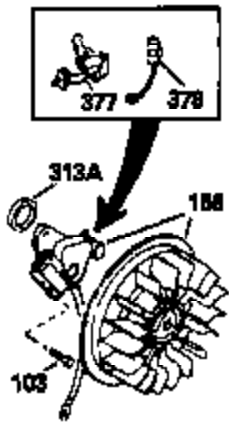
Ref #	Part Number	Qty	Description
1	35385		Cylinder (Incl. 2,20,72,72A) (3-1/8" Bore)
2	27652		Pin, Dowel
72	27642		Plug, Oil drain
169	27896A		* Gasket, Breather cover
170	28423		Body, Breather
171	28424		Element, Breather
172	28425		Cover, Valve spring
173	35350		Tube, Breather
178	29752		Nut & Lockwasher, 1/4-28
207	33878		Link, Governor-to-throttle
227	730127		Air Cleaner Ass'y. (Incl. 238, 239, 240, 241, 243, 245 & 370)(Use as required)
227	730164		Air Cleaner Ass'y. (Incl. 238, 239, 240, 241, 243 & 245) (Use as required)
228	650824		Stud, 1/4-20 x 7.33 (Use as required)
228	650851		Stud, 1/4-20 x 8.1 (Use as required)(Used with drilled thru elbow)
240	33269A		Cover, Air cleaner
241	33266		Bracket, Air cleaner
242	33267		Bracket, Air cleaner
245	33268		Element, Air cleaner
251	650513		Nut, Wing, 1/4-20
276	35740		Plate, Muffler locking
277	650729		Screw, 5/16-18 x 3-3/16"
292	26460		Clamp, Fuel line
305	35554		Tube, Oil fill
306	29673		* Gasket, Oil fill
306	35499		"O" Ring
310A	35941		Dipstick (Incl. 306)
370J	34870		Decal, Instruction Can be used on HM80 with diecast starter.
370B	34387		Decal, Instruction Can be used on HM80 with stamped steel recoil starter.
380	632351		Carburetor (Incl. 184) (Refer to Division 5, Section A, page A3-14 for breakdown or Fiche 18A-2, Grid F-7)

ILLUSTRATION SHOWS TYPICAL PARTS ONLY. ORDER BY PART NUMBER. PARTS NOT LISTED ARE SUPPLIED BY OEM.

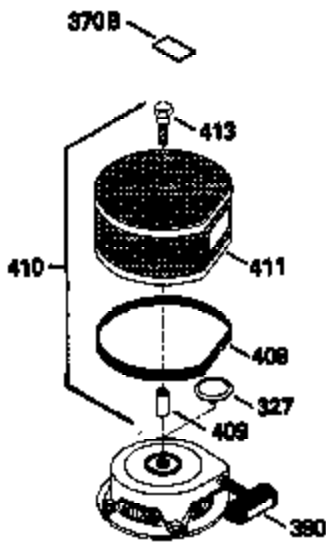
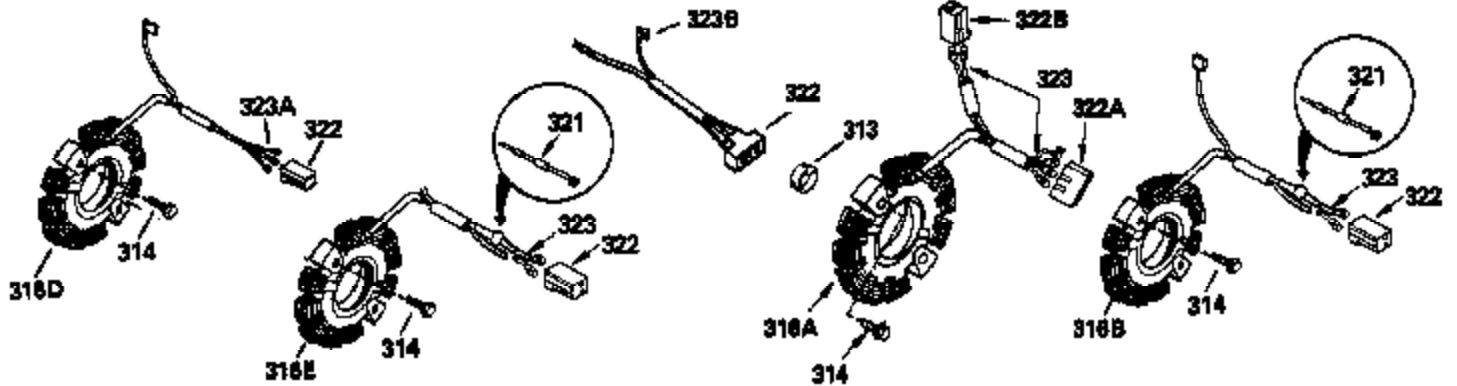
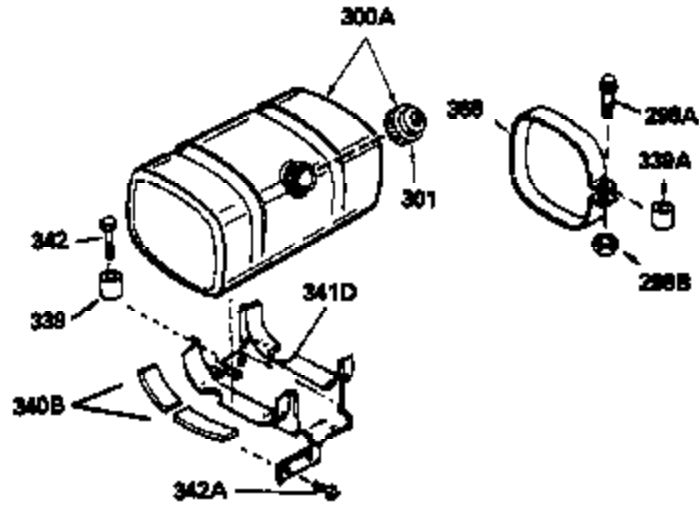


Ref #	Part Number	Qty	Description
16	33454		Governor Lever Assy.
17	29916		Clamp, Governor lever
18	650548		Screw, 8-32 x 5/16"
23	33627		Bearing, Ball
30	35389A		Crankshaft
32	33628		Washer, Thrust
35	29826		Screw, 10-32 x 3/4"
36	29918		Lockwasher, # 8 E.T.
37	29216		Nut & Lockwasher, 10-32
37A	30322		Locknut, 8-32
38	29642		Ring, Retaining
69	35262		* Gasket, Cylinder cover
70	33626B		Cyl.Cover(Incl.71,74,75,80,175,176,31 1,312)
74	31855		Retainer, Bearing
75	33625		Seal, Oil
86	650833		Screw, 1/4-20 x 1-3/16"
87	650832		Screw, 1/4-20 x 1-11/16"
89	32589		Key, Flywheel
130A	6021A		Screw, 5/16-18 x 1-1/2" (Use as req.,but not w/650691 washer)
131A	650713		Screw, 5/16-18 x 5/8" (Use as require d)
131	650802		Screw, 1/4-20 x 5/8" (Use as required)
131	650738		Screw, 1/4-20 x 5/8 (Use as required)
133	650890		Washer, Lock, 5/16"
134	30747		Clip, Spark plug shorting
242	33267		Bracket, Air cleaner
274	35865		Gasket, Exhaust (Use as required)
277	650729		Screw, 5/16-18 x 3-3/16"
298	650665		Screw, 1/4-15 x 7/8"
301	35355		Fuel Cap
341C	34155		Bracket, Fuel tank mounting
370J	34870		Decal, Instruction Can be used on HM80 with diecast starter.
415	730130		Exh.Adaptor Kit (Incl.274,277)(As req uired)

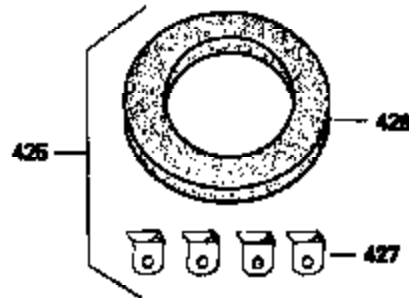
ILLUSTRATION SHOWS TYPICAL PARTS ONLY. ORDER BY PART NUMBER. PARTS NOT LISTED ARE SUPPLIED BY OEM.



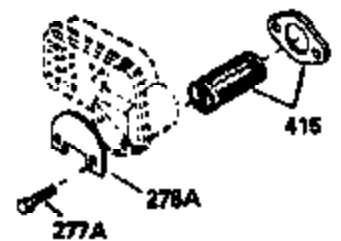
STD. POINT



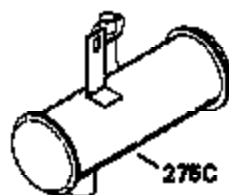
OPTIONAL DEBRIS SCREEN KIT



OPTIONAL STARTER MUFF KIT



OPTIONAL SPARK ARRESTOR KIT



OPTIONAL QUIET MUFFLER



OPTIONAL ADD-ON ALTERNATOR AC LIGHTING OR DC CHARGING

Ref #	Part Number	Qty	Description
103	650814		Screw, Torx T-15, 10-24 x 1"
242	33267		Bracket, Air cleaner
275C	35824		Muffler (Optional quiet muffler)
277A	650696		Screw, 5/16-18 x 2-3/4" (Used with 27 6A)
301	35355		Fuel Cap
327	35392		Plug, Starter
342	650561		Screw, 1/4-20 x 5/8"
370B	34387		Decal, Instruction Can be used on HM80 with stamped steel recoil starter.
370J	34870		Decal, Instruction Can be used on HM80 with diecast starter.
408	35570		Seal, Screen (Can be used on HM80 with stamped steel recoil starter.)
409	35569		Spacer, Screen
410	730573		Debris Screen Kit (Incl. 327, 370B, 408, 409, 411 & 413)
411	35568		Screen, Debris
413	650907		Screw, 5/16-18 x 1-5/8" (Can be used on HM80 with stamped steel recoil starter)
415	730130		Exh.Adaptor Kit (Incl.274,277)(As required)
425	730572		Starter Muff Kit (Incl. 370J, 426 & 4 27)
426	34687		Air cleaner, Starter
427	34869		Starter Air Cleaner Bracket (Optional)
429	650868		Screw, 8-18 x 1-1/8" (3 Required)
430	611077		Alternator, Add on
431	590609		Centering tube (Use with engines equipped with diecast aluminum starter)
431	590610		Centering tube
432	611078		A.C. Lighting Connector
432	611079		D.C. Charging Connector
433	590611		Alternator Shaft (4.00") (Use with engines equipped with diecast aluminum starter)
433	590636		Alternator Shaft (Use with engines equipped with stamped steel starter) (Use as required) (Refer to Mechanic's Handbook for installation instructions).