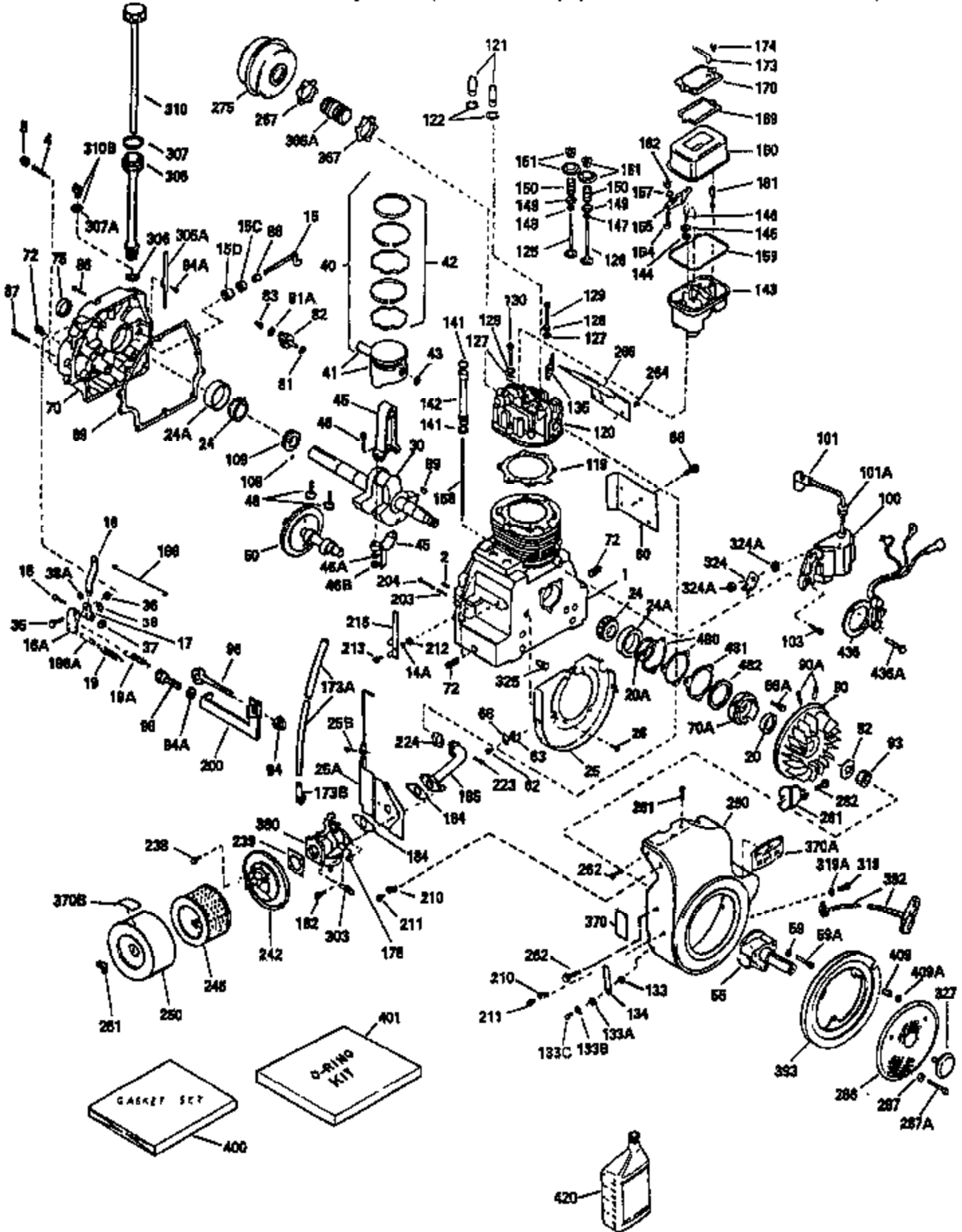


VIEW 1 of 3 ... this illustration may not depict actual equipment and is for reference only!



## Engine Parts List #1

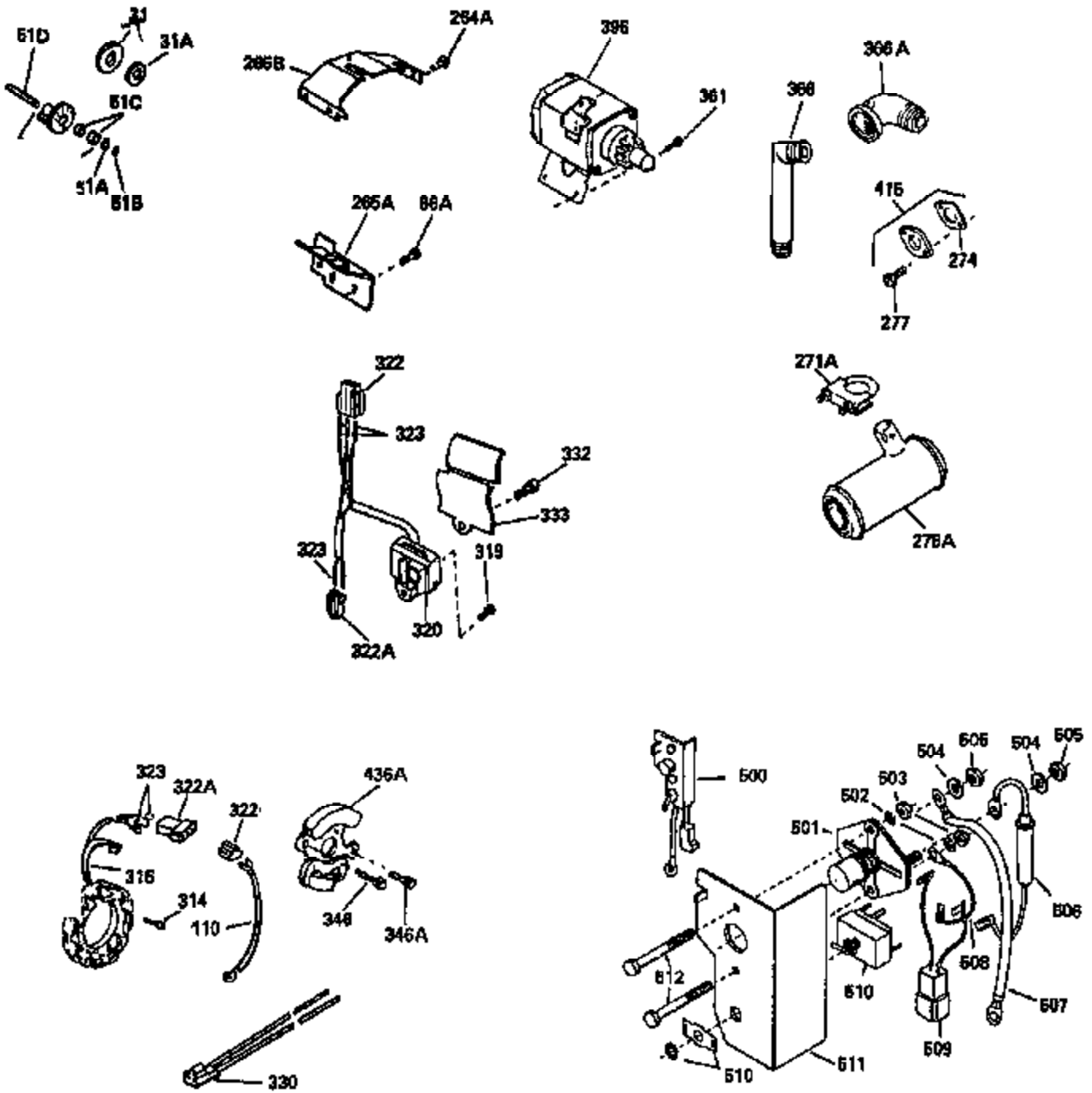
Ref #	Part Number	Qty	Description
	1 33039A	1	Cylinder (Incl. 2, 72, 75, & 80)
	2 27652	2	Dowel Pin
	3 650797	1	Screw, 5/16-18 x 1/2"
14A	28558	1	Washer
15	32425	1	Governor Rod
16B	31965	1	Governor Spring Plate
16	31963	1	Governor Lever
17	31964	1	Governor Lever Clamp
18	650544	1	Screw, Torx T-25, 10-24 x 7/8"
19A	33099	1	Control Spring
19	31967	1	Extension Spring
20A	32599	1	"O" Ring
24A	31928	2	Bearing Cup
24	31932	2	Tapered Bearing
25B	650451	2	Screw, 1/4-20 x 1"
25	32579	1	Blower Housing Baffle
25A	34061	1	Air Baffle
	26 650561	3	Screw, 1/4-20 x 5/8"
30	33391B	1	Crankshaft
35	30312	1	Screw, 10-32 x 1/2"
37	7975	1	Lock Nut, 10-24
38A	650518	1	Washer
40	34508	1	Piston, Pin & Ring Set (Std.)
40	34509	1	Piston, Pin & Ring Set (.010" OS)
40	34510	1	Piston, Pin & Ring Set (.020" OS)
40	34850	1	Piston, Pin & Ring Set (.030" OS)
40	34523	1	Piston, Pin & Ring Set (.040" OS)
41	32001C	1	Piston & Pin Ass'y. (Std.) (Incl. 43)
41	32002B	1	Piston & Pin Ass'y. (.010" OS) (Incl. 43)
41	32003B	1	Piston & Pin Ass'y. (.020" OS) (Incl. 43)
41	32619B	1	Piston & Pin Ass'y. (.030" OS) (Incl. 43)
41	32620B	1	Piston & Pin Ass'y. (.040" OS) (Incl. 43)
42	32004	1	Ring Set (Std.)
42	32005	1	Ring Set (.010" OS)
42	32006	1	Ring Set (.020" OS)
42	32623	1	Ring Set (.030" OS)
42	32624	1	Ring Set (.040" OS)
43	31919	2	Piston Pin Retaining Ring
45	33093A	1	Connecting Rod Ass'y.(Std.) (Incl.46- 46B)
45	34383	1	Connecting Rod Ass'y.(.010" US)(Incl. 46-46B)
45	34384	1	Connecting Rod Ass'y.(.020" US)(Incl. 46-46B)
46	32077	2	Connecting Rod Bolt
46A	26073	2	Washer
46B	28264	2	Nut
48	31939	2	Valve Lifter
50	34693	1	Camshaft (MCR)
60	31976	1	Blower Housing Extension
62	650760	1	Screw, 8-32 x 3/8"
65	650128	1	Screw, 10-24 x 1/2"
65A	28537	1	Washer
68	33356	1	Ground Terminal
69	31956B	1	* Cylinder Cover Gasket
70A	32577	1	Cylinder Cover (See Ref. # 480 - 482)
70	32580A	1	Cylinder Cover (Incl.15,72,75,84,88)
72A	28534	1	Oil Drain Plug
72	31927	2	Oil Drain Plug
75	31950	2	Oil Seal
80	31930	1	Governor Shaft

## Engine Parts List #1

Ref #	Part Number	Qty	Description
81	30590A	2	Washer
82	34691	1	Governor Gear Ass'y. (Incl. 81)
83	35322	1	Governor Spool
84	29193	2	Retaining Ring
86A	792028	3	Screw, 5/16-18 x 7/8"
86	650588	1	Screw, 1/4-20 x 2"
87	650451	8	Screw, 1/4-20 x 1"
88	32426	1	Spacer
89	650592	1	Flywheel Key
90A	730201	1	Trigger Pin Kit
90	610901	1	Flywheel (Incl. 90A)
92	650666	1	Lock Washer
93	650594	1	Flywheel Nut
100	610906	1	Solid State Ignition
101	610118	1	Spark Plug Cover
103	650661	2	Screw, 1/4-20 x 3/4"
108	29783	1	Crankshaft Pin
109	34692	1	Crankshaft Gear
119	32000B	1	* Cylinder Head Gasket
120	33034	1	Cylinder Head
125	31942	1	Exhaust Valve (Std.)
125	31943	1	Exhaust Valve (1/32" OS)
126	31940	1	Intake Valve (Std.)
126	31941	1	Intake Valve (1/32" OS)
127	650691	9	Washer
128	650690	9	Belleville Washer
129	650711	7	Screw, 5/16-18 x 1-5/8"
130	650714	2	Screw, 5/16-18 x 1-5/8"
133A	26073	2	Washer
135	33636	1	Resistor Spark Plug (J8C/356)
149A	31946	2	Valve Spring Cap (1/32" OS Stem)
149	31945	2	Valve Spring Cap
149C	20810	2	Valve Pin
150	31944	2	Valve Spring
169	31958A	1	* Valve Cover Gasket
170	31957A	1	Breather Body
173	35350	1	Breather Tube
174	650128	2	Screw, 10-24 x 1/2"
183	31990	1	Choke Bracket
184	33263	2	* Carburetor To Intake Pipe Gasket
186	31968	1	Governor Link
204	650591	1	Screw, 10-24 x 2"
210	27793	2	Conduit Clip
211	28942	2	Screw, 10-32 x 3/8"
212	31966	1	Bushing
213	650597	1	Screw, 10-24 x 5/8"
216	31984A	1	R.P.M. Adjusting Lever
238	650399	2	Screw, 10-32 x 5/8"
239	27272A	1	* Air Cleaner Gasket
242	34065	1	Air Cleaner Bracket
242A	32907B	1	Air Cleaner Bracket
245	32008	1	Air Cleaner Filter
246	30767	1	Spacer
250	32810	1	Air Cleaner Cover
251	650513	1	Wing Nut, 1/4-20
260	33044A	1	Blower Housing
261	650713	1	Screw, 5/16-18 x 5/8"
264	650128	2	Screw, 10-24 x 1/2"

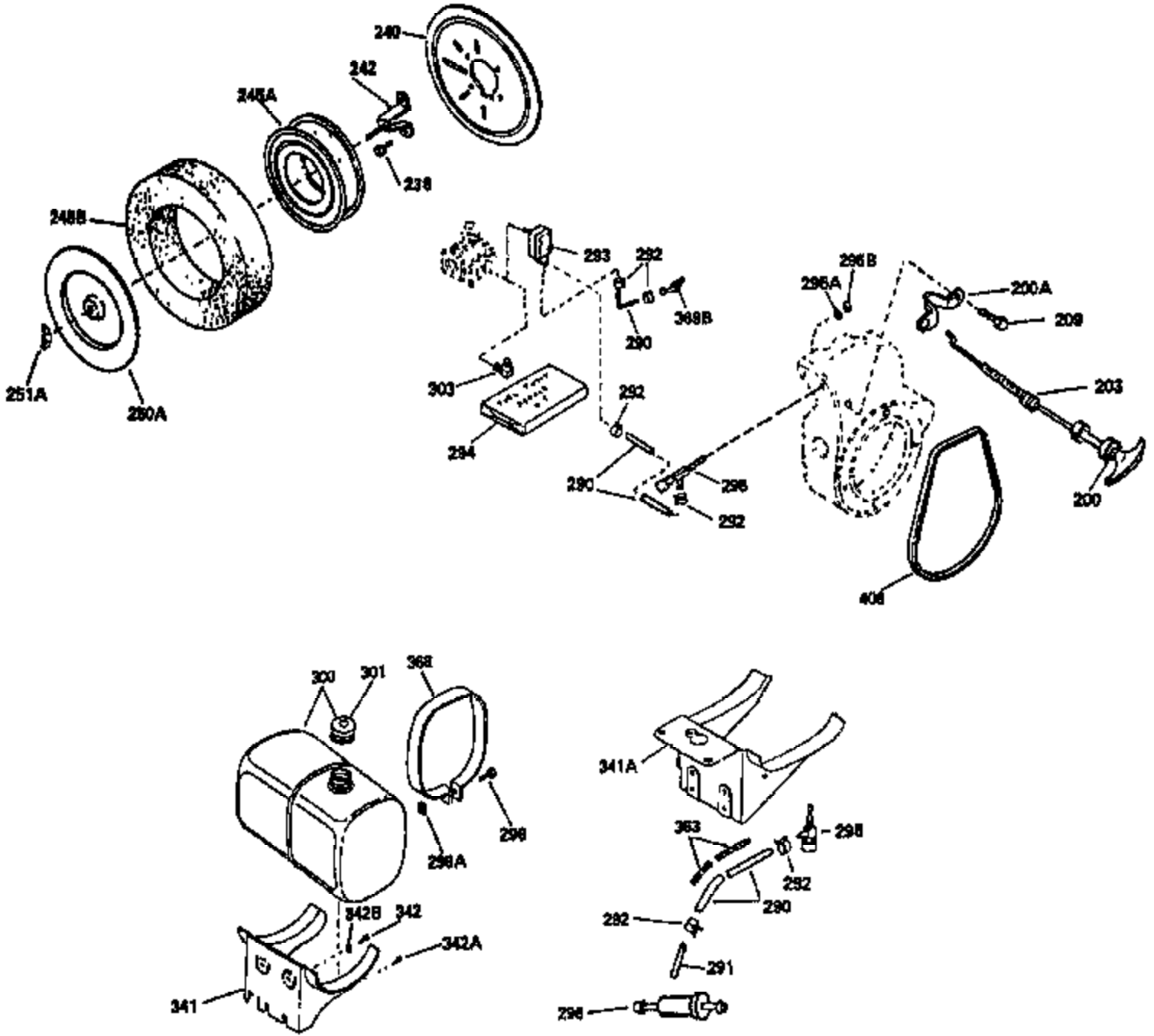
Ref #	Part Number	Qty	Description
265	33035	1	Cylinder Head Cover
275	32043B	1	Muffler
286	33776	1	Starter Screen
287	650680	3	Screw, 1/4-20 x 1-1/2"
298D	26073	1	Washer
298C	8274	1	Washer
298B	650713	1	Screw, 5/16-18 x 5/8"
298A	650456	2	Lock Nut, 1/4-20
305	35574	1	Oil Fill Tube
307	35499	1	"O" Ring
310	35599	1	Dipstick
319	650595	2	Screw, 5/16-24 x 3/8"
319	651026	1	Screw, 1/4-20 x 1/2"
319A	8274	2	Lock Washer
355	590701	1	Starter Handle
366A	32042	1	Muffler Nipple
370B	35274	1	Instruction Decal
370	36261	1	Instruction Decal
370A	35532	1	Logo Decal
380	632424	1	Carburetor (Incl. 184)
392	32046	1	Starter Rope
393	31980	1	Starter Pulley
400	33237B	1	* Gasket Set (Incl. items marked PK i n notes) Incl. part #'s 27272A (2), 29673 (1), 31923 (1), 31956B (1), 31958A (1), 31960A (3), 31971 (2), 31972 (1), 32000B (1), 32246B (1), 33263 (2)
409	31992	3	Spacer
409A	27070	3	Washer
420	730225	1	SAE 30 4-Cycle Engine Oil (Quart)
480	31971	1	* Shim Gasket (.004/.005) (See Repair M anual)
481	31972	1	* Shim Gasket (.005/.007) (See Repair M anual)
482	32031	1	Steel Spacer (.010) (See Repair Manua l)

**VIEW 2 of 3 ... this illustration may not depict actual equipment and is for reference only!**



Ref #	Part Number	Qty	Description
3	650797	1	Screw, 5/16-18 x 1/2"
16B	31965	1	Governor Spring Plate
65A	28537	1	Washer
65	650128	1	Screw, 10-24 x 1/2"
72A	28534	1	Oil Drain Plug
80	31930	1	Governor Shaft
84	29193	2	Retaining Ring
88	32426	1	Spacer
135	33636	1	Resistor Spark Plug (J8C/356)
149C	20810	2	Valve Pin
149A	31946	2	Valve Spring Cap (1/32" OS Stem)
183	31990	1	Choke Bracket
242A	32907B	1	Air Cleaner Bracket
246	30767	1	Spacer
251	650513	1	Wing Nut, 1/4-20
265	33035	1	Cylinder Head Cover
298D	26073	1	Washer
298C	8274	1	Washer
298B	650713	1	Screw, 5/16-18 x 5/8"
298A	650456	2	Lock Nut, 1/4-20
305	35574	1	Oil Fill Tube
314	650521	2	Screw, 10-32 x 1-1/8"
315	611214	1	Alternator Coil (20 Amp)(Incl. 322 - 323)
319	650595	2	Screw, 5/16-24 x 3/8"
319	651026	1	Screw, 1/4-20 x 1/2"
320	611215	1	Regulator (20 Amp)
322	610824	1	Connector Body
322A	610921	1	Connector Body
323	610922	1	Terminal
355	590701	1	Starter Handle
361	650781	2	Screw, 5/16-18 x 11/16"
366A	32042	1	Muffler Nipple
395	33835	1	Electric Starter Motor (12 Volt)

**VIEW 3 of 3 ... this illustration may not depict actual equipment and is for reference only!**



Ref #	Part Number	Qty	Description
3	650797	1	Screw, 5/16-18 x 1/2"
16B	31965	1	Governor Spring Plate
65	650128	1	Screw, 10-24 x 1/2"
65A	28537	1	Washer
72A	28534	1	Oil Drain Plug
80	31930	1	Governor Shaft
84	29193	2	Retaining Ring
88	32426	1	Spacer
135	33636	1	Resistor Spark Plug (J8C/356)
149A	31946	2	Valve Spring Cap (1/32" OS Stem)
149C	20810	2	Valve Pin
183	31990	1	Choke Bracket
238	650399	2	Screw, 10-32 x 5/8"
242	34065	1	Air Cleaner Bracket
242A	32907B	1	Air Cleaner Bracket
246	30767	1	Spacer
251	650513	1	Wing Nut, 1/4-20
265	33035	1	Cylinder Head Cover
290	30705	1	Fuel Line
292	26460	2	Fuel Line Clamp
295	29683	1	Fuel Shut Off Valve
298A	650456	2	Lock Nut, 1/4-20
298C	8274	1	Washer
298D	26073	1	Washer
298	650451	2	Screw, 1/4-20 x 1"
298B	650713	1	Screw, 5/16-18 x 5/8"
300	31977	1	Fuel Tank
305	35574	1	Oil Fill Tube
341	31978	1	Fuel Tank Bracket
342	650561	2	Screw, 1/4-20 x 5/8"
355	590701	1	Starter Handle
368	31979	2	Fuel Tank Strap