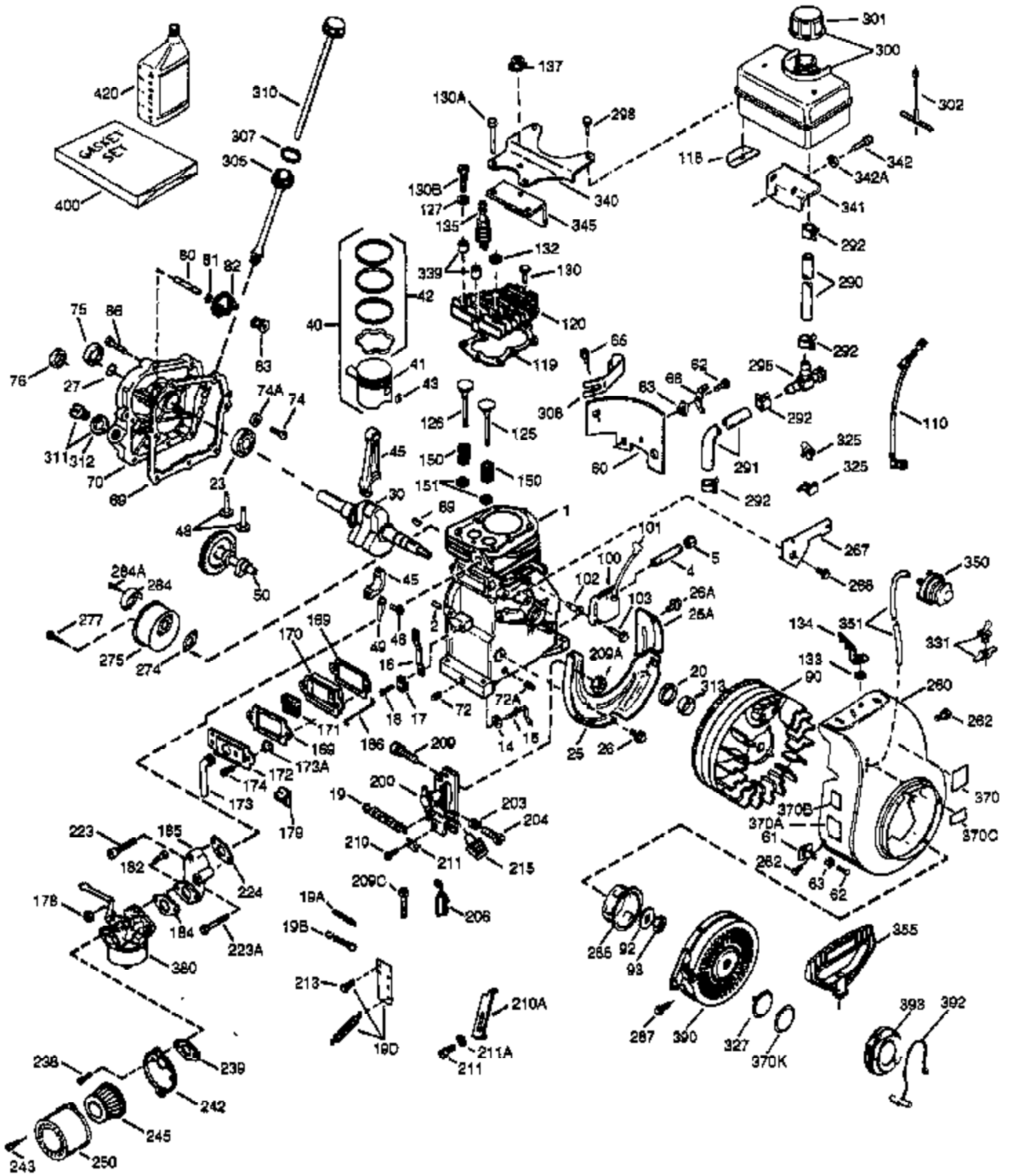


ILLUSTRATION SHOWS TYPICAL PARTS ONLY. ORDER BY PART NUMBER. PARTS NOT LISTED ARE SUPPLIED BY OEM.

VIEW 1 OF 2



Engine Parts List #1

Ref #	Part Number	Qty	Description
	1 36591	1	Cylinder (Incl. 2,20,72 & 125)
	2 26727	2	Dowel Pin
	14 28277	1	Washer
	15 31334	1	Governor Rod
	16 31336	1	Governor Lever
	17 31335	1	Governor Lever Clamp
	18 651018	1	Screw, Torx T-15, 8-32 x 19/64"
	19 34593	1	Extension Spring
	20 32600	1	Oil Seal
	25A 35883	1	Baffle Extension
	25 36552	1	Blower Housing Baffle (Incl. 262)
	26 650802	2	Screw, 1/4-20 x 5/8"
	26A 650926	1	Screw, 8-32 x 21/64"
	30 34709	1	Crankshaft
	40 40020	1	Piston, Pin & Ring Set (Std.)
	40 40021	1	Piston, Pin & Ring Set (.010" OS)
	41 40018	1	Piston & Pin Ass'y (Std.) (Incl. 43)
	41 40019	1	Piston & Pin Ass'y (.010" OS) (Incl. 43)
	42 40022	1	Ring Set (Std.)
	42 40023	1	Ring Set (.010" OS)
	43 20381	2	Piston Pin Retaining Ring
	45 30963B	1	Connecting Rod Ass'y (Incl. 46 & 49)
	46 32610A	2	Connecting Rod Bolt
	48 27241	2	Valve Lifter
	49 28594	1	Oil Dipper
	50 32197A	1	Camshaft (MCR)
	60 29745	1	Blower Housing Extension
	65 650128	1	Screw, 10-24 x 1/2"
	69 27677A	1	* Cylinder Cover Gasket
	70 34683B	1	Cylinder Cover (Incl. 75 thru 83,311)
	72 27642	2	Oil Drain Plug
	75 26208	1	Oil Seal
	80 30574A	1	Governor Shaft
	81 30590A	1	Washer
	82 30591	1	Governor Gear Ass'y (Incl. 81)
	83 30588A	1	Governor Spool
	86 650488	7	Screw, 1/4-20 x 1-1/4"
	89 610961	1	Flywheel Key
	90 611195	1	Flywheel
	92 650815	1	Belleville Washer
	93 650816	1	Flywheel Nut
	100 34443A	1	Solid State Ignition
	101 610118	1	Spark Plug Cover
	102 650872	2	Solid State Mounting Stud
	103 651007	2	Screw, Torx T-15, 10-24 x 15/16"
	110 35182	1	Ground Wire
	119 36437	1	* Cylinder Head Gasket
	120 36438	1	Cylinder Head (Incl. 130)
	125 36471	1	Exhaust Valve (Std.) (Incl. 151)
	125 36472	1	Exhaust Valve (1/32" OS) (Incl. 151)
	126 29314B	1	Intake Valve (Std.) (Incl. 151)
	126 29315C	1	Intake Valve (1/32" OS) (Incl. 151)
	127 650691	1	Washer
	130B 650865	1	Screw, 5/16-18 x 2"
	130A 6021A	1	Screw, 5/16-18 x 1-1/2"
	130 650694A	7	Screw, 5/16-18 x 2"
	132 650708	1	Washer
	135 33636	1	Resistor Spark Plug (RJ17LM)

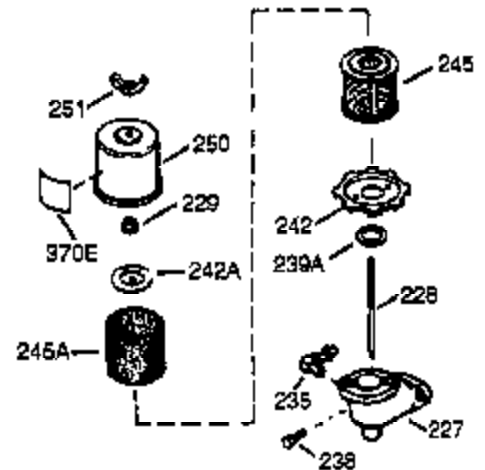
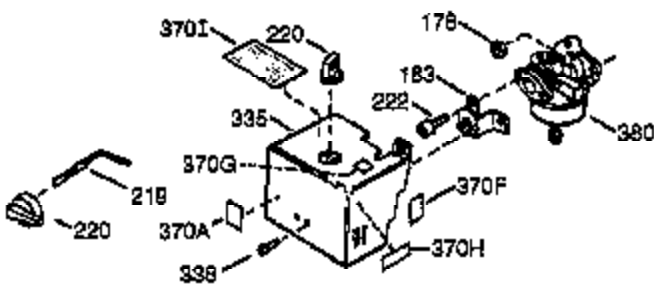
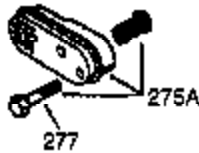
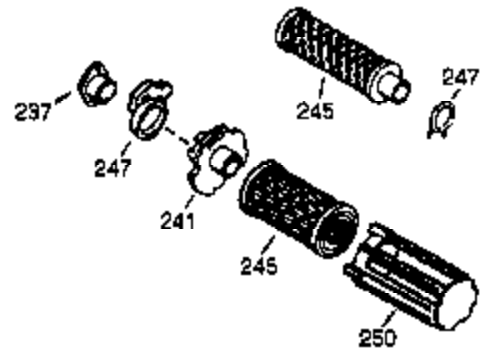
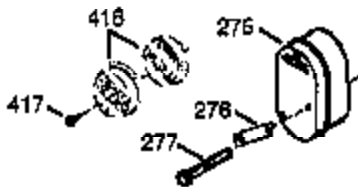
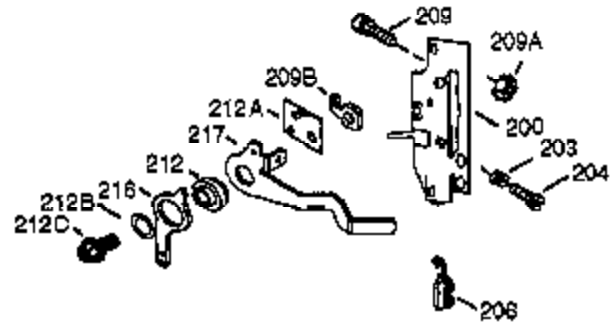
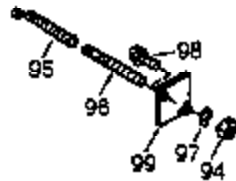
Engine Parts List #1

Ref #	Part Number	Qty	Description
150	31672	2	Valve Spring
151	31673	2	Valve Spring Cap
169	27234A	2	* Valve Cover Gasket
170	27666	1	Breather Body
171	31410	1	Breather Element
172	34146	1	Valve Cover
173	32447	1	Breather Tube
173A	32446	1	Breather Tube Grommet
174	30200	2	Screw, 10-24 x 9/16"
178	29752	2	Nut & Lock Washer, 1/4-28
179	30593	1	Retainer Clip
182	6201	2	Screw, 1/4-28 x 7/8"
184	26756	1	* Carburetor To Intake Pipe Gasket
185	36703	1	Intake Pipe (Incl. 182,184,224)
186	31341	1	Governor Link
200	36677	1	Control Bracket (Incl. 203 thru 209B & 212 thru 217)
203	31342	1	Compression Spring
204	651029	1	Screw, 5-40 x 7/16"
206	610973	1	Terminal
209A	30322	2	Lock Nut, 8-32
209	650139	2	Screw, 8-32 x 1/2"
215	32410	1	Control Knob
223	650451	2	Screw, 1/4-20 x 1"
224	26754A	1	* Intake Pipe Gasket
238	650152	2	Screw, 8-32 x 3/8"
239	27272A	1	* Air Cleaner Gasket
242	31914	1	Air Cleaner Base
243	28820	2	Screw, 10-32 x 1/2"
245	30727	1	Air Cleaner Filter
250	31715	1	Air Cleaner Cover
260	35585	1	Blower Housing
262	650737	2	Screw, 1/4-20 x 1/2"
275	40000	1	Muffler (Incl. 277)(Catalyst)
277	650988	2	Screw, 1/4-20 x 2-5/16"
285	36467A	1	Starter Cup
287	650926	2	Screw, 8-32 x 21/64"
290	29774	1	Fuel Line
292	26460	2	Fuel Line Clamp
298	650665	2	Screw, 1/4-15 x 7/8"
300	35591	1	Fuel Tank (Incl. 292 & 301)
301	36246	1	Fuel Cap
305	35560	1	Oil Fill Tube
307	35499	1	"O"-Ring
308	35539	1	Fill Tube Clip
310	35561	1	Dipstick
313	34080	1	Spacer
339	28212	2	Spacer
340	35926	1	Fuel Tank Bracket
342	650751	1	Screw, 1/4-20 x 7/16"
345	32664	1	Baffle Heat
370B	35703	1	Control Decal
370A	36261	1	Lubrication Decal
370	34686	1	Name Decal
370K	36695	1	Starter Decal
380	640063	1	Carburetor (Incl. 184)

Ref #	Part Number	Qty	Description
390	590732	1	Rewind Starter (NOTE: This engine could have been built with 590738 starter. Refer to the design of the rope pulley strength ribs for part identification. Individual starter parts do not interchange. Refer to service bulletin 116).
400	36439	1	* Gasket Set (Incl. items marked PK in notes) Incl. part #'s 26754A (1), 26756 (1), 27234A (2), 27272A (1), 27677A (1), 29673 (2), 30081A (1), 31688A (2), 36437 (1)
420	730225	1	SAE 30 4-Cycle Engine Oil (Quart)

ILLUSTRATION SHOWS TYPICAL PARTS ONLY. ORDER BY PART NUMBER. PARTS NOT LISTED ARE SUPPLIED BY OEM.

VIEW 2 OF 2



OPTIONAL 110 - 120 VOLT
STARTER MOTOR KIT



396

Engine Parts List #2

Ref #	Part Number	Qty	Description
16	31336	1	Governor Lever
17	31335	1	Governor Lever Clamp
18	651018	1	Screw, Torx T-15, 8-32 x 19/64"
178	29752	2	Nut & Lock Washer, 1/4-28
200	36677	1	Control Bracket (Incl. 203 thru 209B & 212 thru 217)
203	31342	1	Compression Spring
204	651029	1	Screw, 5-40 x 7/16"
206	610973	1	Terminal
209B	36691	1	Lock Nut
209A	30322	2	Lock Nut, 8-32
209	650139	2	Screw, 8-32 x 1/2"
212	36689	1	Speed Control Lever Bushing
212B	650583	1	Washer
212C	650953	1	Screw, 10-32 x 1/2"
212A	36688	1	Bearing Plate
216	36690	1	R.P.M. Adjusting Lever
217	36687	1	Speed Control Lever
238	650152	2	Screw, 8-32 x 3/8"
242	31914	1	Air Cleaner Base
245	30727	1	Air Cleaner Filter
250	31715	1	Air Cleaner Cover
275	40000	1	Muffler (Incl. 277)(Catalyst)
277	650988	2	Screw, 1/4-20 x 2-5/16"
370A	36261	1	Lubrication Decal
380	640063	1	Carburetor (Incl. 184)
416	36085	1	Spark Arrestor Kit (Incl. 417)(Optional)
417	650760	1	Screw, 8-32 x 3/8" (Optional)