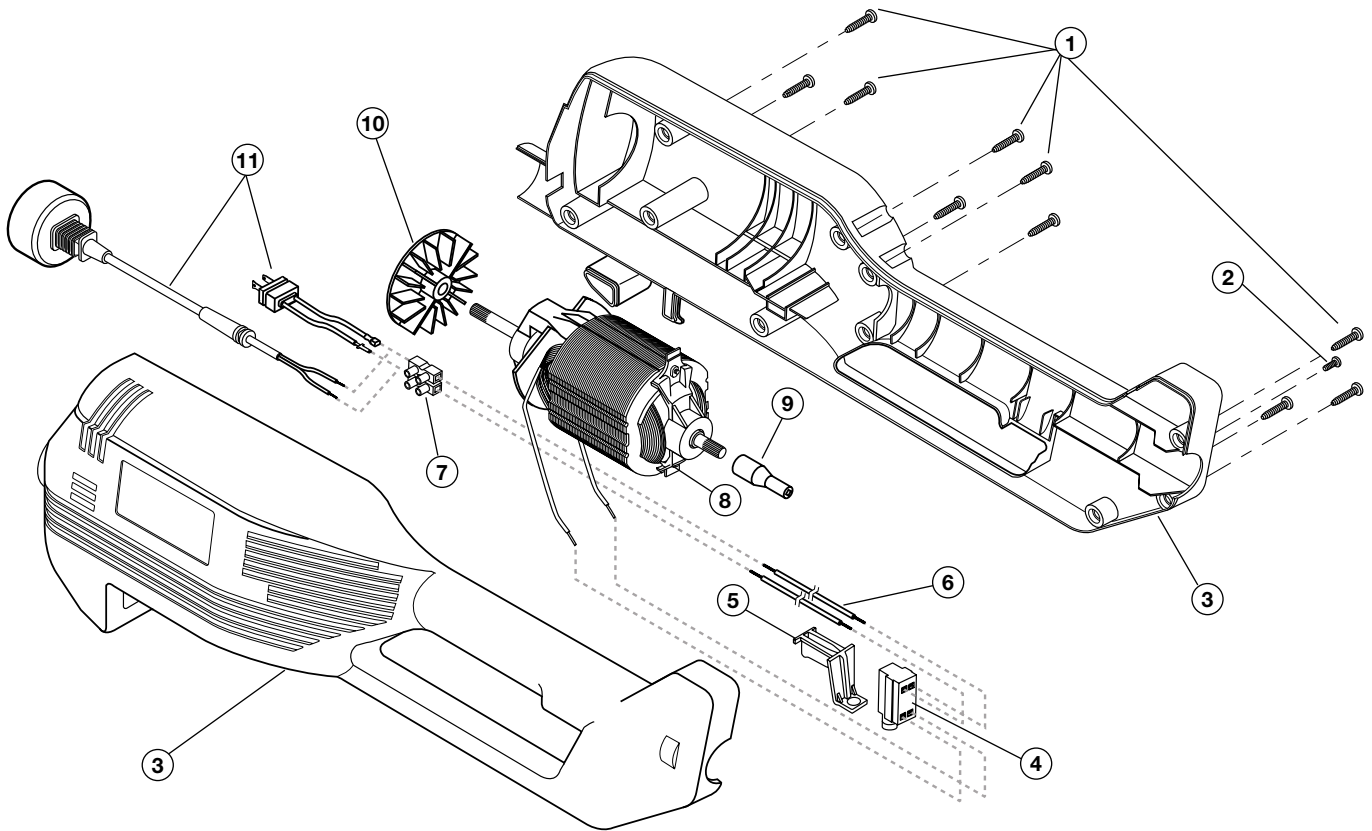


**MOTOR AND HOUSING PARTS—MODEL 105r  
120 VOLT ELECTRIC TRIMMER**

(Serial Number 512000001 – 707000000)  
(Serial Number 707000001 and greater)

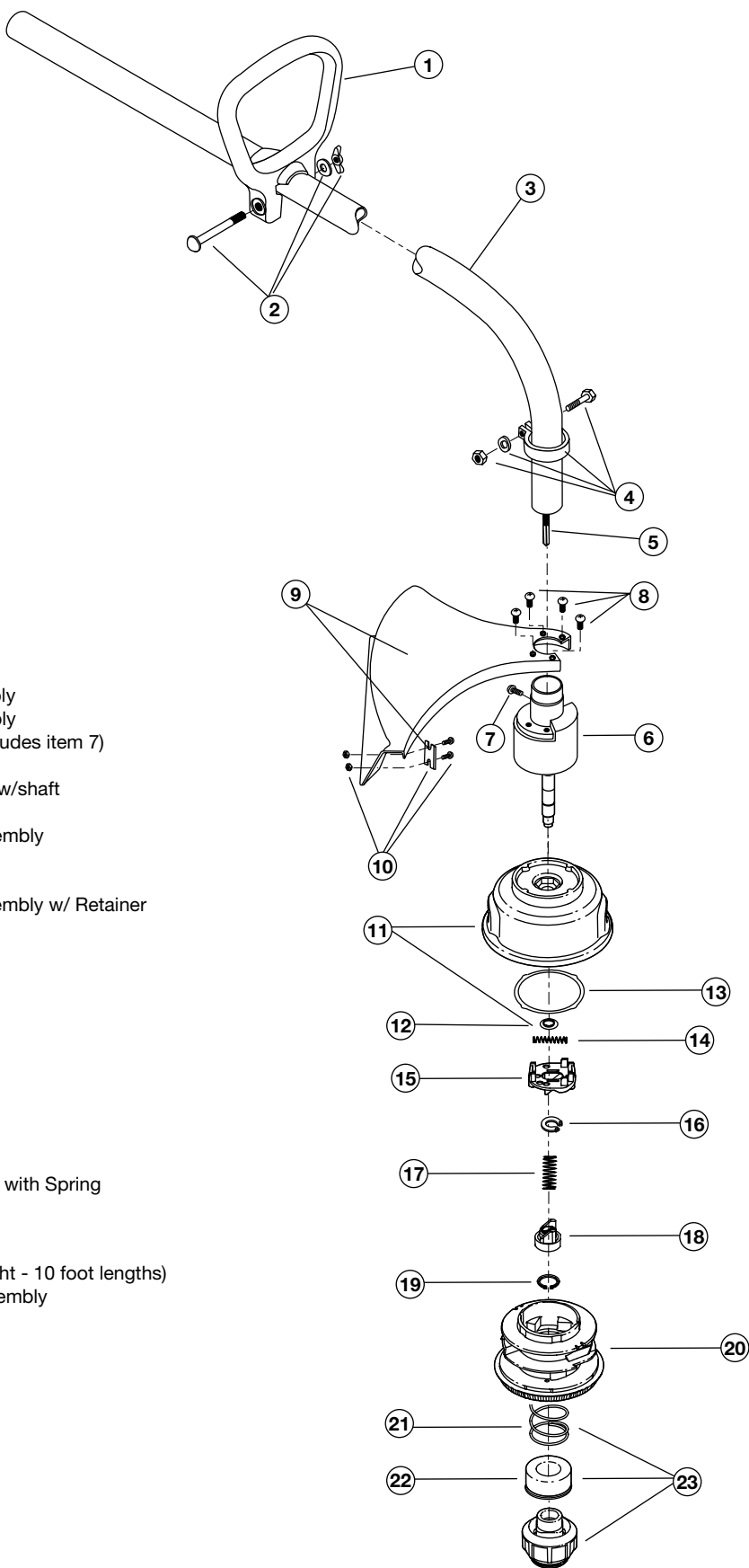


Item	Part No.	Description
1	180300	Screw, Housing Set (Qty. 11)
2	145569	Anti-Rotation Screw
3	180558	Motor Housing Assembly (Serial Number 512000001 – 707000000)
3	181859	Motor Housing Assembly (Serial Number 707000001 and greater)
4	180150	Switch
5	180151	Trigger
6	180559	Lead Wires
7	180305	Terminal Block
8	180153	Motor Assembly (includes 9 & 10)
9	180152	Driver
10	180155	Cooling Fan
11	180156	Power Cord Assembly (Serial Number 512000001 – 707000000)
11	181645	Recessed Plug Assembly (Serial Number 707000001 and greater)

**BOOM AND TRIMMER PARTS - MODEL 105r**

**120 VOLT ELECTRIC TRIMMER**

(Serial Number 512000001 and greater)



Item	Part No.	Description
1	145819	D-Handle
2	181587	D-Handle Hardware Assembly
3	180560	Drive Shaft Housing Assembly
4	153597	Lower Clamp Assembly (includes item 7)
5	180561	Flexible Drive Shaft
6	181857	Bushing Housing Assembly w/shaft
7	145569	Anti-Rotation Screw
8	180531	Guard Mounting Screw Assembly
9	683274	Guard and Blade Assembly
10	682061	Blade Assembly
11	181457	Outer Spool and Eyelet Assembly w/ Retainer
12	181458	Retainer
13	181561	Thrust Washer
14	181459	Small Spring
15	181461	Slider
16	181532	E-Clip
17	181531	Spring
18	181462	Plunger
19	181463	C-Clip
20	181464	Inner Reel
21	181465	Large Spring
22	181467	Foam Seal
23	181468	Bump Head Knob Assembly with Spring and Foam Seal

**Optional Accessories**

- \* 181473 .065" Replacement Line (Eight - 10 foot lengths)
- \* 181669 Complete Cutting Head Assembly (includes 4, 6, 7, 11-23)
- \* 181471 Reel and Line Assembly
- \* not shown