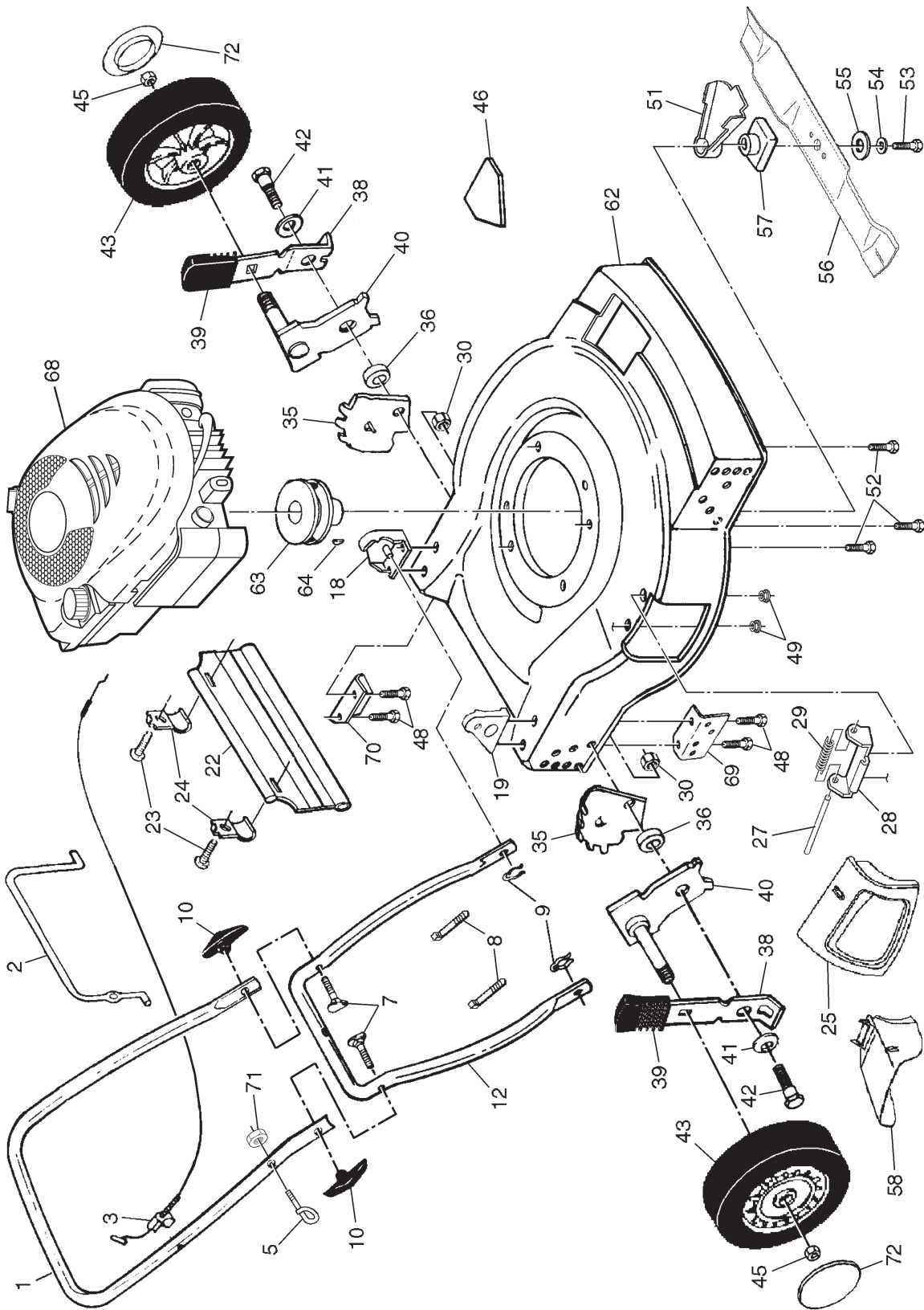


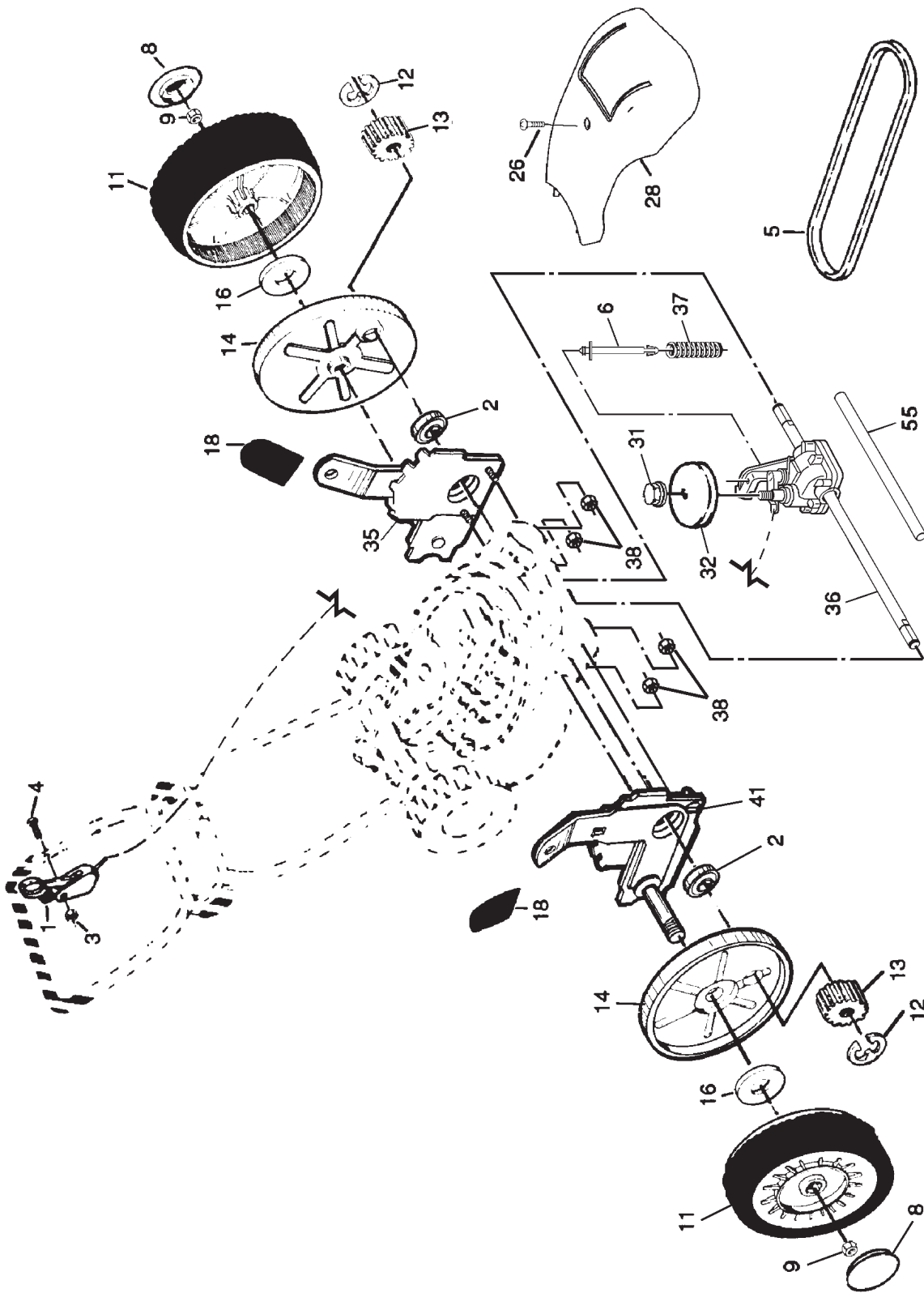
ROTARY LAWN MOWER -- MODEL NUMBER WM55Y22SA



ROTARY LAWN MOWER - - MODEL NUMBER WM55Y22SA

| KEY NO. | PART NO. | DESCRIPTION | KEY NO. | PART NO. | DESCRIPTION |
|---------|------------|-------------------------------------|---|------------|---|
| 1 | 166860X479 | Upper Handle | 49 | 73800400 | Locknut, Hex |
| 2 | 146771 | Control Bar | 51 | 182002 | Debris Shield |
| 3 | 156581 | Engine Zone Control Cable | 52 | 150406 | Screw, Hex Head, Threaded, Rolled 3/8-16 x 1-1/8 |
| 5 | 179585 | Rope Guide | 53 | 851084 | Screw, Hex Head 3/8-24 x 1-3/8 (Grade 8) |
| 7 | 131959 | Handle Bolt | 54 | 850263 | Washer, Lock, Helical |
| 8 | 66426 | Wire Tie | 55 | 851074 | Washer, Hardened |
| 9 | 51793 | Hairpin Cotter | 56 | 152202 | Blade, 22" |
| 10 | 136376 | Handle Knob | 57 | 184590 | Adapter, Blade |
| 12 | 151590X479 | Lower Handle | 58 | 176509 | Deflector, Discharge |
| 18 | 170346X479 | Handle Bracket Assembly (Left) | 62 | 189225 | Lawn Mower Housing (Includes Key Number 46) |
| 19 | 170345X479 | Handle Bracket Assembly (Right) | 63 | 184941 | Pulley, Engine |
| 22 | 189008 | Rear Deflector | 64 | 187723 | Hi-Pro Key |
| 23 | 750097 | Screw, Hex Washer Head #10-24 x 1/2 | 68 | - - - | Engine, Briggs & Stratton, Model Number 123K02 (for engine service and replacement parts, call Briggs & Stratton at 1-800-233-3723) |
| 24 | 87584X004 | Bracket, Deflector | 69 | 153350X479 | Support Bracket, Handle, RH |
| 25 | 151889 | Discharge Guard | 70 | 153282X479 | Support Bracket, Handle, LH |
| 27 | 147286 | Rod, Hinge | 71 | 132004 | Locknut, Keps |
| 28 | 154132 | Bracket, Housing | 72 | 77400 | Hubcap |
| 29 | 152124 | Spring, Torsion | - - | 161058 | Warning Decal (Not Shown) |
| 30 | 751592 | Locknut, Hex | - - | 172787 | Operator's Manual, English |
| 35 | 700325X007 | Bracket, Wheel Adjuster | - - | 172789 | Operator's Manual, Spanish |
| 36 | 146630 | Spacer | - - | 189224 | Repair Parts Manual |
| 38 | 700331X004 | Spring, Selector | Available accessories not included with lawn mower: | | |
| 39 | 87877 | Knob, Selector | 71 | 33072 | Grass Catcher |
| 40 | 145935X004 | Axle Arm Assembly | NOTE: All component dimensions given in U.S. inches. 1 inch = 25.4 mm | | |
| 41 | 62335 | Belleville Washer | | | |
| 42 | 142748 | Shoulder Bolt | | | |
| 43 | 189172 | Wheel & Tire Assembly | | | |
| 45 | 83923 | Locknut, Hex 3/18-16 | | | |
| 46 | 141846 | Decal, Danger | | | |
| 48 | 149741 | Screw, Thread Cutting 5/16-18 x 3/4 | | | |

ROTARY LAWN MOWER - - MODEL NUMBER WM55Y22SA

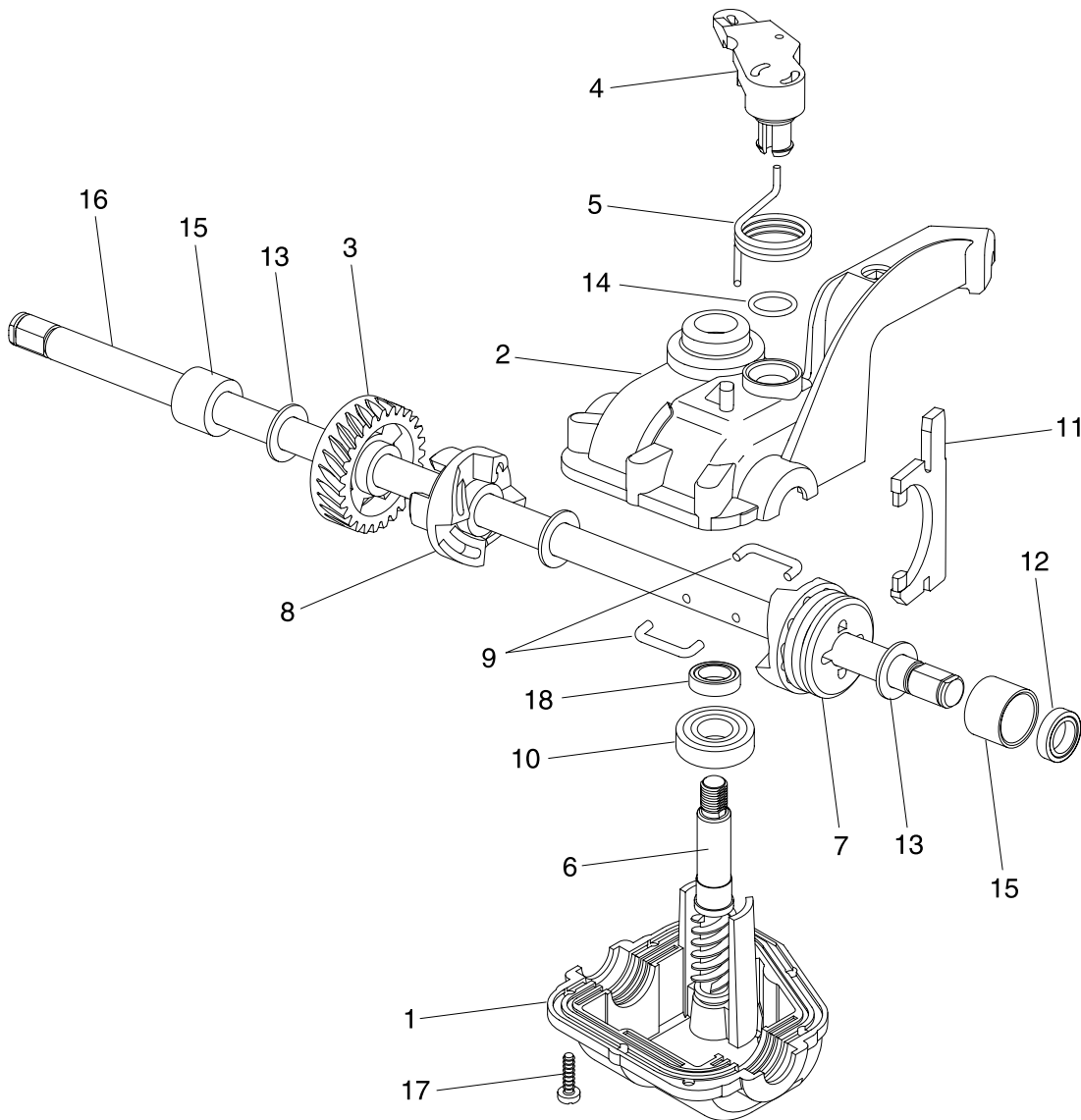


ROTARY LAWN MOWER - - MODEL NUMBER WM55Y22SA

| KEY NO. | PART NO. | DESCRIPTION | KEY NO. | PART NO. | DESCRIPTION |
|---------|----------|--|---------|----------|--|
| 1 | 184588 | Drive Control Assembly | 26 | 143603 | Screw, Tapping, Pan Head #10-24 x 2-3/4 |
| 2 | 88058 | Bearing, Wheel Adjuster | 28 | 154990 | Drive Cover |
| 3 | 751152 | Nut, Hex | 31 | 132010 | Locknut, Hex |
| 4 | 158755 | Screw, Machine, Pan Head 1/4-20 x 2-3/16 | 32 | 137052 | Pulley, Drive |
| 5 | 146527 | V-Belt | 35 | 152019 | Kit, Wheel Adjuster, LH (Includes Knob and Bearing) |
| 6 | 150495 | Bolt, Hex Head 1/4-20 x 2 | 36 | 187211 | Gear Case Assembly (See Breakdown) |
| 8 | 77400 | Hubcap | 37 | 137090 | Spring |
| 9 | 145212 | Locknut | 38 | 73800400 | Locknut |
| 11 | 189171 | Wheel & Tire Assembly | 41 | 152018 | Kit, Wheel Adjuster, RH (Includes Knob and Bearing) |
| 12 | 12000058 | E-Ring | 55 | 86012 | Drive Shaft Cover |
| 13 | 137054 | Pinion | | | |
| 14 | 180504 | Dust Cover | | | |
| 16 | 67725 | Washer | | | |
| 18 | 701037 | Knob, Selector | | | |

NOTE: All component dimensions given in U.S. inches.
1 inch = 25.4 mm

**ROTARY LAWN MOWER - - MODEL NUMBER WM55Y22SA
GEAR CASE ASSEMBLY - - PART NUMBER 187211**



| KEY NO. | PART NO. | DESCRIPTION |
|---------|----------|--------------------|
| 1 | 183497 | Case, Lower |
| 2 | 183498 | Case, Upper |
| 3 | 183499 | Gear, 27 Teeth |
| 4 | 183500 | Lever, Clutch |
| 5 | 183501 | Spring, Return |
| 6 | 183502 | Shaft, Input |
| 7 | 183503 | Dog, Movable |
| 8 | 183504 | Dog, Fixed |
| 9 | 183505 | Wire, Formed |
| 10 | 183506 | Bearing, Ball |
| 11 | 183507 | Fork, Shift |
| 12 | 183508 | Seal, Output Shaft |
| 13 | 183509 | Washer |
| 14 | 183510 | Seal, Case |
| 15 | 183511 | Bushing |
| 16 | 187521 | Shaft, Output |
| 17 | 183513 | Screw |
| 18 | 183514 | Seal, Input Shaft |

NOTE: Use Dow Corning #709 to reseal Gear Case Halves.

NOTE: All component dimensions given in U.S. inches.
1 inch = 25.4 mm