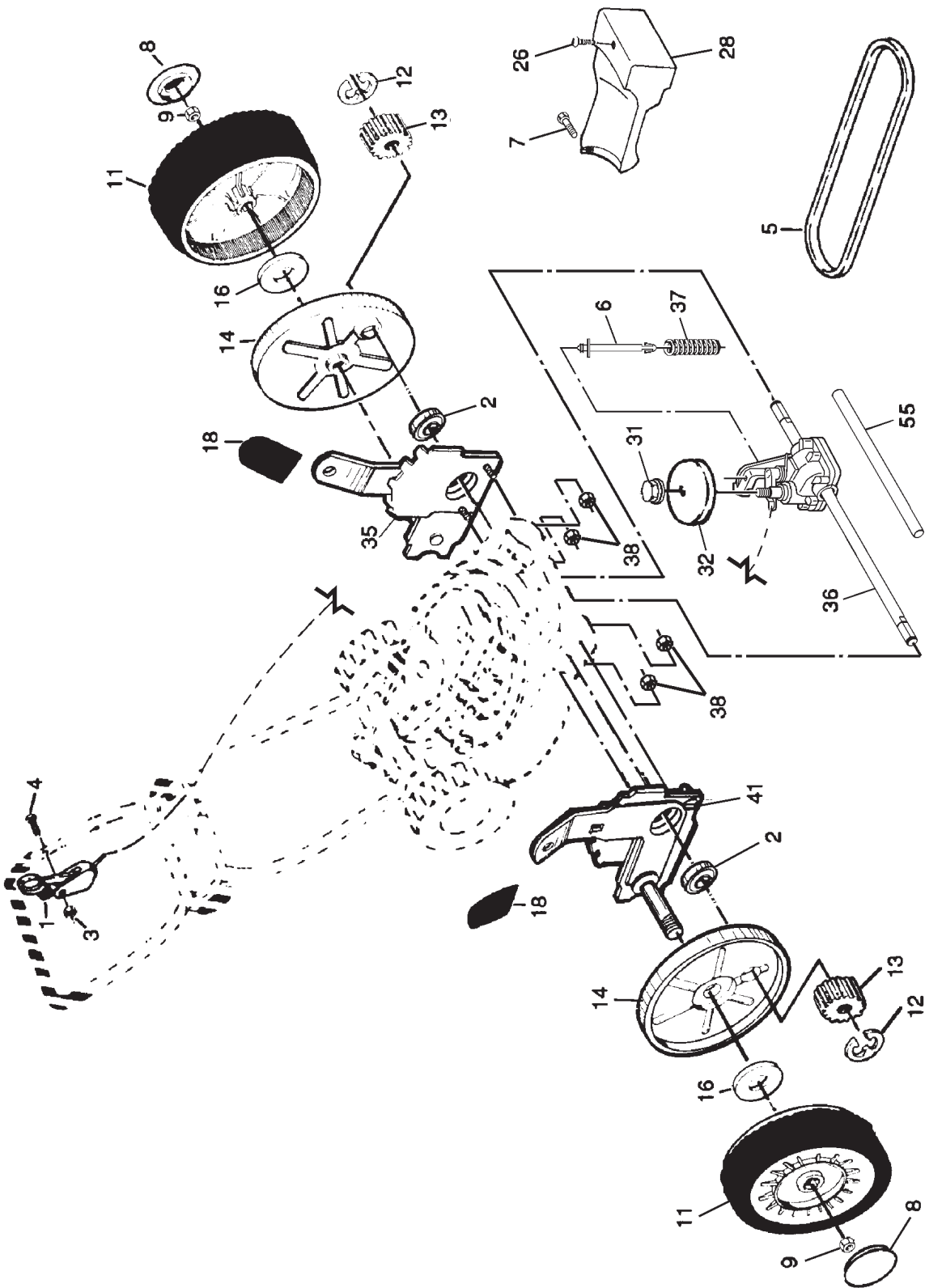




## ROTARY LAWN MOWER -- MODEL NUMBER WA45Y22SHB

KEY NO.	PART NO.	DESCRIPTION	KEY NO.	PART NO.	DESCRIPTION
1	166860X479	Upper Handle	45	83923	Locknut 3/18-16
2	146771	Control Bar	46	141846	Danger Decal
3	183575	Zone Control Cable	48	149741	Thread Cutting Screw 5/16-18 x 3/4
4	851201X004	Washer, Engine	49	<b>73800400</b>	Locknut, Hex 1/4-20
5	179585	Rope Guide	51	182002	Debris Shield
7	131959	Handle Bolt	52	150406	Hex Head Thread Rolling Screw 3/8-16 x 1-1/8
8	66426	Wire Tie	53	851084	Hex Head Screw 3/8-24 x 1-3/8 (Grd. 8)
9	51793	Hairpin Cotter	54	850263	Helical Lockwasher
10	136376	Handle Knob	55	851074	Hardened Washer
11	88348	Flat Washer 3/8	56	141114	Blade 22"
12	151590X479	Lower Handle	57	851514	Blade Adapter
16	54583	Hex Tapping Screw 1/4-20 x 1/2	62	186717	Lawn Mower Housing (Incl. Ref. #46)
17	165175X479	Support Rod	63	84596	Engine Pulley
18	170346X479	Handle Bracket Assembly (Left)	64	87677	Hi-Pro Key #HP 505
19	170345X479	Handle Bracket Assembly (Right)	68	---	Engine, Briggs & Stratton, Model Number 10G902 (Order parts from Engine Manufacturer)
22	140540	Rear Deflector	71	132004	Locknut Keps
23	750097	Hex Washer Head Screw #10-24 x 1/2	73	170031	Kit Baffle - Front
24	87584X004	Deflector Bracket	74	17600406	Screw
25	750149	Discharge Guard	75	134027X479	Rear Baffle (Not Shown)
27	147286	Hinge Rod	76	751772X479	Plate, Mulcher
28	87593	Housing Bracket	77	700644	Throttle Control
29	87589	Torsion Spring	78	<b>183365</b>	Screw
30	751592	Locknut	79	111190X	Clamp
31	700168X479	Support Bracket (Left)	80	83816	Screw
32	700166X479	Support Bracket (Right)	--	161058	Warning Decal (Not Shown)
33	74760612	Hex Head Bolt 3/8-16x3/4	--	172787	Operator's Manual, English
35	750085X007	Wheel Adjusting Bracket	--	172789	Operator's Manual, Spanish
36	146630	Spacer	--	<b>187415</b>	Repair Parts Manual
38	700331X004	Selector Spring	Available accessories not included with lawn mower:		
39	87877	Selector Knob	--	GCK5000	Grass Catcher
40	180413X004	Axle Arm Assembly	<b>NOTE:</b> All component dimensions given in U.S. inches.		
41	61651	Belleville Washer	1 inch = 25.4 mm		
42	142748	Shoulder Bolt			
43	180208	Wheel & Tire Assembly			
44	<b>188152</b>	O-Ring			

ROTARY LAWN MOWER -- MODEL NUMBER WA45Y22SHB

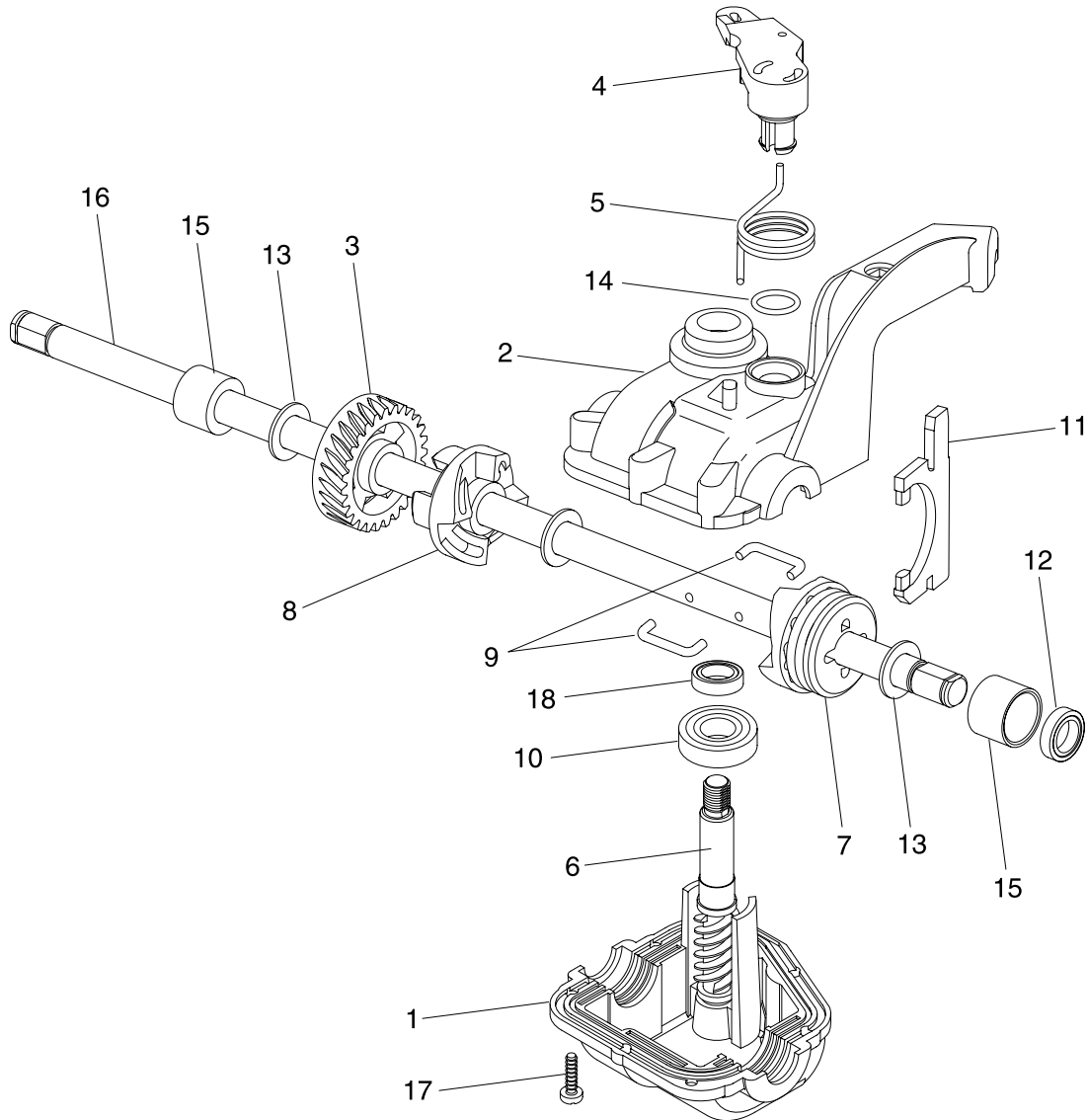


**ROTARY LAWN MOWER - - MODEL NUMBER WA45Y22SHB**

KEY NO.	PART NO.	DESCRIPTION	KEY NO.	PART NO.	DESCRIPTION
1	184588		26	143603	Pan Head Tapping Screw #10-24 x 2-3/4
2	167387	Control Cable Assembly	28	137088	Drive Cover
3	751152	Bearing, Wheel Adjuster	31	132010	Locknut
4	158755	Locknut 1/4-20	32	137052	Drive Pulley
5	146527	Screw, Hex Washer Head 1/4 x 2.0	35	152018	Kit, Wheel Adjuster, LH
6	150495	V-Belt			(Includes Knob and Bearing)
7	750097	Spring Retainer	36	<b>187211</b>	Gear Case Assembly (See Breakdown)
8	77400	Screw	37	137090	Spring
9	145212	Hubcap	38	<b>73800400</b>	Locknut, Hex 1/4-20
11	180780	Hex Flange Locknut	41	152019	Kit, Wheel Adjuster, RH
12	12000058	Wheel & Tire Assembly			(Includes Knob and Bearing)
13	137054	E-Ring	55	86012	Driveshaft Cover
14	180504	Pinion			
16	67725	Dust Cover			
18	87877	Washer 1/2 x 1-1/2 x .134			
		Selector Knob			

**NOTE:** All component dimensions given in U.S. inches.  
1 inch = 25.4 mm

## ROTARY LAWN MOWER - - MODEL NUMBER WA45Y22SHB GEARCASE ASSEMBLY - PART NUMBER 187211



KEY NO.	PART NO.	DESCRIPTION
1	183497	Case, Lower
2	183498	Case, Upper
3	183499	Gear, 27 Teeth
4	183500	Lever, Clutch
5	183501	Spring, Return
6	183502	Shaft, Input
7	183503	Dog, Movable
8	183504	Dog, Fixed
9	183505	Wire, Formed
10	183506	Bearing, Ball
11	183507	Fork, Shift
12	183508	Seal, Output Shaft
13	183509	Washer
14	183510	Seal, Case
15	183511	Bushing
16	187521	Shaft, Output
17	183513	Screw
18	183514	Seal, Input Shaft

**NOTE:** Use Dow Corning #709 to reseal Gear Case Halves.

**NOTE:** All component dimensions given in U.S. inches.  
1 inch = 25.4 mm