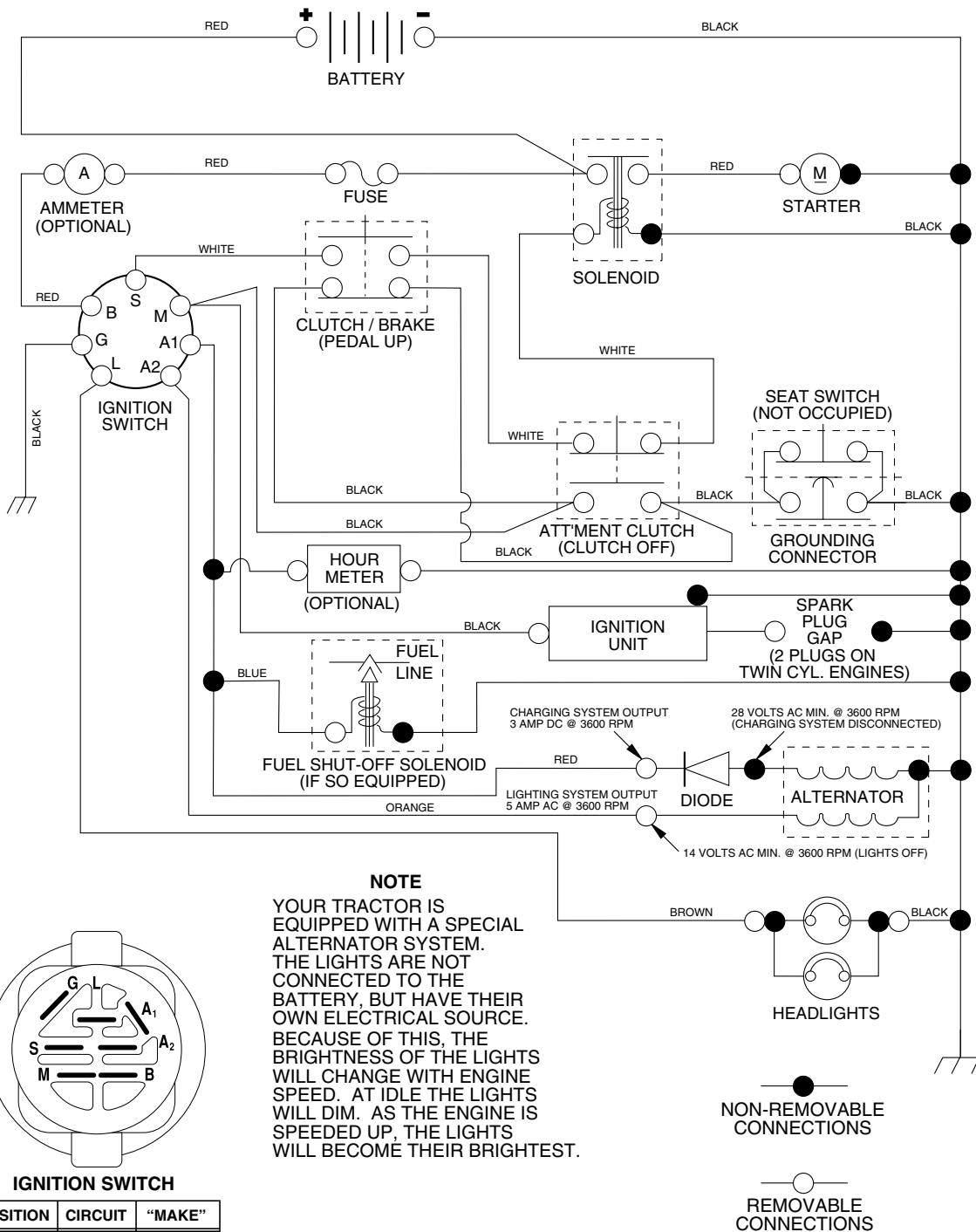


**TRACTOR - - MODEL NUMBER SP18H42STA PRODUCT NO. 954 56 97-45
SCHEMATIC**

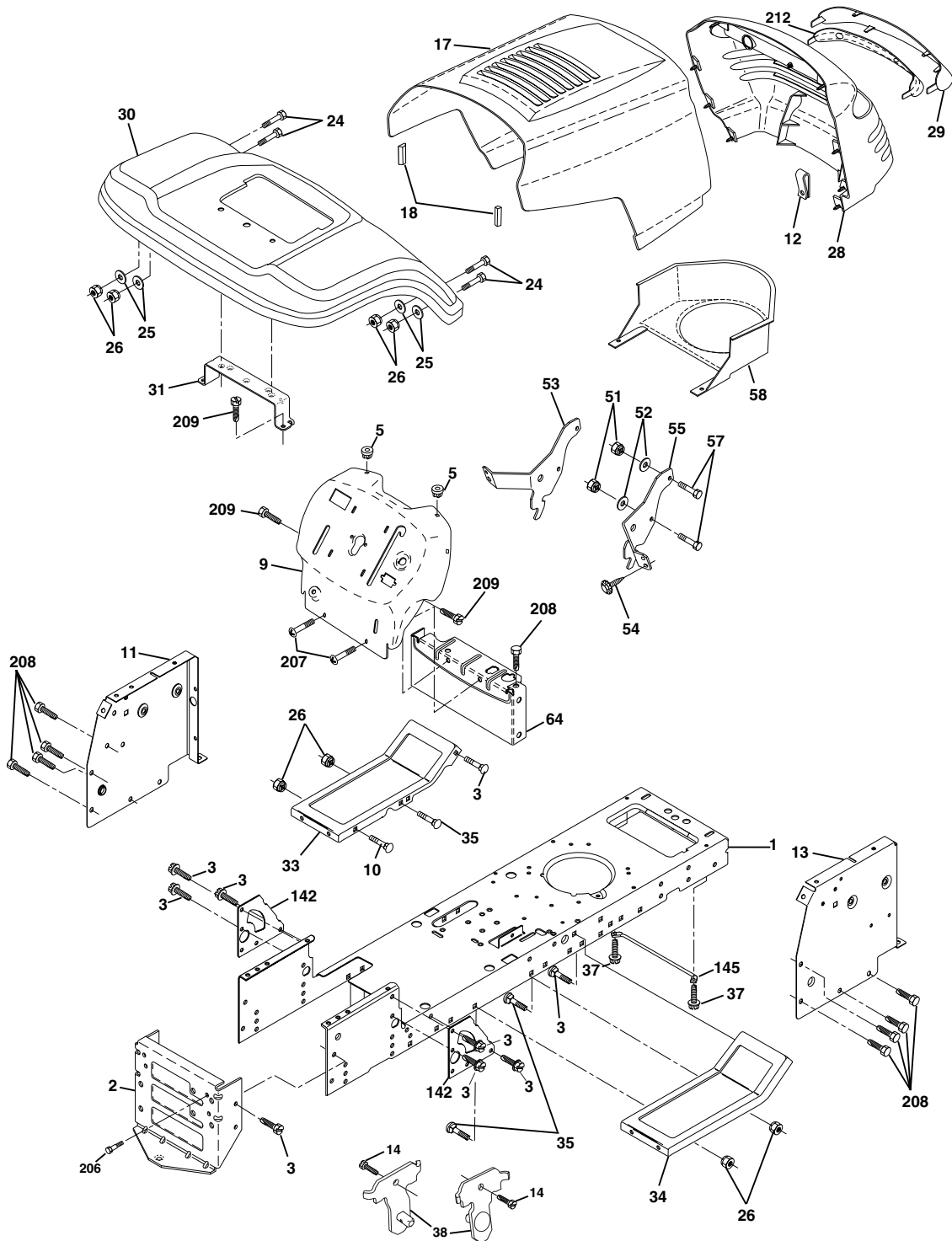


**TRACTOR - - MODEL NUMBER SP18H42STA PRODUCT NO. 954 56 97-45
ELECTRICAL**

KEY NO.	PART NO.	DESCRIPTION
1	163465	Battery
2	74760412	Bolt Hex Hd 1/4-20unc X 3/4
8	176689	Battery Box
16	176138	Switch Interlock Push-In
21	175685	Harness Socket Light
22	4152J	Bulb, Light # 1156
24	4799J	Cable Battery
25	146147	Cable Battery 6 Ga Red w/16 wire
26	175158	Fuse
27	73510400	Nut Keps Hex 1/4-20 Unc
28	4207J	Cable Ground 6ga 12 black
29	121305X	Switch Plunger Nc Gray
30	175566	Switch Ign
33	140401	Key Ign Molded Generic
40	179720	Harness Ign
41	71110408	Bolt Fin Hex 1/4-20uncx 1/2
42	131563	Cover Terminal Red
43	178861	Solenoid
45	121433X	Ammeter Rectangular
52	141940	Protection Loop
90	180449	Cover Terminal

NOTE: All component dimensions given in U.S. inches
1 inch = 25.4 mm

**TRACTOR - - MODEL NUMBER SP18H42STA PRODUCT NO. 954 56 97-45
CHASSIS AND ENCLOSURES**



**TRACTOR - - MODEL NUMBER SP18H42STA PRODUCT NO. 954 56 97-45
CHASSIS AND ENCLOSURES**

KEY NO.	PART NO.	DESCRIPTION
1	174619	Chassis
2	176554	Drawbar
3	17060612	Screw 3/8-16x.75
5	155272	Bumper Hood/Dash
9	168337X012	Dash
10	72140608	Bolt Carriage 3/8-16 x 1
11	174996	Panel Dash Lh
12	145660	Clip Tinnerman
13	172105X010	Panel Dash Rh
14	17490608	Screw Thdrol 3/8-16 x 1-1/4
17	159639X417	Hood
18	184921	Bumper Hood Large
20	180679	Plate Battery
23	124028X	Bushing Snap
24	74780616	Bolt Fin Hex 3/8-16 x 1 Gr 5
25	19131312	Washer 13/32 X 13/16 X 12 Ga
26	73800600	Nut Lock Hex W/Ins 3/8-16 Unc
28	179101	Grille LT/PL
29	140273X599	Lens
30	169468X417	Fender
31	136619	Bracket Support Fender
33	179716X417	Footrest Pnt Lh
34	179717X417	Footrest Pnt Rh
35	72110606	Bolt Rdhd Sht Sqnk 3/8-16 x 3/4
37	17490508	Screw Thdrol 6/16-18 x 1/2 TYT
38	175710	Bracket Asm. Pivot Mower Rear
51	73800400	Nut Lock Hex W/Ins 1/4-20
52	19091416	Washer 9/32 x 7/8 x 16 Ga.
53	144697	Bracket Grille Lh
54	161464	Screw Hex Wshd 8-18 x 7/8
55	144696	Bracket Grille Rh
57	74780412	Bolt Hex 1/4-20 x 3/4
58	150127	Duct Air Engine
64	154798	Dash Lower STLT
142	175702	Plate Reinforcement STLT
145	156524	Rod Pivot Chassis/Hood
206	170165	Bolt Shoulder 5/16-18
207	17670508	Screw Thdrol 5/16-18 x 1/2
208	17670608	Screw Thdrol 3/8-16 x 1/2
209	17000612	Screw Hexwsh Thdr 3/8-16 x 3/4
212	156229	Insert Lens Reflect
219	17000512	Screw 5/16-18 x 3/4
--	5479J	Plug

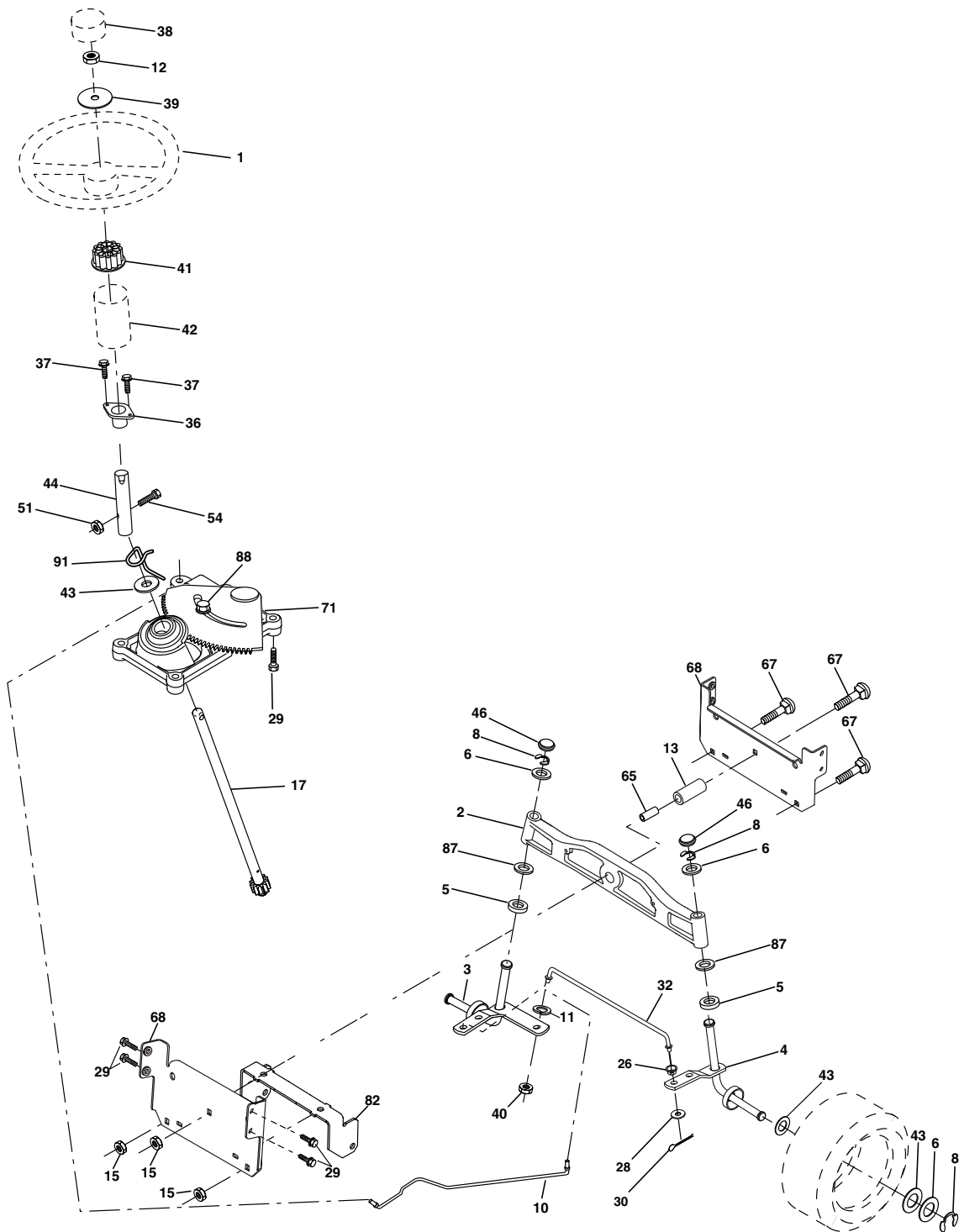
NOTE: All component dimensions given in U.S. inches
1 inch = 25.4 mm

**TRACTOR - - MODEL NUMBER SP18H42STA PRODUCT NO. 954 56 97-45
GROUND DRIVE**

KEY NO.	PART NO.	DESCRIPTION	KEY NO.	PART NO.	DESCRIPTION
1	-----	Transaxle Hydro Gear 314-0510 (Order Parts From Transaxle Manufacturer)	70	134683	Guide Belt
8	165619	Rod Shift Hydro LT	71	169183	Strap Torque Lh Hydro
10	76020416	Pin Cotter 1/8 x 1 CAD	73	169182	Strap Torque Rh Hydro
14	10040400	Washer Lock Hvy Helical	74	137057	Spacer, Axle
15	74490544	Bolt, Hex FLGHD 5/16-18 Gr. 5	75	121749X	Washer 25/32 x 1-1/4 x 16 Gauge
16	73800500	Nut Lock Hex W/Ins 5/16-18unc P	76	12000001	E-Ring
19	73800600	Nut Lock Hex W/Wsh 3/8-16 Unc	77	123583X	Key, Square
21	140845	Knob, Round 1/2-13	78	121748X	Washer 25/32 x 1-5/8 x 16 Gauge
22	169498	Rod, Brake Hydro	81	165596	Shaft Asm. Cross Hydro
24	73350600	Nut	82	123782X	Spring Torsion T/A
25	106888X	Spring, Brake Rod	83	19171216	Washer 17/32 x 3/4 x 16 Ga.
26	19131316	Washer	84	169594	Link Transaxle
27	76020412	Pin Cotter 1/8 x 3/4 CAD.	89	169373X428	Console, Hydro
28	175765	Rod, Parking Brake	95	170201	Control Asm Bypass Hydro
29	71673	Cap, Parking Brake	96	4497H	Retainer Spring 1" Zinc/Cad
30	169592	Bracket, Transaxle	116	72140608	Bolt Rdhd Sq Neck 3/8-16 x 1
32	74760512	Bolt Hex Hd 5/16-18 Unc x 3/4	120	73900600	Nut Lock Flg 3/8-16
34	175578	Shaft, Foot Pedal	150	175456	Spacer Retainer
35	120183X	Bearing, Nylon	151	19133210	Washer 13/32 x 2 x 10 Ga.
36	19211616	Washer	156	166002	Washer Srrted 5/16 ID x 1.125
37	1572H	Pin, Roll	158	165589	Bracket Shift Mount
38	179114	Pulley, Flat Composite	159	183900	Hub Tapered Flange Shift Lt
39	74760648	Bolt Fin Hex 3/8-16 x 3	161	72140406	Bolt Rdhd Sqnk 1/4-20 x 3/4 Gr 5
41	175556	Keeper, Belt Idler	162	73680400	Nut Crownlock 1/4-20 Unc
47	127783	Pulley, Idler, V-Groove	163	74780416	Bolt Hex Fin 1/4-20 Unc x 1 Gr 5
48	154407	Bellcrank Clutch Grnd Drv STL	164	19091010	Washer 5/8 x .281 x 10 Ga
49	123205X	Retainer, Belt	165	165623	Bracket Pivot Lever
50	72110612	Bolt Carr. SH 3/8-16 x 1-1/2 Gr. 5	166	166880	Screw 5/16-18 x 5/8
51	73680600	Nut Crownlock 3/8-16 UNC	168	165492	Bolt Shoulder 5/16-18 x .561
52	73680500	Nut Crownlock 5/16-18 UNC	169	165580	Plate Fastening Lt
53	105710X	Link, Clutch	197	169613	Nyliner Snap-In 5/8" ID
55	105709X	Spring, Return, Clutch	198	169593	Washer Nyl 7/8 ID x .105
56	17060620	Screw 3/8-16 x 1-1/4	199	169612	Bolt Shoulder 5/16-18 Unc
57	140294	V-Belt, Ground Drive	200	72140508	Bolt Rdhd Sqnk 5/16-18 Unc x 1
59	169691	Keeper, Center Span	202	72110614	Bolt RDHD 3/8-16 x 1-3/4 Gr 5
61	17120614	Screw 3/8-16 x .875	212	145212	Nut Hex Flg Lock
62	8883R	Cover, Pedal	250	17060612	Screw Thdrol. 3/8-16 x .75
63	175410	Pulley, Engine			
64	71170764	Bolt, Hex			
65	10040700	Washer			
66	154778	Keeper Belt Engine			
69	142432	Screw			

NOTE: All component dimensions given in U.S.
inches 1 inch = 25.4 mm

TRACTOR - - MODEL NUMBER SP18H42STA PRODUCT NO. 954 56 97-45
STEERING ASSEMBLY

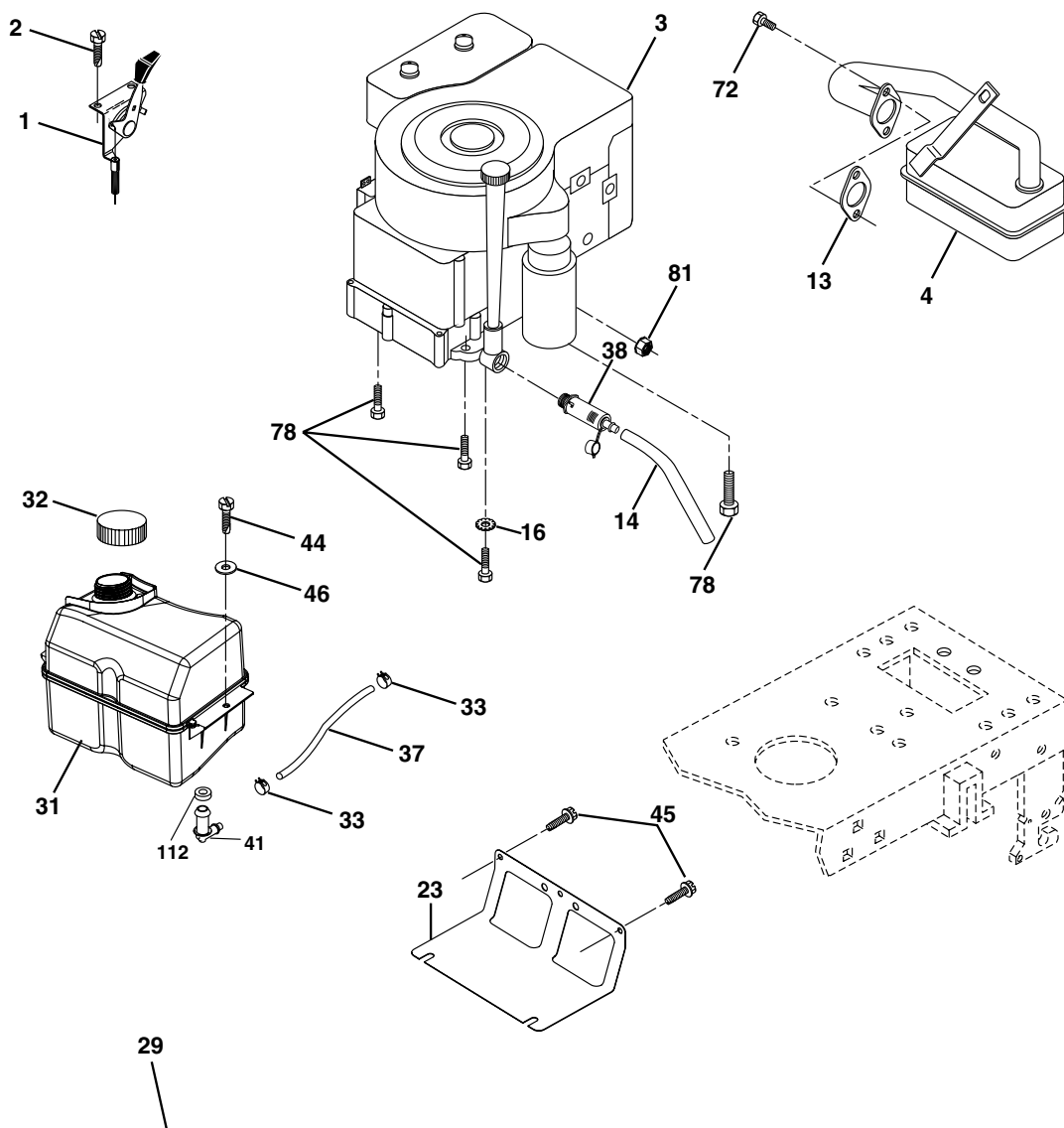


**TRACTOR - - MODEL NUMBER SP18H42STA PRODUCT NO. 954 56 97-45
STEERING ASSEMBLY**

KEY NO.	PART NO.	DESCRIPTION
1	184704X428	Wheel Steering
2	172393	Axle Asm Cast Iron LT
3	169840	Spindle Asm LH
4	169839	Spindle Asm RH
5	6266H	Bearing Race Thrust Harden
6	121748X	Washer 25/32 X 1-5/8 X 16 Ga
8	12000029	Ring Klip #t5304-75
10	175121	Link Drag
11	10040600	Washer Lock Hvy Hlcl Spr 3/8
12	73940800	Nut Hex Jam Toplock 1/2-20 Unf
13	136518	Spacer Brg. Axle Front
15	145212	Nut Hex Flange Lock
17	180641	Shaft Asm. Steering
26	126847X	Bushing Link Drag
28	19131416	Washer 13/32 x 7/8 x 16 Ga.
29	17060612	Screw 3/8-16 x .75
30	76020412	Pin Cotter 1/8 x 3/4
32	130465	Rod Tie
36	155099	Bushing Strg
37	152927	Screw
38	159946X428	Insert Cap Strg Wh Au
39	19182411	Washer
40	7810H	Lock nut
41	159945	Adaptor Wheel Strg
42	145054X428	Boot Steering Dash
43	121749X	Washer 25/32 X 1 1/4 X 16 Ga
44	180640	Extension Steering Shaft
46	121232X	Cap Spindle Fr Top Blk
51	73540400	Nut Crownlock 1/4-28
54	71130420	Bolt Hex 1/4-28 Unf x 1-1/4 Gr. 8
65	160367	Brace Axle
67	72140618	Bolt Rdhd Sq 3/8-16 Unc x 2-1/4
68	169827	Axle, Brace
71	175146	Steering Asm.
82	169835	Bracket Susp. Chassis Front
87	173966	Washer Flat .781 x 1-1/2 x 14
88	175118	Bolt Shoulder 7/16-20 Unc
91	175553	Clip Steering

NOTE: All component dimensions given in U.S. inches
1 inch = 25.4 mm

**TRACTOR - - MODEL NUMBER SP18H42STA PRODUCT NO. 954 56 97-45
ENGINE**



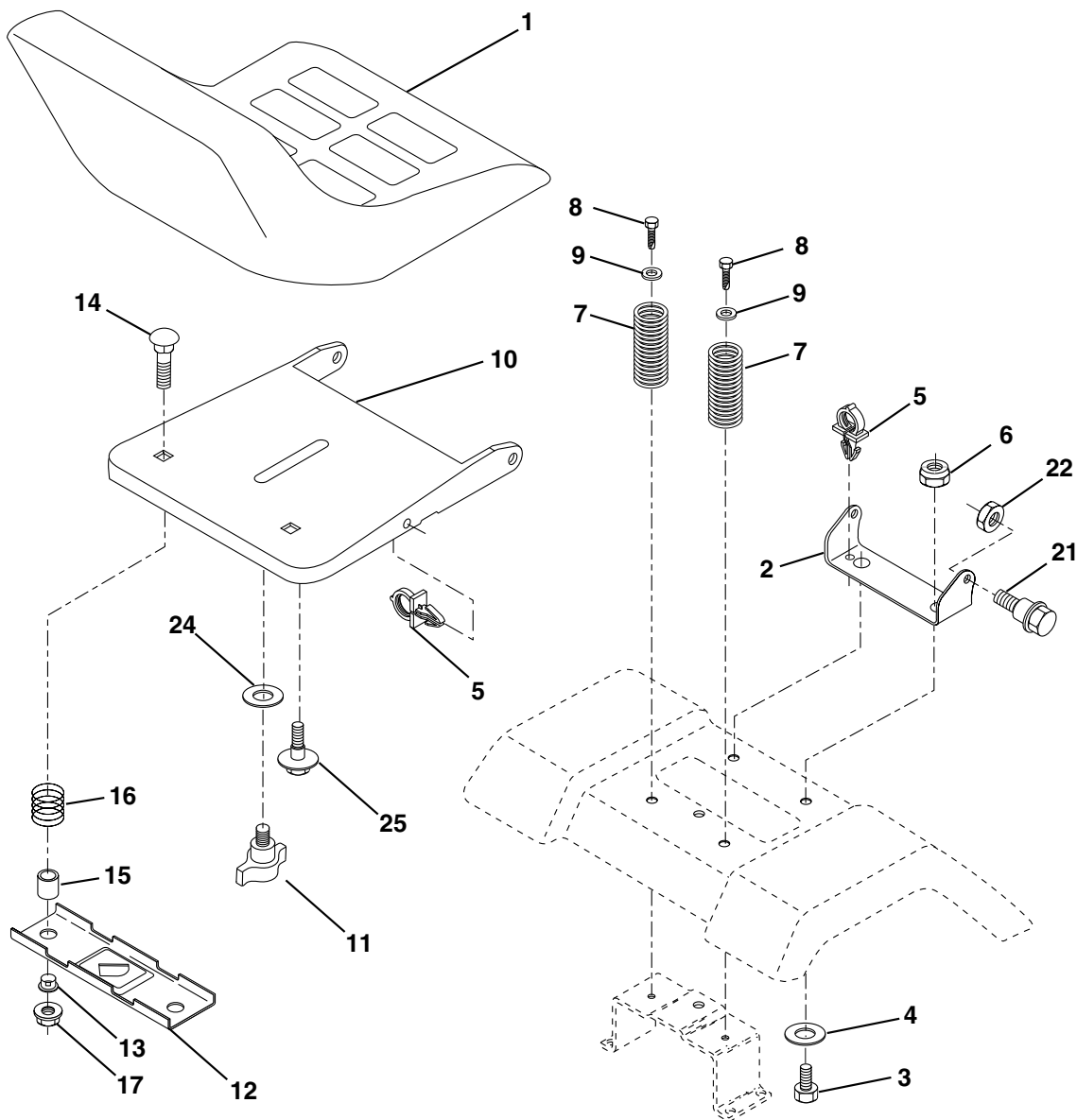
OPTIONAL EQUIPMENT
Spark Arrester

KEY PART NO.	NO.	DESCRIPTION
1	170551	Control Th/ch Flag
2	17720408	Screw Hex Thd Cut 1/4-20 x 1/2
3	-----	Engine, Briggs Model 31H777 (Order Parts From Engine Manufacturer)
4	137352	Muffler
13	165291	Gasket Eng
14	148456	Tube Drain Oil Easy
16	11050600	Washer Lock Ext Tooth 3/8
23	169837	Shield Brn/Dbr Guard
29	137180	Kit Spark Arrestor (Flat Scrn)
31	180645	Tank Fuel Front
32	140527	Cap Asm Fuel W/sym Vented
33	123487X	Clamp Hose Black

KEY PART NO.	NO.	DESCRIPTION
37	137040	Line Fuel 20"
38	181654	Plug Drain Oil Easy
41	139277	Stem Tank Fuel
44	17670412	Screw Hexwsh Thdrol 1/4-20x3/4
45	17000612	Screw Hexwsh Thdr 3/8-16 x 3/4
46	19091416	Washer 9/32 X 7/8 X 16 Ga
72	183906	Screw Socket Head 5/16-18 x 1
78	17060620	Screw 3/8-16x1-1/4
81	73510400	Nut Keps Hex 1/4-20 UNC
112	3645J	Bushing

NOTE: All component dimensions given in U.S. inches
1 inch = 25.4 mm

**TRACTOR - - MODEL NUMBER SP18H42STA PRODUCT NO. 954 56 97-45
SEAT ASSEMBLY**

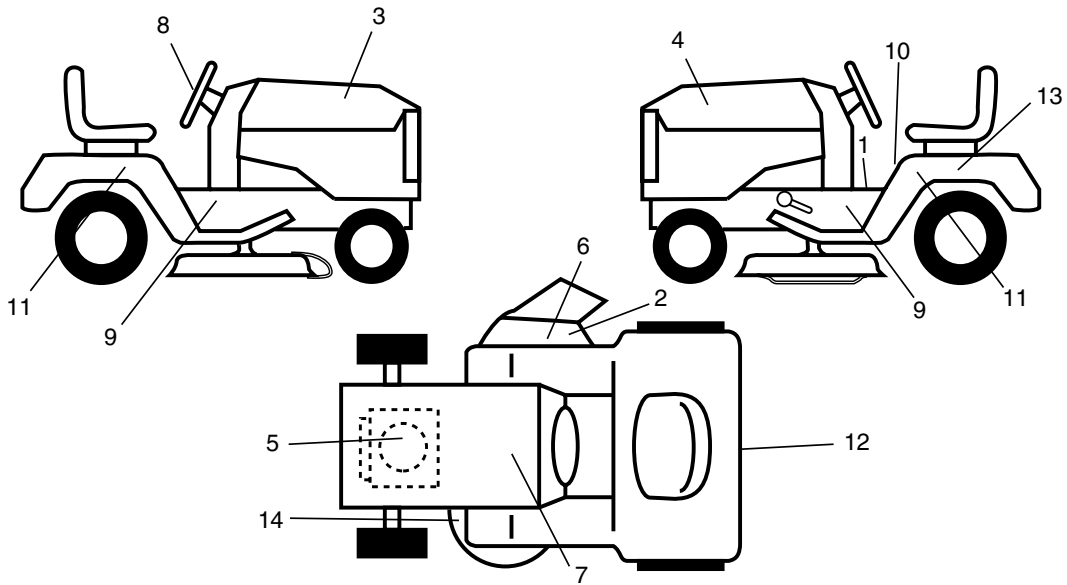


KEY PART NO.	PART NO.	DESCRIPTION
1	140117	Seat
2	140551	Bracket Pivot Seat 8 720
3	71110616	Bolt Fin Hex 3/8-16 Unc X 1
4	19131610	Washer 13/32 X 1 X 10 Ga
5	145006	Clip Push-In
6	73800600	Nut Hex w/Ins. 3/8-16 Unc
7	124181X	Spring Seat Cprsn 2 250 Blk Zi
8	17000616	Screw 3/8-16 X 1.5
9	19131614	Washer 13/32 X 1 X 14 Ga.
10	182493	Pan Seat
11	166369	Knob Seat
12	121246X	Bracket Mounting Switch

KEY PART NO.	PART NO.	DESCRIPTION
13	121248X	Bushing Snap Blk Nyl 50 Id
14	72050412	Bolt Rdhd Sqnk 1/4-20x1-1/2
15	134300	Spacer Split 28x 88
16	121250X	Spring Cprsn
17	123976X	Nut Lock 1/4 Lge Flg Gr 5 Zinc
21	171852	Bolt Shoulder 5/16-18 Unc
22	73800500	Nut Hex Lock W/Ins 5/16-18
24	19171912	Washer 17/32 X 1-3/16 X 12 Ga.
25	127018X	Bolt Shoulder 5/16-18 X 62

NOTE: All component dimensions given in U.S. inches
1 inch = 25.4 mm

**TRACTOR - - MODEL NUMBER SP18H42STA PRODUCT NO. 954 56 97-45
DECALS**



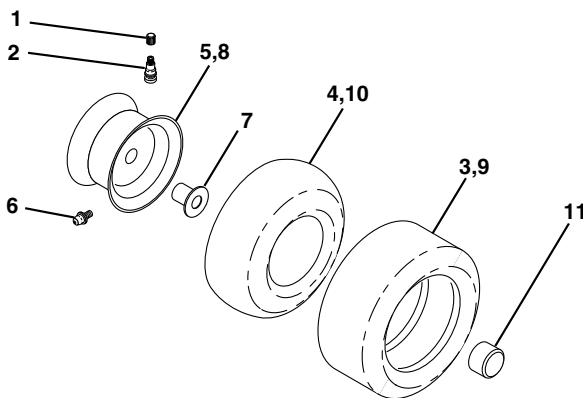
**KEY PART
NO. NO.**

KEY PART NO.	PART NO.	DESCRIPTION
1	156811	Decal Oper
2	181249	Decal Footrest
3	186190	Decal Hood RH Statesman
	186230	Decal Hood RH Agway
4	186191	Decal Hood LH Statesman
	186231	Decal Hood LH Agway
5	184754	Decal HP Engine
6	179128	Decal Deck "B" 42"
7	185412	Decal Repl. Parts
8	186196	Decal Steering Wheel Statesman
	186210	Decal Steering Wheel Agway
9	186200	Decal 18/42 Statesman
	186234	Decal 18/42 Agway

**KEY PART
NO. NO.**

KEY PART NO.	PART NO.	DESCRIPTION
10	156439	Decal Fender Danger E/F
11	186238	Decal "Automatic"
12	186198	Decal Statesman
	186209	Decal Agway
13	145005	Decal Battery
14	160396	Decal V-Belt Schematic
--	179768X428	Pad Footrest LH
--	179769X428	Pad Footrest RH
--	138311	Decal Handle Lft Height Adjust
--	169210	Decal By Pass
--	185768	Manual Owner's (English)
--	185769	Manual Owner's (Spanish)

WHEELS & TIRES

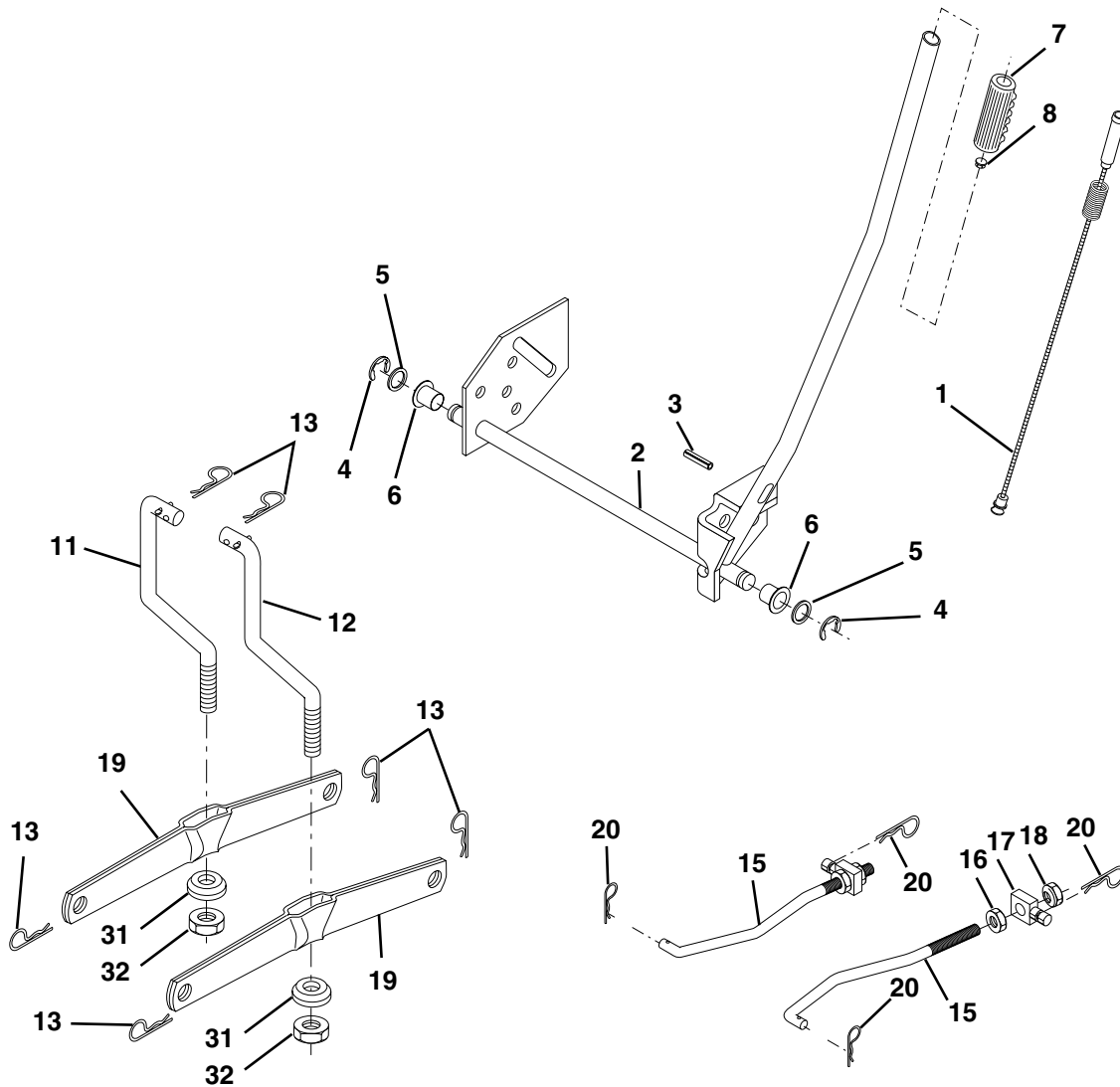


**KEY PART
NO. NO.**

KEY PART NO.	PART NO.	DESCRIPTION
1	59192	Cap Valve Tire
2	65139	Stem Valve
3	106222X	Tire F T 15 X 6 0 - 6 Service
4	59904	Tube Front (Service Item Only)
5	106732X624	Rim Asm 6"front Service
6	278H	Fitting Grease (Front Wheel Only)
7	9040H	Bearing Flange (Front Wheel nly)
8	106108X624	Rim Asm 8"rear Service
9	122082X	Tire R T 20x10-8 Service
10	7152J	Tube Rear (Service Item Only)
11	104757X428	Cap Axle Blk 1 50 X 1 00
--	144334	Sealant, Tire (10 oz. Tube)

NOTE: All component dimensions given in U.S. inches
1 inch = 25.4 mm

**TRACTOR - - MODEL NUMBER SP18H42STA PRODUCT NO. 954 56 97-45
LIFT ASSEMBLY**

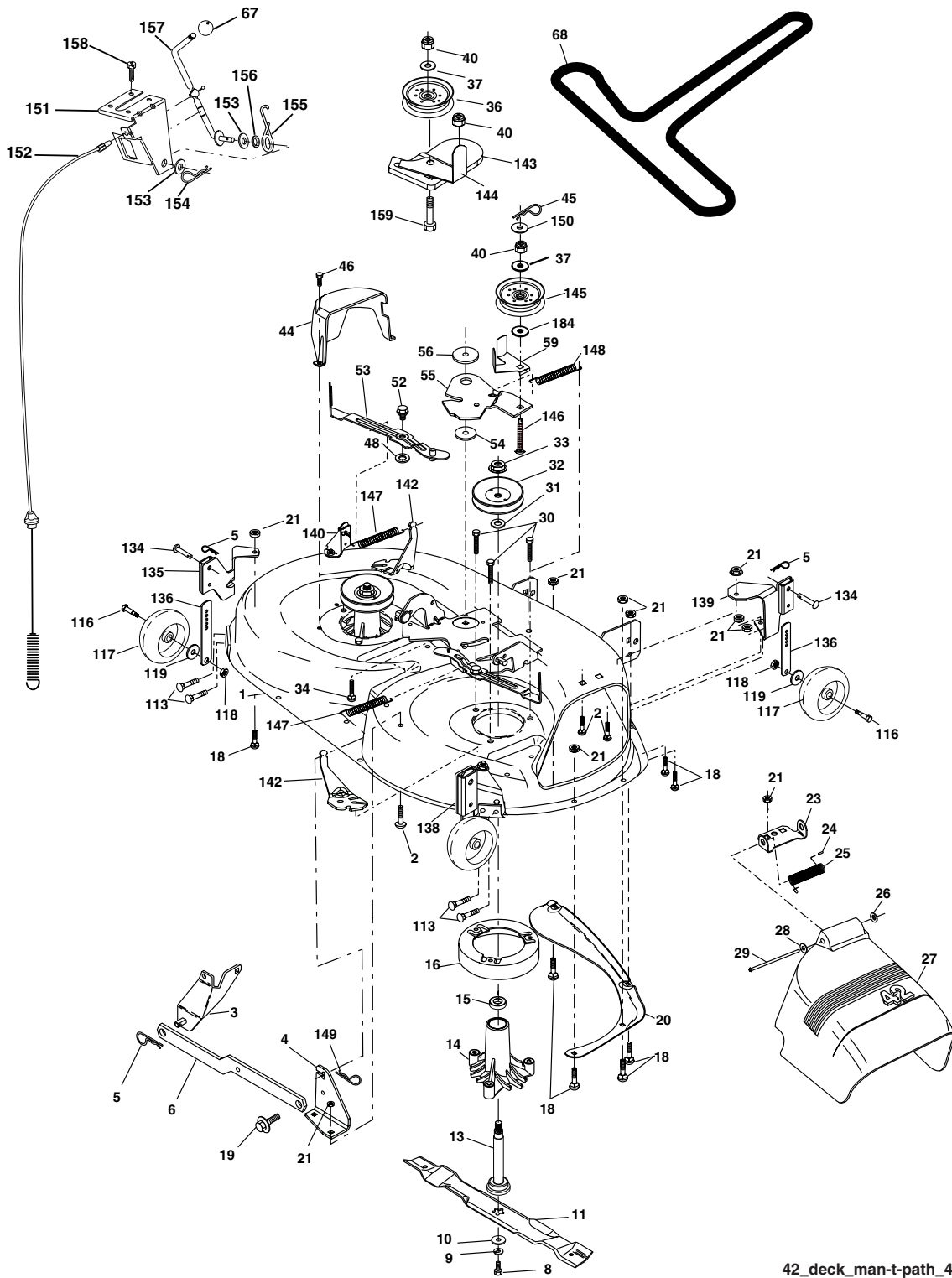


KEY PART NO.	NO.	DESCRIPTION
1	159460	Wire Asm Inner/Sprg W/plunger LT
2	159471	Shaft Asm Lift RH w/Inf
3	105767X	Pin Groove 1 500 Zinc
4	12000002	E Ring #5133-62
5	19211621	Washer 21/32 X 1 X 21 Ga
6	120183X	Bearing Nylon Blk 629 Id
7	125631X	Grip Handle
8	124526X	Button Plunger
11	139865	Link Lift LH Fixed Length
12	139866	Link Lift RH Fixed Length

KEY PART NO.	NO.	DESCRIPTION
13	4939M	Retainer Spring
15	173288	Link Front
16	73350800	Nut Jam Hex 1/2-13 Unc
17	175689	Trunnion
18	73800800	Nut Lock W/Wsh 1/2-13 Unc
19	139868	Arm Suspension Rear
20	163552	Retainer Spring
31	169865	Bearing Pvt Lift
32	73540600	Nut Crownlock 3/8 - 24

NOTE: All component dimensions given in U.S. inches
1 inch = 25.4 mm

**TRACTOR - - MODEL NUMBER SP18H42STA PRODUCT NO. 954 56 97-45
MOWER DECK**



42_deck_man-t-path_4.

**TRACTOR - - MODEL NUMBER SP18H42STA PRODUCT NO. 954 56 97-45
MOWER DECK**

KEY NO.	PART NO.	DESCRIPTION	KEY NO.	PART NO.	DESCRIPTION
1	182032	Mower Deck Assembly, 42"	55	155046	Arm, Idler
2	72140506	Bolt	56	165723	Spacer, Retainer
3	138017	Bracket Asm Fr. Sway Bar 3/42	59	141043	Guard TUV Idler
4	165460	Bracket Asm Deck 42" Sway Bar	67	106932X	Knob
5	4939M	Retainer Spring	68	144959	V-Belt, 42" Mower
6	178024	Bar Sway Deck	113	17060512	Screw 5/16-18 x 3/4
8	850857	Bolt 3/8-24 x 25 Grade 8 patched	116	137644	Bolt, Shoulder
9	10030600	Washer, Lock	117	133957	Wheel, Gauge
10	140296	Washer, Hardened	118	73930600	Nut Centerlock 3/8-16
11	134149	Blade, Mulching 42" Std (For mulching mowers only)	119	19121414	Washer 3/8 x 7/8 x 14 Ga.
	138971	Blade Mower 42" Hi-Lift (For bag- ging and discharging)	134	156941	Pin Head Rivet
	139775	Blade Mulching 42" Premium (For better wear when mulching)	135	159765	Bracket Asm. Whl. Ga. Rear LH
13	137645	Shaft Assembly, Mandrel, Vented	136	155986	Bar Adjusting Ga. Whl.
14	128774	Housing, Mandrel, Vented	138	159763	Bracket Asm. Whl. Ga Rear RH
15	110485X	Bearing, Ball, Mandrel	139	159767	Bracket Asm. Whl. Ga Front RH
16	174493	Stripper, Mandrel Deck	140	159768	Bracket Asm. Whl. Ga Front LH
18	72140505	Bolt, Carriage 5/16-18 x 5/8	142	165890	Arm Spring Brake Mower
19	132827	Bolt, Shoulder	143	157109	Bracket Arm Idler 42"
20	159770	Baffle, Vortex	144	158634	Keeper Belt 42" Clutch Cable
21	73680500	Nut	145	165888	Pulley Idler Flat
23	177563	Bracket, Deflector Mower 42"	146	171977	Bolt Carriage Idler
24	105304X	Cap, Sleeve 80 x 112 Blk Mower	147	131335	Spring Extension
25	123713X	Spring, Torsion, Deflector 2 52	148	169022	Spring Return Idler
26	110452X	Nut, Push Phos & Oil	149	165898	Retainer Spring Yellow
27	130968X428	Shield, Deflector 42" Blk	150	19091216	Washer 9/32 x 3/4 x 16 Ga.
28	19111016	Washer 11/32 x 5/8 x 16 Gauge	151	169670	Bracket Clutch Cable
29	131491	Rod, Hinge 42" 6 75 W/G	152	169676	Clutch Cable 42"
30	173984	Screw Thdrol Washer Head	153	169674	Washer Flat 3/8" Type B
31	129963	Washer, Spacer Mower Vented	154	169675	Spring Retainer
32	153535	Pulley, Mandrel	155	169671	Spring Retention LVR CLTCH CAB
33	178342	Nut, Toplock 9/16 Flange	156	169672	Spacer Clutch Cable
34	72110614	Bolt	157	169669	Rod Clutch Cable 3/8"
36	131494	Pulley, Idler, Flat	158	17720408	Screw Hex Thd Cut 1/4-20 x 5/8
37	19131316	Washer 13/32 x 13/16 x 16 Gauge	159	72140614	Bolt Rdhd Sqn 3/8-16 UNC x 1-3/4
40	73680600	Nut	184	19131410	Washer 13/32 x 7/8 x 10 Ga.
44	140088	Guard, Mandrel, LH	--	130794	Mandrel Assembly (Includes Housing, Shaft and Shaft Hard ware Only-Pulley Not Included)
45	4497H	Retainer	--	185772	Replacement Mower, Complete
46	137729	Screw, Thdrol 1/4-20 x 5/8 T			
48	133944	Washer, Hardened			
52	139888	Bolt, Shoulder 5/16-18 UNC			
53	184907	Arm Assembly, Pad, Brake			
54	178515	Washer, Hardened			

NOTE: All component dimensions given in U.S.inches
1 inch = 25.4 mm