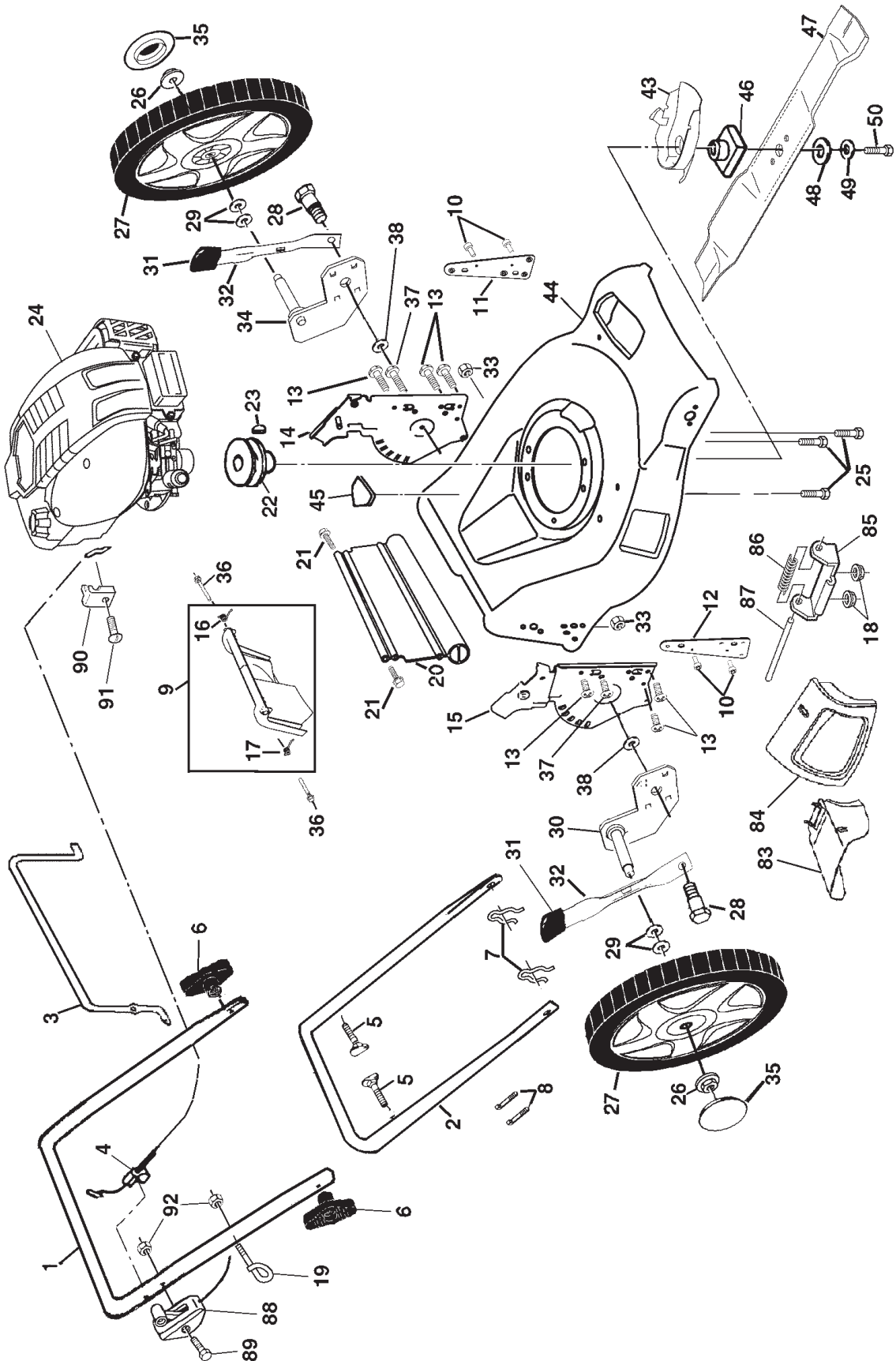


ROTARY LAWN MOWER - - MODEL NUMBER PR675Y21CHB

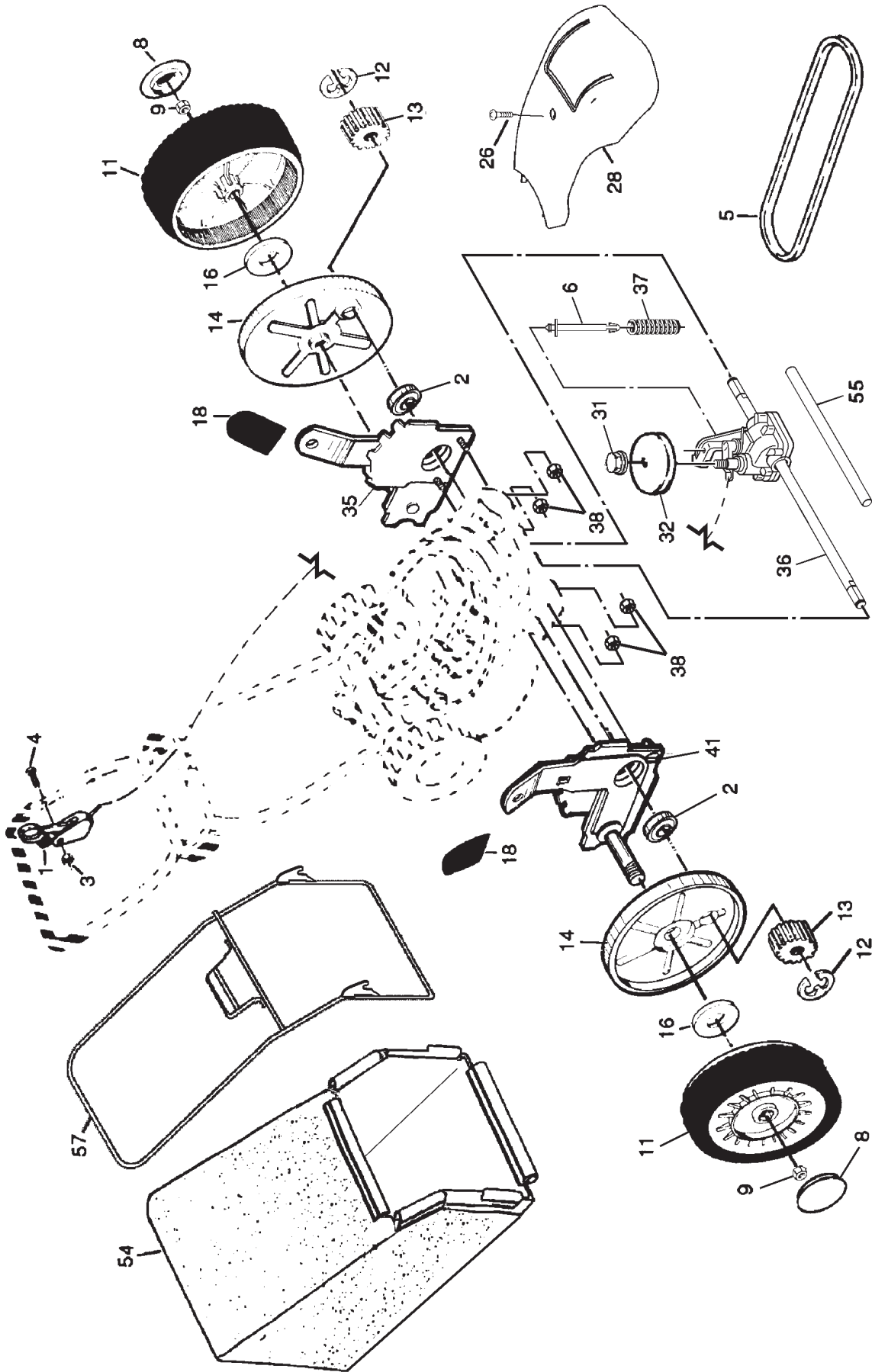


ROTARY LAWN MOWER - - MODEL NUMBER PR675Y21CHB

KEY NO.	PART NO.	DESCRIPTION	KEY NO.	PART NO.	DESCRIPTION
1	166862X479	Upper Handle	33	63124	Nut 5/16-18
2	151721X479	Lower Handle	34	180412X004	Axle Arm Assembly LR
3	170287	Control Bar	35	180624	Hubcap
4	133107	Engine Zone Control Cable	36	184193	Bolt
5	131959	Handle Bolt	37	150078	Thread Cutting Screw w/Sems 5/16-18 x 3/4
6	170146	Handle Knob	38	19112206	Washer
7	51793	Hairpin Cotter	43	175083	Bottom Belt Cover
8	66426	Wire Tie	44	176710	Lawn Mower Housing (Incl. Key #10, 11, 12& 45)
9	180479	Rear Door Kit (Incl. Key #16 & 17)	45	107339X	Danger Decal
10	128415	Pop Rivet	46	851514	Blade Adapter
11	175069X479	Support Bracket LH	47	175064	Blade 21"
12	175070X479	Support Bracket RH	48	851074	Hardened Washer
13	17060410	Screw 14-20 x 5/8	49	850263	Helical Washer 3/8-24 x 1-3/8 Gr. 8
14	175576X479	Handle Bracket Assembly (Left)	50	851084	Hex Head Machine Screw 3/8-24 x 1-3/8 Gr. 8
15	175577X479	Handle Bracket Assembly (Right)	83	175071	Clipping Deflector
16	180071	Spring LH	84	175066	Mulcher Door
17	180072	Spring RH	85	175735	Hinge Bracket
18	63601	Keps Locknut 1/4-20	86	175285	Spring
19	179585	Rope Guide	87	175650	Hinge Rod
20	178398	Rear Skirt	88	174221	Throttle Control
21	88652	Hinge Screw 1/4-20 x 1-1/4	89	144929	Screw
22	84596	Engine Pulley	90	111190X	Cable Clamp
23	87677	Hi-Pro Key #505	91	83816	Screw
24	- - -	Engine, Briggs & Stratton, Model No. 121602 (Order parts from Engine manufacturer)	92	132004	Nut, Hex
25	150406	Hex Head Thread Rolling Srew 3/8-16 x 1-1/8	- -	162300	Warning Decal (Not Shown)
26	83923	Hex Flange Nut	- -	172787	Operator's Manual, English
27	180203	Wheel	- -	172788	Operator's Manual, French
28	160828	Shoulder Bolt 5/16-18 x .33	- -	186099	Repair Parts Manual, English/French
29	57143	Wave Washer			
30	180411X004	Axle Arm Assembly RR			
31	175478	Selector Knob			
32	175053X004	Selector Spring			

NOTE: All component dimensions given in U.S. inches.
1 inch = 25.4 mm

ROTARY LAWN MOWER - - MODEL NUMBER PR675Y21CHB



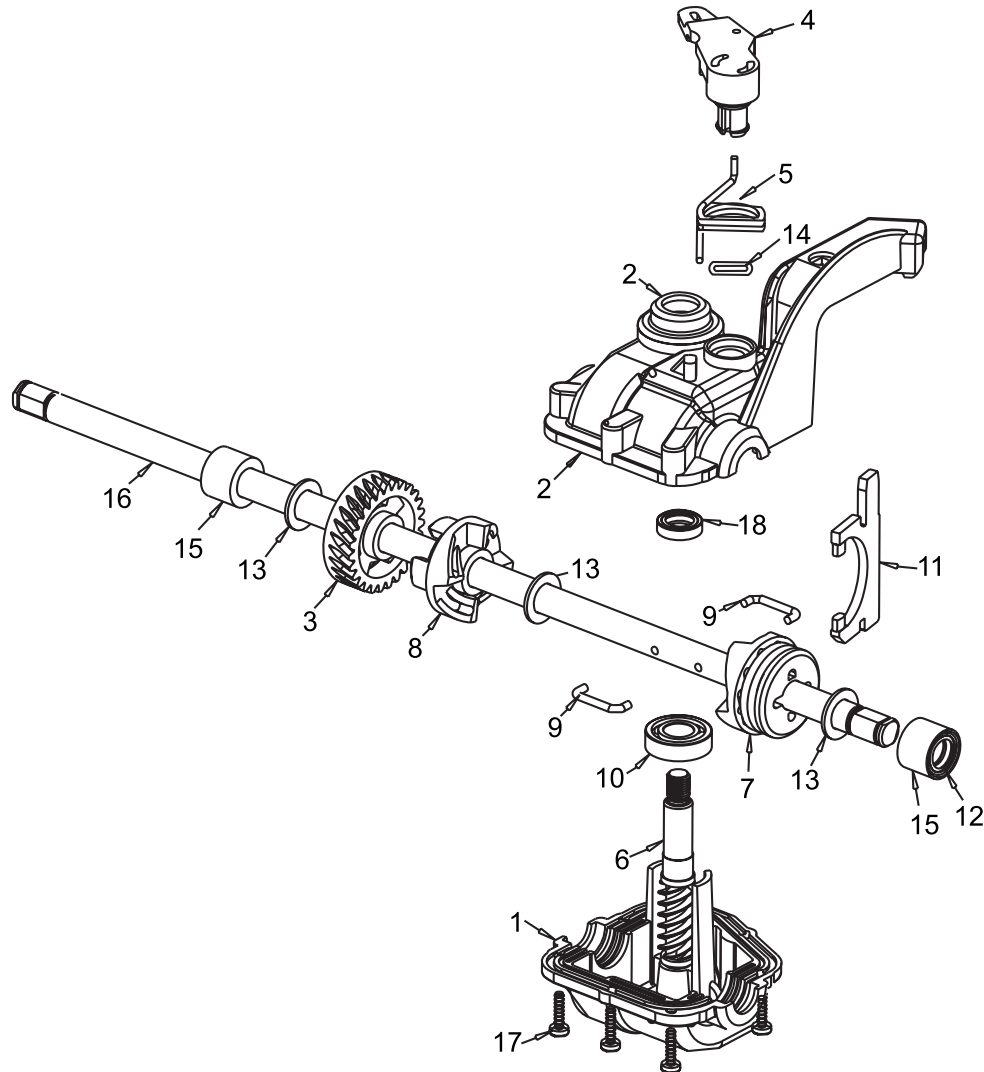
ROTARY LAWN MOWER - - MODEL NUMBER PR675Y21CHB

KEY NO.	PART NO.	DESCRIPTION	KEY NO.	PART NO.	DESCRIPTION
1	184587		28	180329	Drive Cover
2	167387	Control Cable Assembly	31	132010	Hex Flange Nut
3	751152	Bearing, Wheel Adjuster Locknut #10-24	32	137052	Drive Pulley
4	158755	Hex Washer Head Screw 1/4-20 x 2.12	35	172291	Kit, Wheel Adjuster, LH
5	175436	V-Belt	36	180184	(Includes Knob and Bearing)
6	150495	Spring Retainer	37	137090	Gear Case Assembly (See Breakdown)
8	180660	Hubcap	38	63601	Spring
9	145212	Locknut	41	172290	Locknut 1/4-20
11	180767	Wheel & Tire Assembly			Kit, Wheel Adjuster, RH
12	12000058	E-Ring	54	186027	(Includes Knob and Bearing)
13	137054	Pinion	55	175739	Grassbag Assembly
14	180504	Dust Cover	57	183993	Driveshaft Cover
16	67725	Washer 1/2 x 1-1/2 x .134			Frame
18	170143	Selector Knob			
26	175262	Pan Head Tapping Screw #10-24 x 2-3/4			

NOTE: All component dimensions given in U.S. inches.
1 inch = 25.4 mm

**ROTARY LAWN MOWER - - MODEL NUMBER PR675Y21CHB
GEARCASE ASSEMBLY - - PART NUMBER 180184**

**TONDEUSE À GAZON ROTATIVE - - NUMÉRO DE MODÈLE PR675Y21CHB
ENSEMBLE DE LA BOÎTE DE VITESSE - NUMÉRO DE PIÈCE 180184**



**KEY PART
NO. NO.**

1	183497	Case, Lower
2	183498	Case, Upper
3	183499	Gear, 27 Teeth
4	183500	Lever, Clutch
5	183501	Spring, Return
6	183502	Shaft, Input
7	183503	Dog, Movable
8	183504	Dog, Fixed
9	183505	Wire, Formed
10	183506	Bearing, Ball
11	183507	Fork, Shift
12	183508	Seal, Output Shaft
13	183509	Washer
14	183510	Seal, Case
15	183511	Bushing
16	183512	Shaft, Output
17	183513	Screw
18	183514	Seal, Input Shaft
--	183404	Kit, Gearcase Replacement (Includes Instructions)

DESCRIPTION

Boîte, Inférieur
Boîte, Supérieur
Engrenage, 27 Dents
Levier d'embrayage
Ressort de Rappel
Arbre d'entrée
Griffe, Amovible
Griffe, Fixe
Fil à Pince
Palier
Fourchette de Changement de Vitesse
Sceau, Arbre de Sortie
Rondelle
Sceau, Boîte
Douille
Arbre de Sortie
Vis
Sceau, Arbre d'entrée
Jeu, Remplacer, Boîte de Vitesse (Y compris le instructions)

NOTE: Use Dow Corning #709
to reseal Gear Case Halves.

REMARQUE: Utilizer Dow Corning #709
pour Sceau les Boîtes.