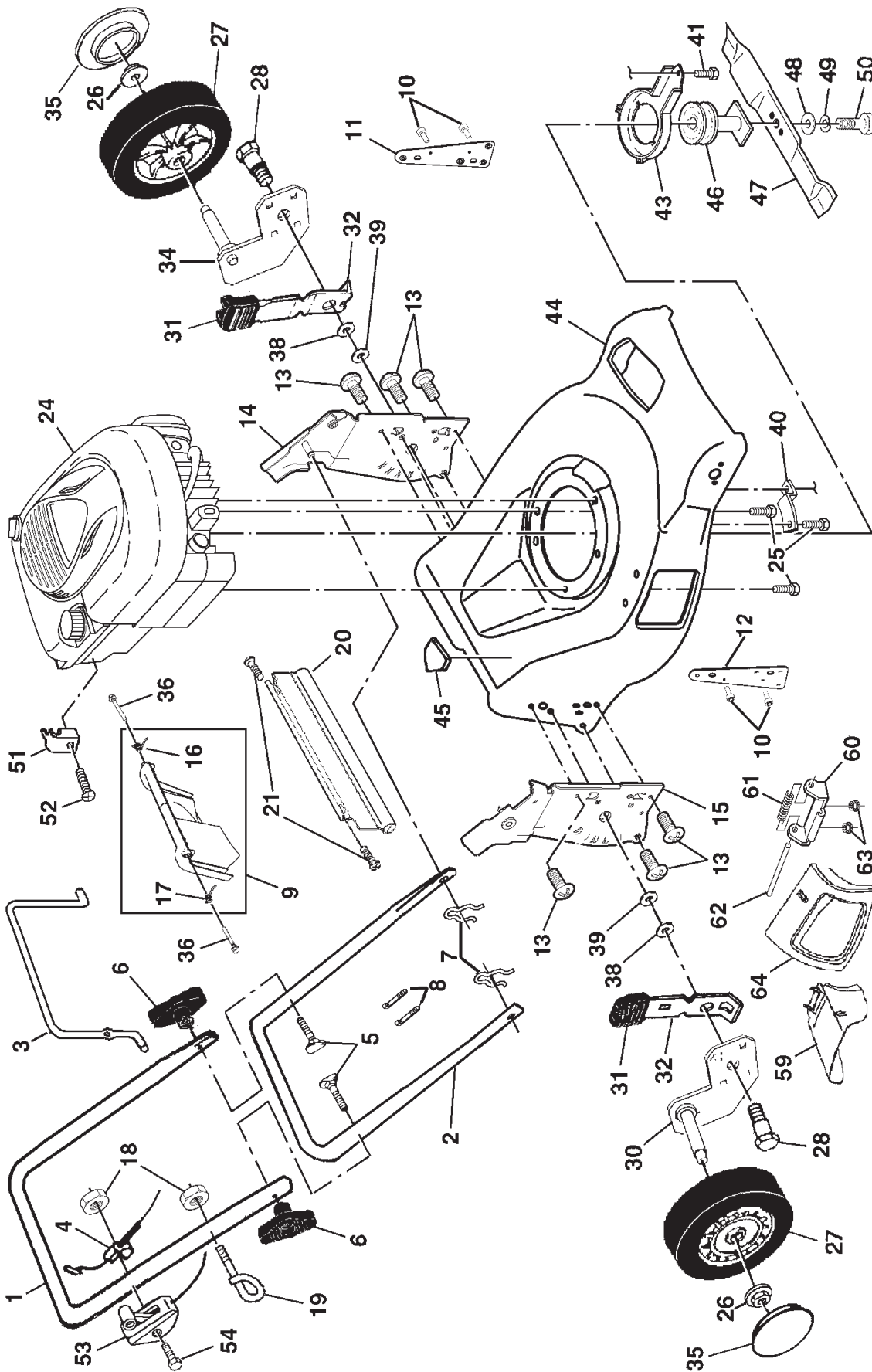


ROTARY LAWN MOWER -- MODEL NUMBER PR65Y21CD

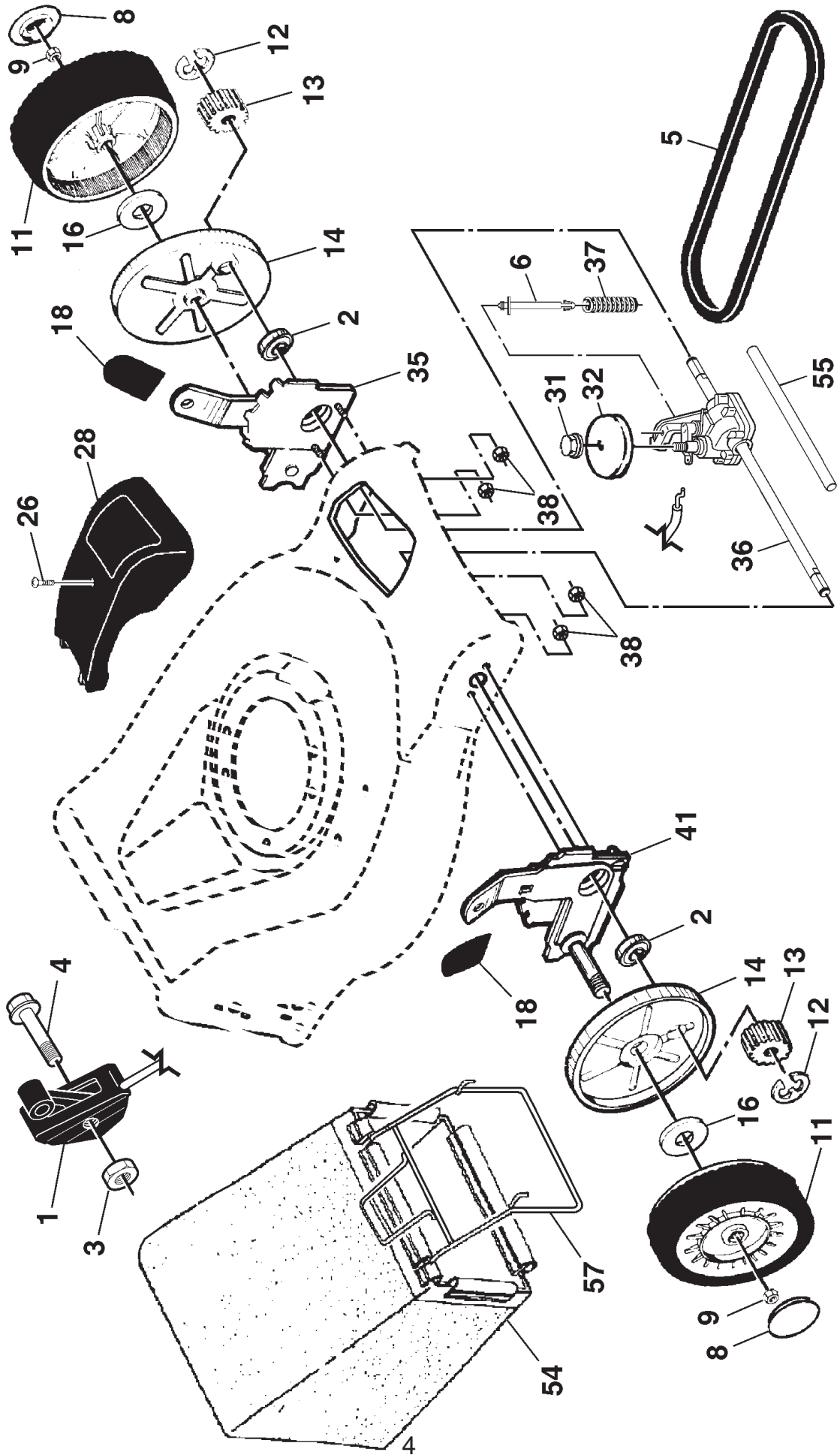


ROTARY LAWN MOWER -- MODEL NUMBER PR65Y21CD

| KEY NO. | PART NO. | DESCRIPTION | KEY NO. | PART NO. | DESCRIPTION |
|---------|------------|---|---------|------------|---|
| 1 | 183496X479 | Upper Handle | 34 | 186576X004 | Axle Arm Assembly, LR |
| 2 | 151721X479 | Lower Handle | 35 | 77400 | Hubcap |
| 3 | 146771 | Control Bar | 36 | 184193 | Bolt |
| 4 | 133107 | Engine Zone Control Cable | 38 | 176185 | Washer |
| 5 | 191574 | Handle Bolt | 39 | 176235 | Push Nut |
| 6 | 189713X428 | Handle Knob | 40 | 188839X004 | Mounting Bracket, Debris Shield |
| 7 | 51793 | Hairpin Cotter | 41 | 188040 | Screw |
| 8 | 66426 | Wire Tie | 43 | 188784 | Debris Shield |
| 9 | 180479 | Kit, Rear Door (Includes Key Numbers 16 and 17) | 44 | 176710 | Kit, Lawn Mower Housing |
| 10 | 128415 | Pop Rivet | 45 | 107339X | Danger Decal |
| 11 | 175069X479 | Support Bracket, LH | 46 | 189179 | Blade Adapter / Pulley |
| 12 | 175070X479 | Support Bracket, RH | 47 | 189028 | Blade, 21" |
| 13 | 17060410 | Screw 1/4-20 x 5/8 | 48 | 851074 | Hardened Washer |
| 14 | 175082X479 | Handle Bracket Assembly, LH | 49 | 850263 | Helical Washer 3/8-24 x 1-3/8 Grade 8 |
| 15 | 175081X479 | Handle Bracket Assembly, RH | 50 | 851084 | Hex Head Machine Screw 3/8-24 x 1-3/8 Grade 8 |
| 16 | 180071 | Spring, LH | 51 | 111190X | Clamp |
| 17 | 180072 | Spring, RH | 52 | 83816 | Screw |
| 18 | 132004 | Nut, Hex | 53 | 170294 | Throttle Control |
| 19 | 179585 | Rope Guide | 54 | 183365 | Screw |
| 20 | 189005 | Rear Skirt | 59 | 175071 | Discharge Deflector |
| 21 | 88652 | Hinge Screw 1/4-20 x 1-1/4 | 60 | 175735 | Hinge Bracket |
| 24 | --- | Engine, Briggs & Stratton, Model Number 123K02 (For engine service and replacement parts, call Briggs & Stratton at 1-800-233-3723) | 61 | 175285 | Spring |
| 25 | 150406 | Hex Head Thread Rolling Screw 3/8-16 x 1-1/8 | 62 | 175650 | Rod, Hinge |
| 26 | 83923 | Hex Flange Nut | 63 | 73800400 | Keys Locknut 1/4-20 |
| 27 | 180406 | Wheel | 64 | 175066 | Mulcher Door |
| 28 | 189312 | Shoulder Bolt | -- | 162300 | Warning Decal (not shown) |
| 30 | 186575X004 | Axle Arm Assembly, RR | -- | 172787 | Operator's Manual, English |
| 31 | 170143 | Selector Knob | -- | 172788 | Operator's Manual, French |
| 32 | 175060X004 | Selector Spring | -- | 192366 | Replacement Parts Manual, English / French |

NOTE: All component dimensions given in U.S. inches.
1 inch = 25.4 mm

ROTARY LAWN MOWER -- MODEL NUMBER PR65Y21CD



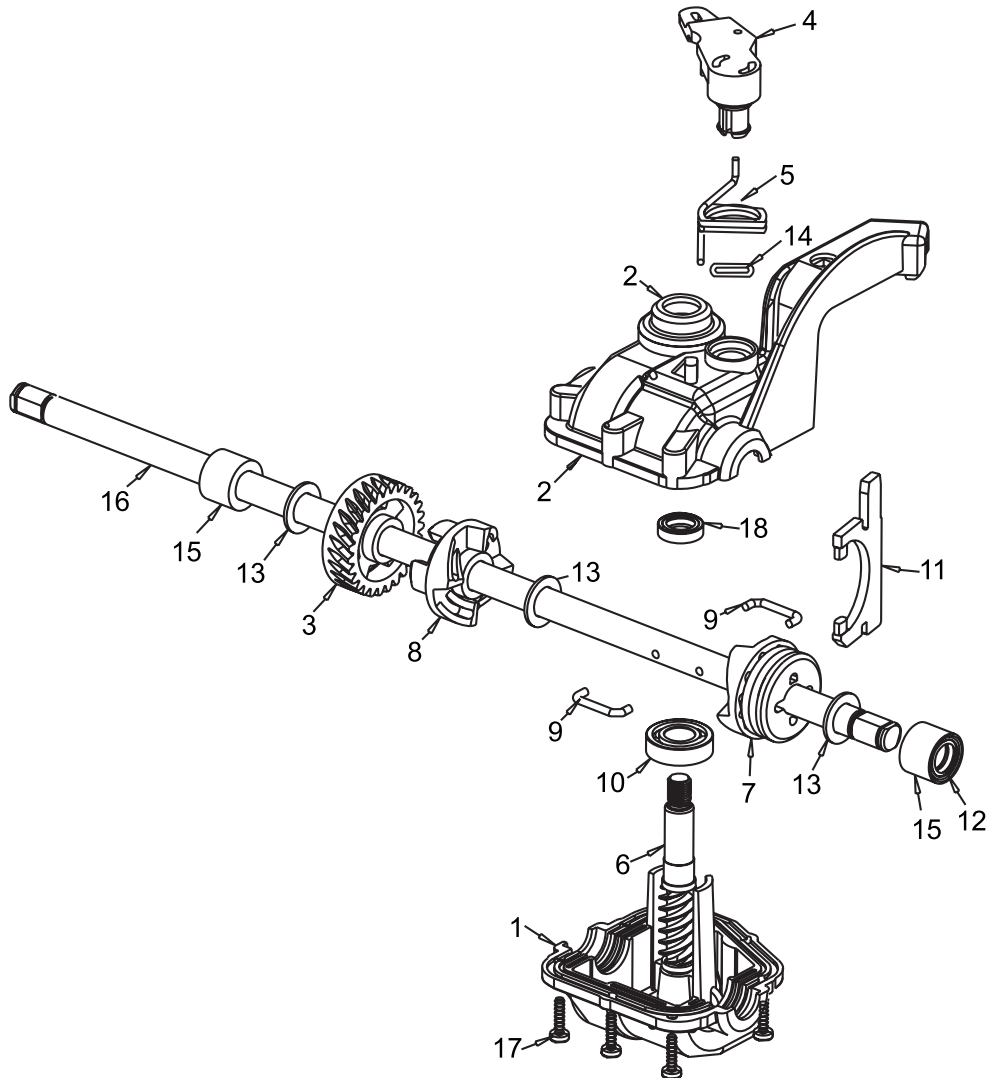
ROTARY LAWN MOWER -- MODEL NUMBER PR65Y21CD

| KEY NO. | PART NO. | DESCRIPTION | KEY NO. | PART NO. | DESCRIPTION |
|---------|----------|---------------------------------------|---------|----------|--|
| 1 | 184587 | Control Cable Assembly | 28 | 181466 | Dive Cover |
| 2 | 167387 | Bearing, Wheel Adjuster | 31 | 132010 | Hex Flange Nut |
| 3 | 191730 | Locknut #10-24 | 32 | 189407 | Drive Pulley |
| 4 | 158755 | Hex Washer Head Screw 1/4-20 x 2.12 | 35 | 172291 | Kit, Wheel Adjuster, LH (Includes Knob and Bearing) |
| 5 | 175436 | V-Belt | 36 | 180184 | Gear Case Assembly (See Breakdown) |
| 6 | 150495 | Spring Retainer | 37 | 137090 | Spring |
| 8 | 77400 | Hubcap | 38 | 73800400 | Locknut, Hex 1/4-20 |
| 9 | 145212 | Locknut | 41 | 172290 | Kit, Wheel Adjuster, RH (Includes Knob and Bearing) |
| 11 | 180766 | Wheel & Tire Assembly | 54 | 188985 | Grassbag |
| 12 | 12000058 | E-Ring | 55 | 175739 | Driveshaft Cover |
| 13 | 137054 | Pinion | 57 | 188815 | Frame, Grassbag |
| 14 | 189403 | Dust Cover | | | |
| 16 | 67725 | Washer 1/2 x 1-1/2 x .134 | | | |
| 18 | 170143 | Selector Knob | | | |
| 26 | 175262 | Pan Head Tapping Screw #10-24 x 2-3/4 | | | |

NOTE: All component dimensions given in U.S. inches.
1 inch = 25.4 mm

**ROTARY LAWN MOWER - - MODEL NUMBER PR65Y21CD
GEARCASE ASSEMBLY - - PART NUMBER 180184**

**TONDEUSE À GAZON ROTATIVE - - NUMÉRO DE MODÈLE PR65Y21CD
ENSEMBLE DE LA BOÎTE DE VITESSE - NUMÉRO DE PIÈCE 180184**



**KEY PART
NO. NO.**

| | | |
|----|--------|--|
| 1 | 183497 | Case, Lower |
| 2 | 183498 | Case, Upper |
| 3 | 183499 | Gear, 27 Teeth |
| 4 | 183500 | Lever, Clutch |
| 5 | 183501 | Spring, Return |
| 6 | 183502 | Shaft, Input |
| 7 | 183503 | Dog, Movable |
| 8 | 183504 | Dog, Fixed |
| 9 | 183505 | Wire, Formed |
| 10 | 183506 | Bearing, Ball |
| 11 | 183507 | Fork, Shift |
| 12 | 183508 | Seal, Output Shaft |
| 13 | 183509 | Washer |
| 14 | 183510 | Seal, Case |
| 15 | 183511 | Bushing |
| 16 | 183512 | Shaft, Output |
| 17 | 183513 | Screw |
| 18 | 183514 | Seal, Input Shaft |
| -- | 183404 | Kit, Gearcase Replacement (Includes Instructions) |

DESCRIPTION

| |
|---|
| Boîte, Inférieur |
| Boîte, Supérieur |
| Engrenage, 27 Dents |
| Levier d'embrayage |
| Ressort de Rappel |
| Arbre d'entrée |
| Griffe, Amovible |
| Griffe, Fixe |
| Fil à Pince |
| Palier |
| Fourchette de Changement de Vitesse |
| Sceau, Arbre de Sortie |
| Rondelle |
| Sceau, Boîte |
| Douille |
| Arbre de Sortie |
| Vis |
| Sceau, Arbre d'entrée |
| Jeu, Remplacer, Boîte de Vitesse (Y compris le instructions) |

NOTE: Use Dow Corning #709
to reseal Gear Case Halves.

REMARQUE: Utilizer Dow Corning #709
pour Sceau les Boîtes.