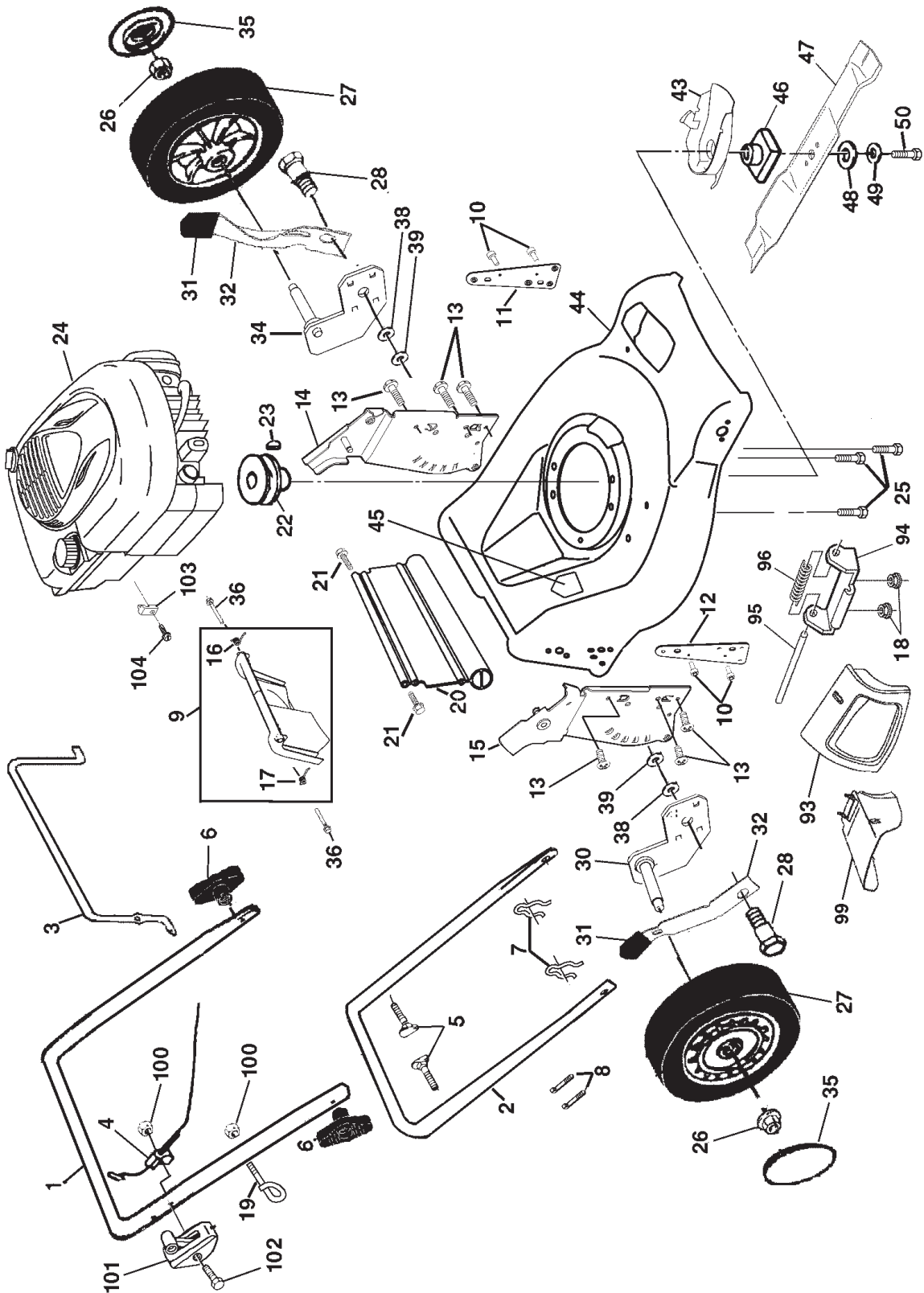


ROTARY LAWN MOWER -- MODEL NUMBER PR65Y21CB

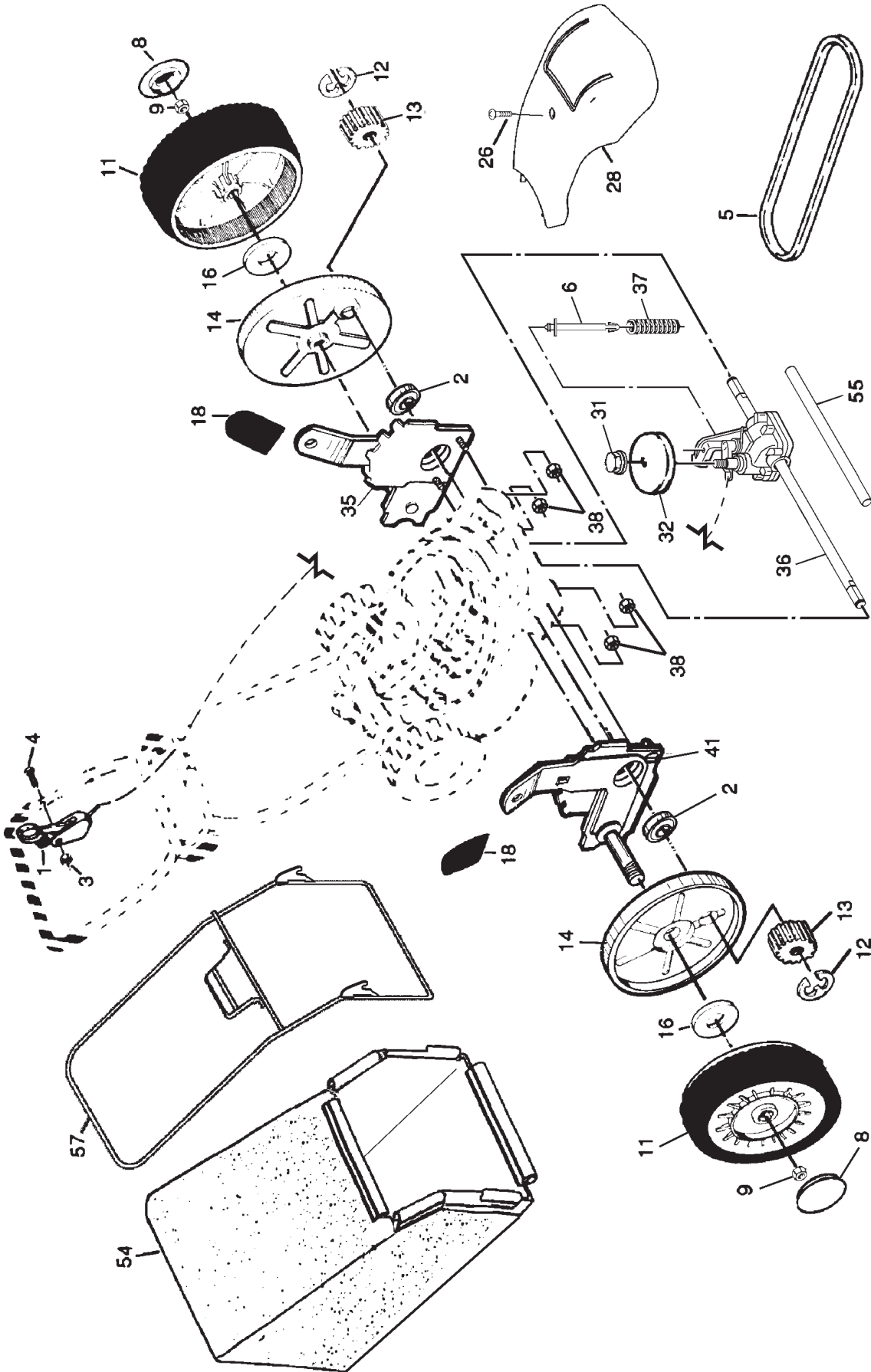


**ROTARY LAWN MOWER -- MODEL NUMBER PR65Y21CB**

KEY NO.	PART NO.	DESCRIPTION	KEY NO.	PART NO.	DESCRIPTION
1	166862X479	Upper Handle	32	175060X004	Selector Spring
2	151721X479	Lower Handle	34	165762X004	Axle Arm Assembly LR
3	170287	Control Bar	35	180660	Hubcap
4	133107	Engine Zone Control Cable	36	<b>184193</b>	Bolt
5	131959	Handle Bolt	38	176185	Washer
6	170146	Handle Knob	39	176235	Push Nut
7	51793	Hairpin Cotter	43	175083	Bottom Belt Cover
8	66426	Wire Tie	44	176710	Lawn Mower Housing
9	180479	Rear Door Kit (Incl. Key #16 & 17)	45	107339X	Danger Decal
10	128415	Pop Rivet	46	851514	Blade Adapter
11	175069X479	Support Bracket LH	47	175064	Blade 21"
12	175070X479	Support Bracket RH	48	851074	Hardened Washer
13	17060410	Screw 14-20 x 5/8	49	850263	Helical Washer 3/8-24 x 1-3/8 Gr. 8
14	175082X479	Handle Bracket Assembly (Left)	50	851084	Hex Head Machine Screw 3/8-24 x 1-3/8 Gr. 8
15	175081X479	Handle Bracket Assembly (Right)	93	175066	Mulcher Door
16	180071	Spring LH	94	175735	Hinge Bracket
17	180072	Spring RH	95	175285	Spring
18	63601	Keps Locknut 1/4-20	96	175650	Rod, Hinge
19	179585	Rope Guide	99	175071	Discharge Deflector
20	178398	Rear Skirt	100	132004	Nut, Hex
21	88652	Hinge Screw 1/4-20 x 1-1/4	101	170294	Throttle Control
22	84596	Engine Pulley	102	144929	Screw
23	87677	Hi-Pro Key #505	103	111190X	Clamp
24	---	Engine, Briggs & Stratton, Model No. 123K02 (order parts from engine manufacturer)	104	83816	Screw
25	150406	Hex Head Thread Rolling Srew 3/8-16 x 1-1/8	--	162300	Warning Decal (Not Shown)
26	83923	Hex Flange Nut	--	172787	Operator's Manual, English
27	167628	Wheel	--	172788	Operator's Manual, French
28	175231	Shoulder Bolt	--	<b>186098</b>	Replacement Parts Manual, English/French
30	165761X004	Axle Arm Assembly RR			
31	170143	Selector Knob			

**NOTE:** All component dimensions given in U.S. inches.  
1 inch = 25.4 mm

ROTARY LAWN MOWER -- MODEL NUMBER PR65Y21CB



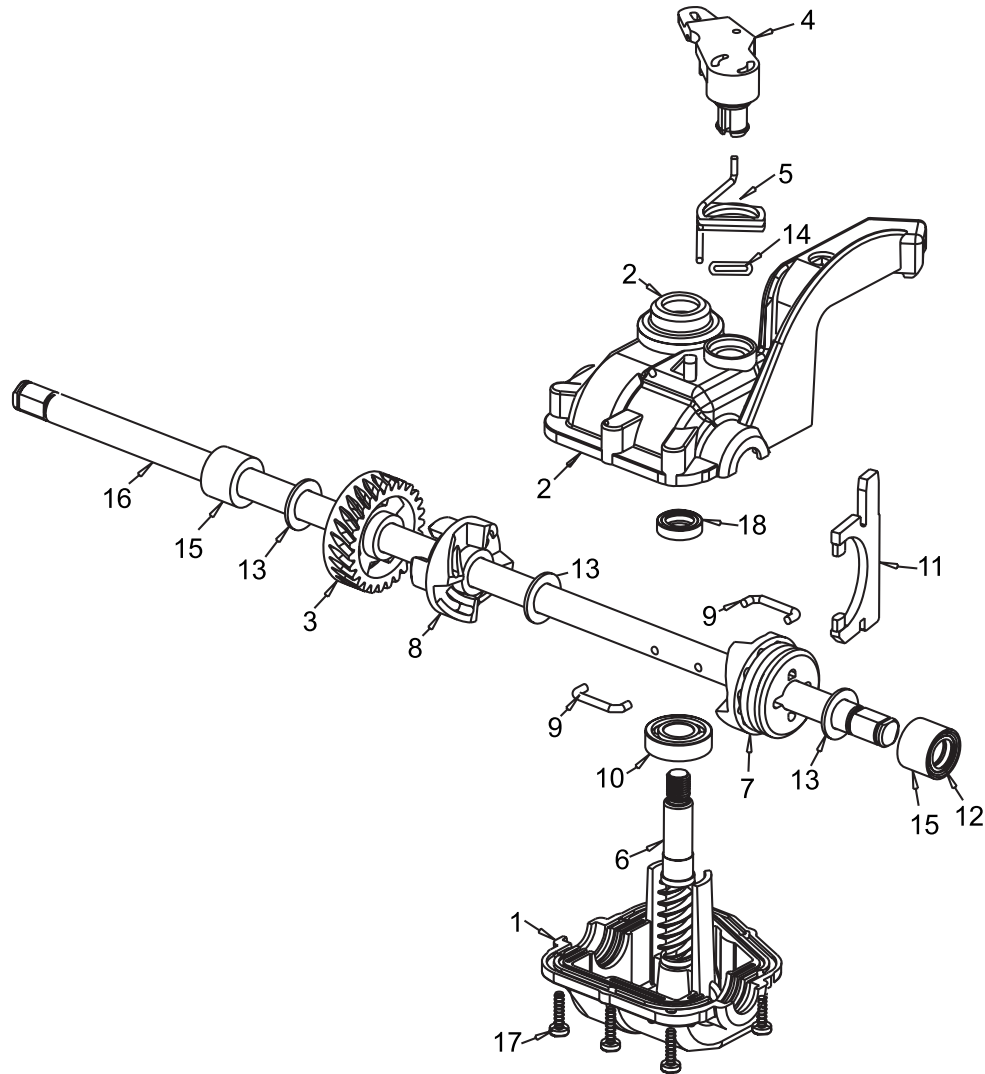
**ROTARY LAWN MOWER -- MODEL NUMBER PR65Y21CB**

KEY NO.	PART NO.	DESCRIPTION	KEY NO.	PART NO.	DESCRIPTION
1	<b>184587</b>	Control Cable Assembly	28	181466	Dive Cover
2	<b>167387</b>	Bearing, Wheel Adjuster	31	132010	Hex Flange Nut
3	751152	Locknut #10-24	32	137052	Drive Pulley
4	158755	Hex Washer Head Screw 1/4-20 x 2.12	35	172291	Kit, Wheel Adjuster, LH (Includes Knob and Bearing)
5	175436	V-Belt	36	<b>180184</b>	Gear Case Assembly (See Breakdown)
6	150495	Spring Retainer	37	137090	Spring
8	180660	Hubcap	38	63601	Locknut 1/4-20
9	145212	Locknut	41	172290	Kit, Wheel Adjuster, RH (Includes Knob and Bearing)
11	180767	Wheel & Tire Assembly	54	<b>186027</b>	Grassbag Assembly
12	12000058	E-Ring	55	175739	Driveshaft Cover
13	137054	Pinion	57	<b>183993</b>	Frame
14	180504	Dust Cover			
16	67725	Washer 1/2 x 1-1/2 x .134			
18	170143	Selector Knob			
26	175262	Pan Head Tapping Screw #10-24 x 2-3/4			

**NOTE:** All component dimensions given in U.S. inches.  
1 inch = 25.4 mm

**ROTARY LAWN MOWER - - MODEL NUMBER PR65Y21CB  
GEARCASE ASSEMBLY - - PART NUMBER 180184**

**TONDEUSE À GAZON ROTATIVE - - NUMÉRO DE MODÈLE PR65Y21CB  
ENSEMBLE DE LA BOÎTE DE VITESSE - NUMÉRO DE PIÈCE 180184**



**KEY PART  
NO. NO.**

1	183497	Case, Lower
2	183498	Case, Upper
3	183499	Gear, 27 Teeth
4	183500	Lever, Clutch
5	183501	Spring, Return
6	183502	Shaft, Input
7	183503	Dog, Movable
8	183504	Dog, Fixed
9	183505	Wire, Formed
10	183506	Bearing, Ball
11	183507	Fork, Shift
12	183508	Seal, Output Shaft
13	183509	Washer
14	183510	Seal, Case
15	183511	Bushing
16	183512	Shaft, Output
17	183513	Screw
18	183514	Seal, Input Shaft
--	183404	Kit, Gearcase Replacement (Includes Instructions)

**DESCRIPTION**

Boîte, Inférieur
Boîte, Supérieur
Engrenage, 27 Dents
Levier d'embrayage
Ressort de Rappel
Arbre d'entrée
Griffe, Amovible
Griffe, Fixe
Fil à Pince
Palier
Fourchette de Changement de Vitesse
Sceau, Arbre de Sortie
Rondelle
Sceau, Boîte
Douille
Arbre de Sortie
Vis
Sceau, Arbre d'entrée
Jeu, Remplacer, Boîte de Vitesse (Y compris le instructions)

**NOTE:** Use Dow Corning #709  
to reseal Gear Case Halves.

**REMARQUE:** Utilizer Dow Corning #709  
pour Sceau les Boîtes.